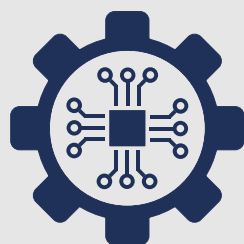


INDUSTRIAL SENSOR GROUP

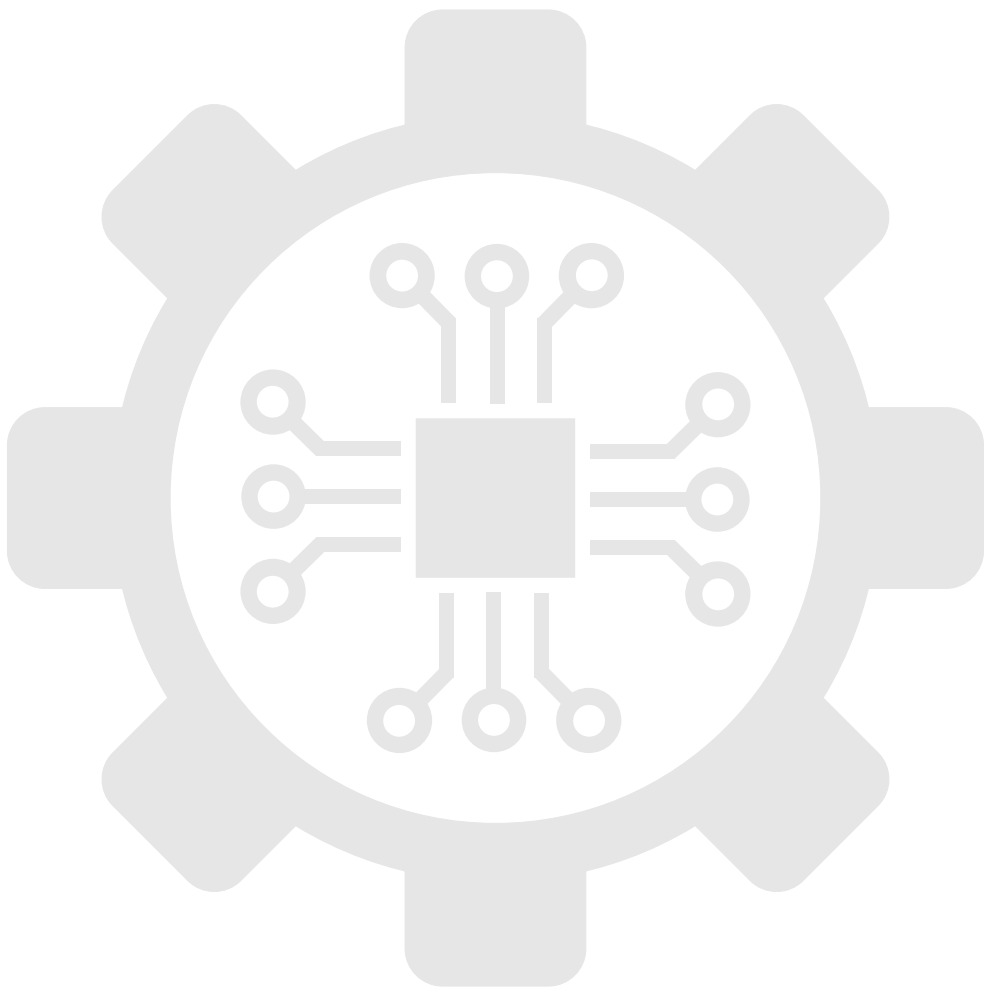
PRODUCT CATALOGUE



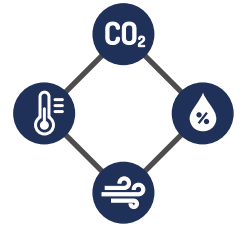
**ems**  
kontrol

“ACCURATE MEASUREMENT, ACCURATE CONTROL”

© 2023 - Ems Kontrol - All Rights Reserved



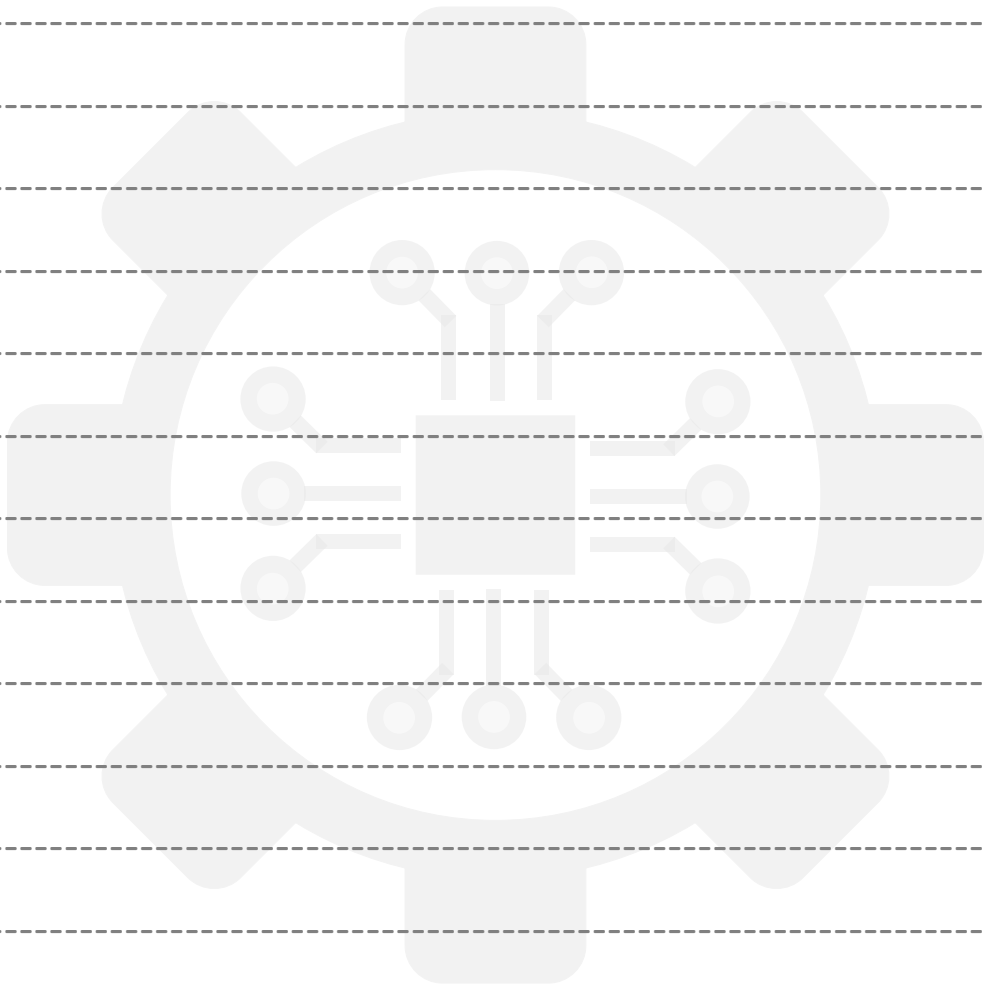
**“ACCURATE MEASUREMENT, ACCURATE CONTROL”**



## INDEX

- SENSORS.....5-6
- TRANSMITTERS WITH AND WITHOUT DISPLAY.....7-33
- PORTABLE SENSORS.....34-42
- CONTROL DEVICES.....43-55
- PANEL TYPE CONTROL DEVICES.....56-64
- MODBUS PROTECTION CARD.....65
- DIFFERENTIAL PRESSURE SWITCH.....66
- CAPACITIVE SENSORS.....67
- WIRELESS SENSORS.....68-70
- OPTIONS & APPARATUS.....71-72
- SPARE PARTS & ACCESSORIES.....73
- OUR DOCUMENTS.....74

# NOTES





## TS-1XX // TEMPERATURE SENSOR

- Accurate and Precise Measuring
- Long Operating Life
- Easy Assembling
- Extendable Sensor on Demand \*

\* In our TS-111 and TS-112 Temperature sensors, Sensor cable length can be changed (0-10 m) according to demand. Metal probe length can be selected as 50 mm or 100 mm.



### TECHNICAL SPECIFICATIONS

Product Informations	
Product Name	TS-1XX Temperature Sensor
Sensor Type	NTC-10K / NTC-30K / PT-100 / PT-1000

Product Code	Sensor Type
TS-110	NTC-10K (Plastic Probe)
TS-111	NTC-10K
TS-112	NTC-10K
TS-121	PT-100
TS-131	PT-1000

Sensor Type	Measuring Range	Beta Value	Sensitivity	Accuracy
NTC-10K	-40...+80 °C	B25/85 - 3435K	± 0,1 °C	± 0,5 %
NTC-30K	-40...+80 °C	B0/50 - 3892K	± 0,1 °C	± 0,5 %

Sensor Type	Measuring Range	Cable Cross Section + Length	Sensitivity	Accuracy
PT-100	-50...+200 °C	5x50 + 1 m	± 0,1 °C	± 0,5 %
PT-1000	-50...+200 °C	5x50 + 1 m	± 0,1 °C	± 0,1 %





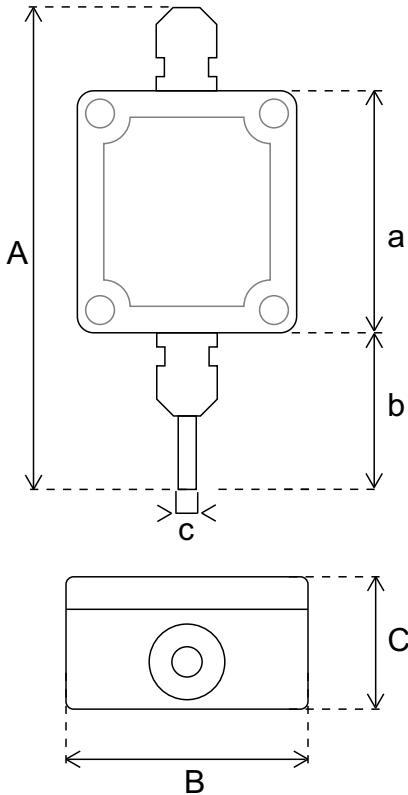
## TS-31X // TEMPERATURE SENSOR

- Accurate and Precise Measuring
- Long Operating Life
- Easy Assembling
- IP 67 Plastic Case
- Extendable Sensor on Demand \*

\* Sensor cable length can be changed (0-10 m) according to demand.  
Metal probe length can be selected as 50 mm or 100 mm.



### TECHNICAL SPECIFICATIONS



Product Informations	
Product Name	TS-31X Temperature Sensor
Sensor Type	NTC-10K / NTC-30K / PT-100 / PT-1000
M. Range	-40...+80 °C

Product Code	Sensor Type	Beta Value	Sensitivity	Accuracy
TS-311	NTC-10K	B25/85 - 3435K	± 0,1 °C	± 0,5 %
TS-312	NTC-30K	B0/50 - 3892K	± 0,1 °C	± 0,5 %
TS-321	PT-100	-	± 0,1 °C	± 0,5 %
TS-331	PT-1000	-	± 0,1 °C	± 0,1 %

Boyutlar / Dimensions					
A	B	C	a	b	c
135 mm	58 mm	35 mm	64 mm	50 mm	6 mm



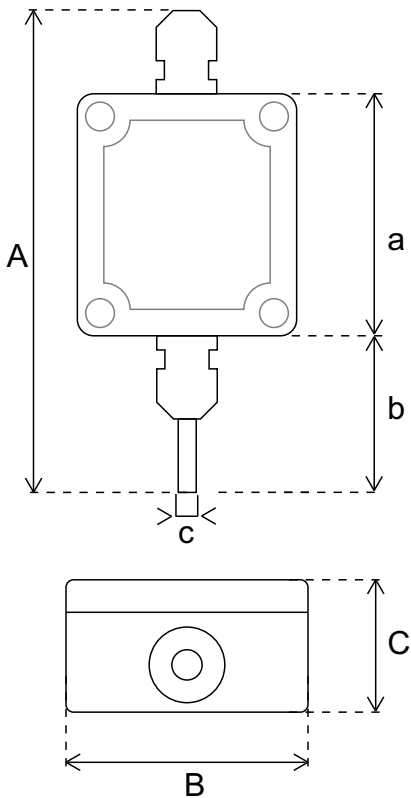
## TT-3XX // TEMPERATURE TRANSMITTER

- Accurate and Precise Measuring
- Analog Output
- Long Operating Life
- Easy Assembling
- IP 67 Plastic Case

\* Sensor cable length can be changed (0-10 m) according to demand.  
Metal probe length can be selected as 50 mm or 100 mm.



### TECHNICAL SPECIFICATIONS



Product Informations	
Product Name	TT-3XX Temperature Transmitter
Input	12-24 V DC
Output	0-10 V / 2-10 V / 0-3 V / 4-20 mA / 0-20 mA / Modbus RTU

P. Code	Sensor Type	Beta Value	Output Range	Sensitivity	Accuracy
TT-3X1	NTC-10K	B25/85 - 3435K	0-50°C / 0-100°C -20...+80 °C -40...+100 °C	± 0,1 °C	± 0,5 °C
TT-3X5	PT-1000	-	0-50°C / 0-100°C -20...+80 °C -40...+150 °C	± 0,1 °C	± 0,1 °C

Product Code	Output Signal	Dimensions		
		A	B	C
TT-30X	0-10 V / 2-10 V / 0-3 V	135 mm	58 mm	35 mm
TT-34X	4-20 mA / 0-20 mA	a	b	c
TT-36X	Modbus RTU	64 mm	50 mm	6 mm



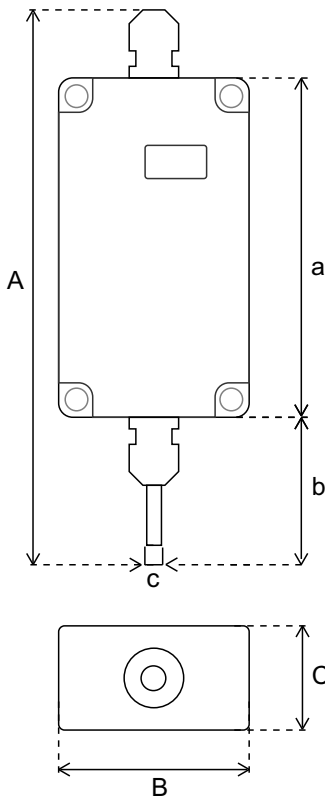
## TT-4XX // TEMPERATURE TRANSMITTER WITH DISPLAY

- Accurate and Precise Measuring
- Analog Output
- Long Operating Life
- Easy Assembling
- IP 67 Plastic Case



\* Sensor cable length can be changed (0-10 m) according to demand.  
Metal probe length can be selected as 50 mm or 100 mm.

### TECHNICAL SPECIFICATIONS



Product Informations	
Product Name	TT-4XX Temperature Transmitter with Display
Input	12-24 V DC
Output	0-10 V / 2-10 V / 0-3 V / 4-20 mA / 0-20 mA / Modbus RTU

P. Code	Sensor Type	Beta Value	Output Range	Sensitivity	Accuracy
TT-4X1	NTC-10K	B25/85 - 3435K	0-50°C / 0-100°C -20...+80 °C -40...+100 °C	± 0,1 °C	± 0,5 °C
TT-4X5	PT-1000	-	0-50°C / 0-100°C -20...+80 °C -40...+150 °C	± 0,1 °C	± 0,1 °C

Product Code	Output Signal	Dimensions		
		A	B	C
TT-40X	0-10 V / 2-10 V / 0-3 V	187 mm	65 mm	40 mm
TT-44X	4-20 mA / 0-20 mA	a	b	c
TT-46X	Modbus RTU	115 mm	50 mm	6 mm

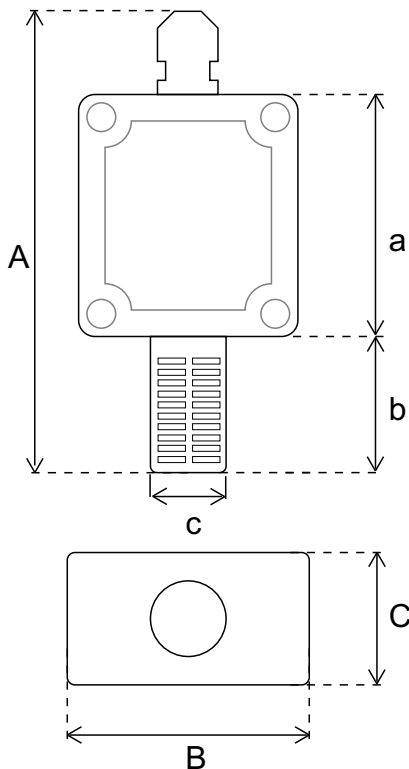


**ST-3XX // TEMPERATURE & HUMIDITY TRANSMITTER / NT-3XX // HUMIDITY TRANSMITTER**

- Accurate and Precise Measuring
- Analog Output
- Long Operating Life
- Cleanable Filter
- Easy Assembling
- IP 67 Plastic Case (Not Including Sensor)



**TECHNICAL SPECIFICATIONS**



Product Informations	
Product Name	ST-3XX Temperature & Humidity Transmitter NT-3XX Humidity Transmitter
Input	12-24 V DC

Sensor	Output Range	Sensitivity	Accuracy
Temperature	0 - 50°C / 0-100 °C -20...+80 °C / -40...+80 °C -40...+100 °C	± 0,1 °C	± 0,3 °C
Humidity	0 - 100 % RH	± 1 % RH	± 3 % RH

Product Code	Output Signal	Dimensions		
		A	B	C
ST-301 / NT-301	0-10 V / 2-10 V / 0-3 V	122 mm	58 mm	35 mm
ST-341 / NT-341	4-20 mA / 0-20 mA	a	b	c
ST-361 / NT-361	Modbus RTU	64 mm	36 mm	20 mm

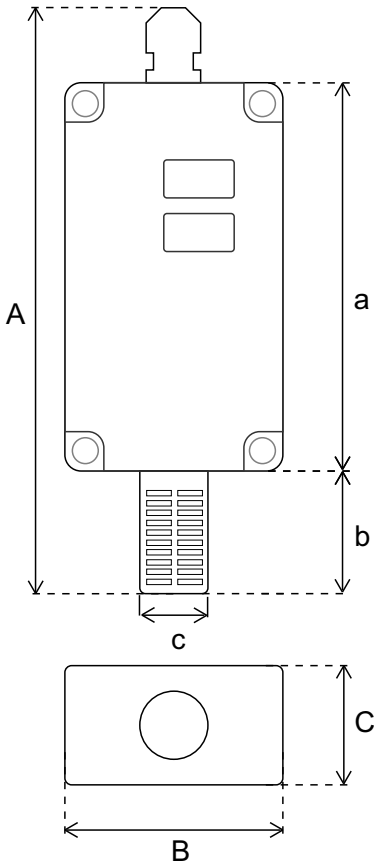


## ST-4XX // TEMPERATURE & HUMIDITY TRANSMITTER WITH DISPLAY

- Accurate and Precise Measuring
- Analog Output
- Durable and Handy Design
- Long Operating Life
- Cleanable Filter
- Easy Assembling
- IP 67 Plastic Case (Not Including Sensor)



### TECHNICAL SPECIFICATIONS



Product Informations	
Product Name	ST-4XX Temperature & Humidity Transmitter with Display
Input	12-24 V DC

Sensor	Output Range	Sensitivity	Accuracy
Temperature	0 - 50 °C / 0-100 °C -20...+80 °C / -40...+80 °C -40...+100 °C	± 0,1 °C	± 0,3 °C
Humidity	0 - 100 % RH	± 1 % RH	± 3 % RH

Product Code	Output Signal	Dimensions		
		A	B	C
ST-401	0-10 V / 2-10 V / 0-3 V	172 mm	65 mm	40 mm
ST-441	4-20 mA / 0-20 mA	a	b	c
ST-461	Modbus RTU	115 mm	36 mm	20 mm





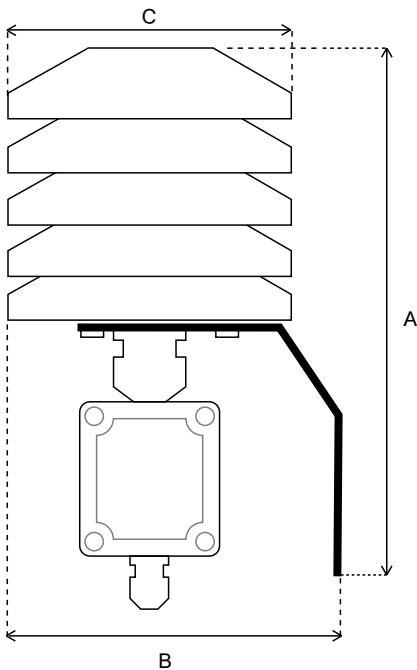
## DT-3XX // OUTSIDE TEMPERATURE & HUMIDITY TRANSMITTER

### OUTSIDE SENSOR

- Radiation and Rain Protection
- Accurate and Precise Measuring
- Analog Output
- Long Operating Life
- Easy Assembling
- IP 67 Plastic Case (Not Including Sensor)



### TECHNICAL SPECIFICATIONS



Product Informations	
Product Name	DT-3XX Outside Temperature & Humidity Transmitter
Input	12-24 V DC
Output	0-10 V / 2-10 V / 0-3 V / 4-20 mA / 0-20 mA / Modbus RTU

Sensor	Output Range	Sensitivity	Accuracy
Temperature	0 - 50 °C / -20...+80 °C	± 0,1 °C	± 0,3 °C
Humidity	0 - 100 % RH	± 1 % RH	± 3 % RH

Product Code	Output Signal
DT-301	0-10 V / 2-10 V / 0-3 V
DT-341	4-20 mA / 0-20 mA
DT-361	Modbus RTU

Dimensions		
A	B	C
258 mm	142 mm	110 mm



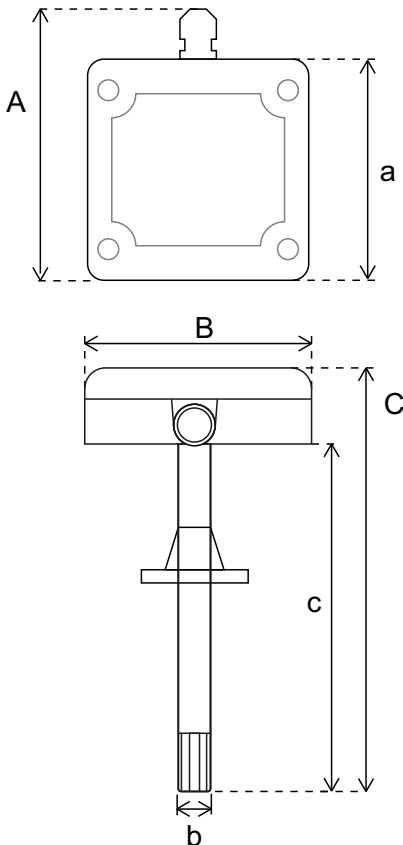
**ST-2XX // TEMPERATURE & HUMIDITY TRANSMITTER / NT-2XX // HUMIDITY TRANSMITTER**

**DUCT TYPE**

- Accurate and Precise Measuring
- Analog Output
- Long Operating Life
- Cleanable Filter
- Easy Assembling
- IP 67 Plastic Case (Not Including Sensor)



**TECHNICAL SPECIFICATIONS**



Product Informations	
Product Name	ST-2XX Temperature & Humidity Duct Type Transmitter NT-2XX Humidity Duct Type Transmitter
Input	12-24 V DC

Sensor	Output Range	Sensitivity	Accuracy
Temperature	0 - 50°C / -20...+80 °C -40...+80 °C	± 0,1 °C	± 0,3 °C
Humidity	0 - 100 % RH	± 1 % RH	± 3 % RH

Product Code	Output Signal	Dimensions		
		A	B	C
ST-201 / NT-201	0-10 V / 2-10 V / 0-3 V	102 mm	80 mm	229 mm
ST-241 / NT-241	4-20 mA / 0-20 mA	a	b	c
ST-261 / NT-261	Modbus RTU	80 mm	15 mm	191 mm

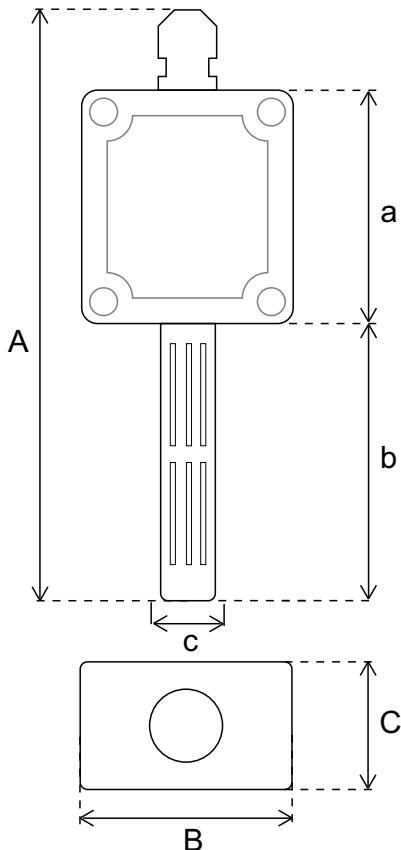


## KT-3X1 // CARBON DIOXIDE (CO<sub>2</sub>) TRANSMITTER

- Accurate and Precise Measuring
- Analog Output
- Durable and Handy Design
- Long Operating Life
- Easy Assembling
- IP 67 Plastic Case (Not Including Sensor)



### TECHNICAL SPECIFICATIONS



Product Informations	
Product Name	KT-3X1 Carbon Dioxide (CO <sub>2</sub> ) Transmitter
Input	12-24 V DC
Output	0-10 V / 2-10 V / 0-3 V / 4-20 mA / 0-20 mA / Modbus RTU

Sensor	Output Range	Sensitivity	Accuracy
Carbon Dioxide (CO <sub>2</sub> )	0 - 5.000 ppm 0 - 10.000 ppm	± 10 ppm	± 50 ppm+%2

Product Code	Output Signal	Dimensions		
		A	B	C
KT-301	0-10 V / 2-10 V / 0-3 V	164 mm	58 mm	35 mm
KT-341	4-20 mA / 0-20 mA	a	b	c
KT-361	Modbus RTU	64 mm	78 mm	16 mm

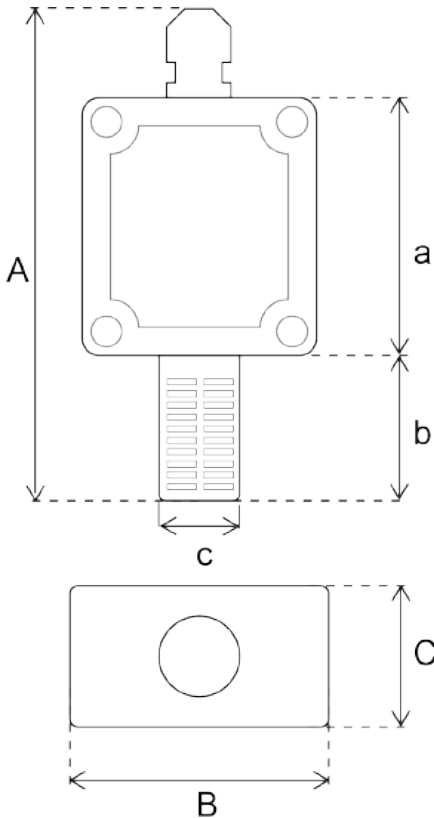


## KT-3X9 // CARBON DIOXIDE (CO<sub>2</sub>) TRANSMITTER

- Accurate and Precise Measuring
- Analog Output
- Durable and Handy Design
- Long Operating Life
- Cleanable Filter
- Easy Assembling
- IP 67 Plastic Case (Not Including Sensor)



### TECHNICAL SPECIFICATIONS



Product Informations	
Product Name	KT-3X9 Carbon Dioxide (CO <sub>2</sub> ) Transmitter
Input	12-24 V DC
Output	0-10 V / 2-10 V / 0-3 V / 4-20 mA / 0-20 mA / Modbus RTU

Sensor	Output Range	Sensitivity	Accuracy
Carbon Dioxide (CO <sub>2</sub> )	0-100 % vol	± 0.2 % vol	± 0.5 % vol

Product Code	Output Signal	Dimensions		
		A	B	C
KT-309	0-10 V / 2-10 V / 0-3 V	122 mm	58 mm	35 mm
KT-349	4-20 mA / 0-20 mA	a	b	c
KT-369	Modbus RTU	64 mm	36 mm	20 mm

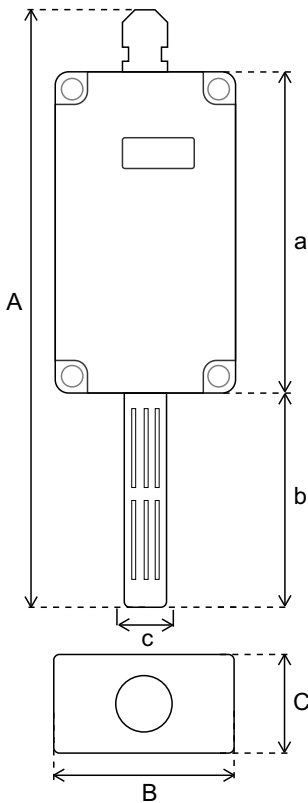


## KT-4X1 // CARBON DIOXIDE (CO<sub>2</sub>) TRANSMITTER WITH DISPLAY

- Accurate and Precise Measuring
- Analog Output
- Durable and Handy Design
- Long Operating Life
- Easy Assembling
- IP 67 Plastic Case (Not Including Sensor)



### TECHNICAL SPECIFICATIONS



Product Informations	
Product Name	KT-4X1 Carbon Dioxide (CO <sub>2</sub> ) Transmitter with Display
Input	12-24 V DC
Output	0-10 V / 2-10 V / 0-3 V / 4-20 mA / 0-20 mA / Modbus RTU

Sensor	Output Range	Sensitivity	Accuracy
Carbon Dioxide (CO <sub>2</sub> )	0 - 5.000 ppm 0 - 10.000 ppm	± 10 ppm	± 50 ppm+%2

Product Code	Output Signal	Dimensions		
		A	B	C
KT-401	0-10 V / 2-10 V / 0-3 V	215 mm	65 mm	40 mm
KT-441	4-20 mA / 0-20 mA	a	b	c
KT-461	Modbus RTU	115 mm	78 mm	16 mm



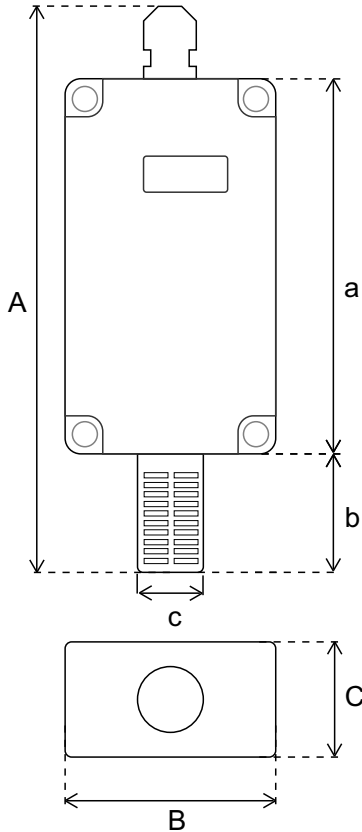


## KT-4X9 // CARBON DIOXIDE (CO<sub>2</sub>) TRANSMITTER WITH DISPLAY

- Accurate and Precise Measuring
- Analog Output
- Durable and Handy Design
- Long Operating Life
- Cleanable Filter
- Easy Assembling
- IP 67 Plastic Case (Not Including Sensor)



### TECHNICAL SPECIFICATIONS



Product Informations	
Product Name	KT-3X9 Carbon Dioxide (CO <sub>2</sub> ) Transmitter with Display
Input	12-24 V DC
Output	0-10 V / 2-10 V / 0-3 V / 4-20 mA / 0-20 mA / Modbus RTU

Sensor	Output Range	Sensitivity	Accuracy
Carbon Dioxide (CO <sub>2</sub> )	0-100 % vol	± 0.2 % vol	± 0.5 % vol

Product Code	Output Signal	Dimensions		
		A	B	C
KT-409	0-10 V / 2-10 V / 0-3 V	172 mm	65 mm	40 mm
KT-449	4-20 mA / 0-20 mA	a	b	c
KT-469	Modbus RTU	115 mm	36 mm	20 mm

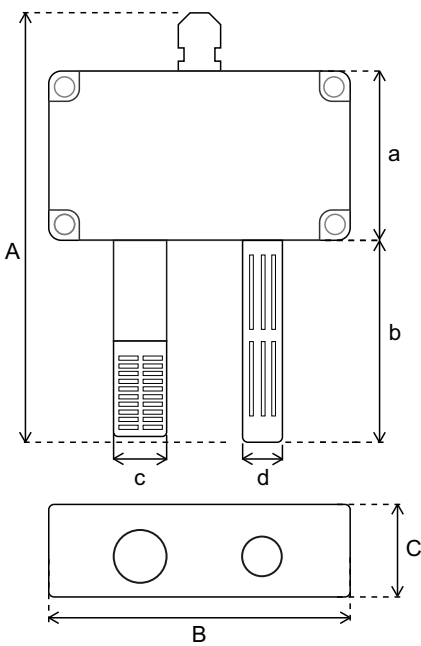


## KT-5X1 // TEMPERATURE, HUMIDITY & CARBON DIOXIDE (CO<sub>2</sub>) TRANSMITTER

- Accurate and Precise Measuring
- Analog Output
- Durable and Handy Design
- Long Operating Life
- Cleanable Filter
- Easy Assembling
- IP 67 Plastic Case (Not Including Sensor)



### TECHNICAL SPECIFICATIONS



Product Informations	
Product Name	KT-5X1 Temperature, Humidity & Carbon Dioxide (CO <sub>2</sub> ) Transmitter
Input	12-24 V DC
Output	0-10 V / 2-10 V / 0-3 V / 4-20 mA / 0-20 mA / Modbus RTU

Sensor	Output Range	Sensitivity	Accuracy
Temperature	0 - 50°C / -20...+80 °C	± 0,1 °C	± 0,3 °C
Humidity	0 - 100 % RH	± 1 % RH	± 3 % RH
Carbon Dioxide (CO <sub>2</sub> )	0 - 5.000 ppm 0 - 10.000 ppm	± 10 ppm	± 50 ppm+%2

Product Code	Output Signal	Dimensions		
		A	B	C
KT-501	0-10 V / 2-10 V / 0-3 V	164 mm	115 mm	40 mm
KT-541	4-20 mA / 0-20 mA	a	b	
KT-561	Modbus RTU	65 mm	78 mm	

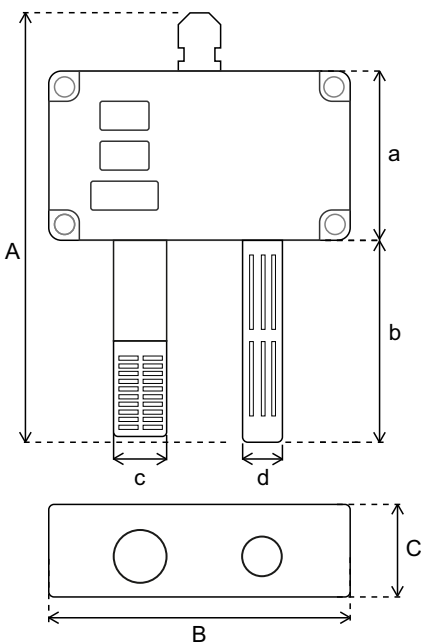


## KT-6X1 // TEMPERATURE, HUMIDITY & CARBON DIOXIDE (CO<sub>2</sub>) TRANSMITTER WITH DISPLAY

- Accurate and Precise Measuring
- Analog Output
- Durable and Handy Design
- Long Operating Life
- Cleanable Filter
- Easy Assembling
- IP 67 Plastic Case (Not Including Sensor)



### TECHNICAL SPECIFICATIONS



Product Informations	
Product Name	KT-6X1 Temperature, Humidity & Carbon Dioxide (CO <sub>2</sub> ) Transmitter with Display
Input	12-24 V DC
Output	0-10 V / 2-10 V / 0-3 V / 4-20 mA / 0-20 mA / Modbus RTU

Sensor	Output Range	Sensitivity	Accuracy
Temperature	0 - 50°C / -20...+80 °C	± 0,1 °C	± 0,3 °C
Humidity	0 - 100 % RH	± 1 % RH	± 3 % RH
Carbon Dioxide (CO <sub>2</sub> )	0 - 5.000 ppm 0 - 10.000 ppm	± 10 ppm	± 50 ppm+%2

Product Code	Output Signal	Dimensions		
		A	B	C
KT-601	0-10 V / 2-10 V / 0-3 V	164 mm	115 mm	40 mm
KT-641	4-20 mA / 0-20 mA	a	b	
KT-661	Modbus RTU	65 mm	78 mm	

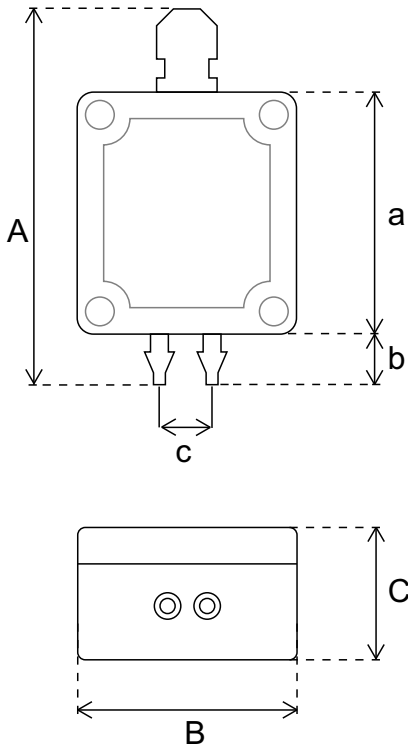


## BT-3X1 / 3X2 // DIFFERENTIAL PRESSURE TRANSMITTER

- Accurate and Precise Measuring
- Analog Output
- Durable and Handy Design
- Long Operating Life
- Easy Assembling
- IP 67 Plastic Case (Not Including Sensor)



### TECHNICAL SPECIFICATIONS



Product Informations	
Product Name	BT-3X1 / 3X2 Differential Pressure Transmitter
Input	12-24 V DC
Output	0-10 V / 2-10 V / 0-3 V / 4-20 mA / 0-20 mA / Modbus RTU

Product Code	Sensor	Output Range	Sensitivity	Accuracy
BT-3X1	Pressure	0-100 Pa / 0-125 Pa -125...+125 Pa	± 1 Pa	± %3
BT-3X2		0-250 Pa / 0-500 Pa -500...+500 Pa		

Product Code	Output Signal	Dimensions		
		A	B	C
BT-301 / 302	0-10 V / 2-10 V / 0-3 V	96 mm	58 mm	35 mm
BT-341 / 342	4-20 mA / 0-20 mA	a	b	c
BT-361 / 362	Modbus RTU	64 mm	10 mm	12 mm

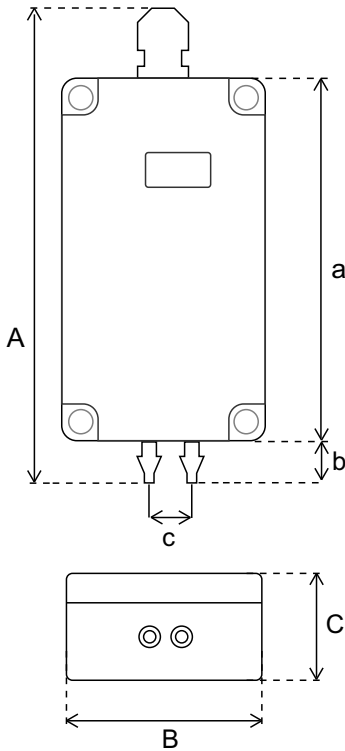


## BT-4X1 / 4X2 // DIFFERENTIAL PRESSURE TRANSMITTER WITH DISPLAY

- Accurate and Precise Measuring
- Analog Output
- Durable and Handy Design
- Long Operating Life
- Easy Assembling
- IP 67 Plastic Case (Not Including Sensor)



### TECHNICAL SPECIFICATIONS



Product Informations	
Product Name	BT-4X1 / 4X2 Differential Pressure Transmitter with Display
Input	12-24 V DC
Output	0-10 V / 2-10 V / 0-3 V / 4-20 mA / 0-20 mA / Modbus RTU

Product Code	Sensor	Output Range	Sensitivity	Accuracy
BT-4X1	Pressure	0-100 Pa / 0-125 Pa -125...+125 Pa	± 1 Pa	± %3
BT-4X2		0-250 Pa / 0-500 Pa -500...+500 Pa		

Product Code	Output Signal	Dimensions		
		A	B	C
BT-401 / 402	0-10 V / 2-10 V / 0-3 V	147 mm	65 mm	40 mm
BT-441 / 442	4-20 mA / 0-20 mA	a	b	c
BT-461 / 462	Modbus RTU	115 mm	10 mm	12 mm

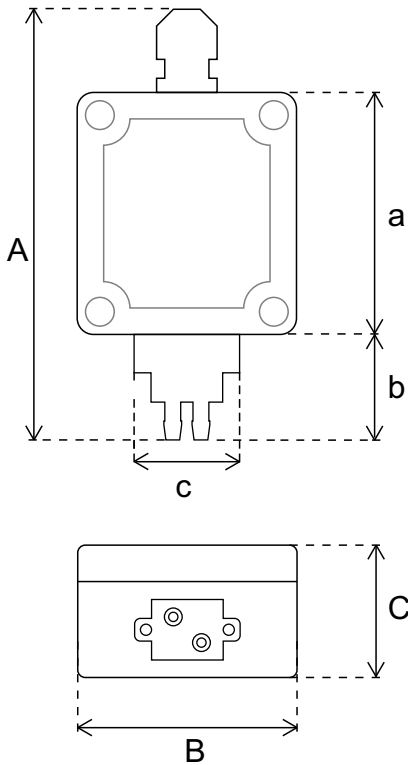


## BT-3X4 / 3X5 // DIFFERENTIAL PRESSURE TRANSMITTER

- Accurate and Precise Measuring
- Analog Output
- Durable and Handy Design
- Long Operating Life
- Easy Assembling
- IP 67 Plastic Case (Not Including Sensor)



### TECHNICAL SPECIFICATIONS



Product Informations	
Product Name	BT-3X4 / 3X5 Differential Pressure Transmitter
Input	12-24 V DC
Output	0-10 V / 2-10 V / 0-3 V / 4-20 mA / 0-20 mA / Modbus RTU

Product Code	Sensor	Output Range	Sensitivity	Accuracy
BT-3X4	Pressure	0-1.000 Pa -1.000...+1.000 Pa	± 10 Pa	± %0,5
BT-3X5		0-5.000 Pa / 0-10.000 Pa -10.000...+10.000 Pa		

Product Code	Output Signal	Dimensions		
		A	B	C
BT-304 / 305	0-10 V / 2-10 V / 0-3 V	114 mm	58 mm	35 mm
BT-344 / 345	4-20 mA / 0-20 mA	a	b	c
BT-364 / 365	Modbus RTU	64 mm	28 mm	28 mm

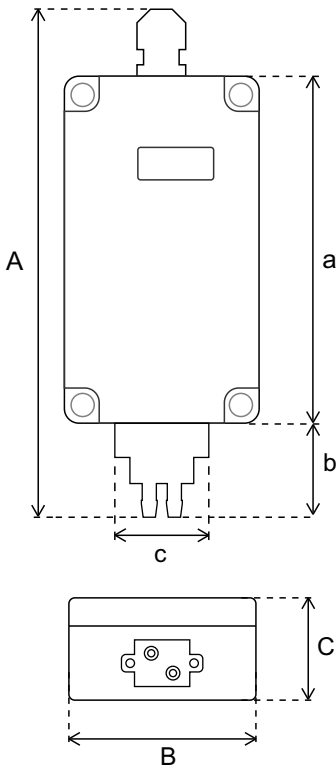


## BT-4X4 / 4X5 // DIFFERENTIAL PRESSURE TRANSMITTER WITH DISPLAY

- Accurate and Precise Measuring
- Analog Output
- Durable and Handy Design
- Long Operating Life
- Easy Assembling
- IP 67 Plastic Case (Not Including Sensor)



### TECHNICAL SPECIFICATIONS



Product Informations	
Product Name	BT-4X4 / 4X5 Differential Pressure Transmitter with Display
Input	12-24 V DC
Output	0-10 V / 2-10 V / 0-3 V / 4-20 mA / 0-20 mA / Modbus RTU

Product Code	Sensor	Output Range	Sensitivity	Accuracy
BT-4X4	Pressure	0-1.000 Pa -1.000...+1.000 Pa	± 10 Pa	± %0,5
BT-4X5		0-5.000 Pa / 0-10.000 Pa -10.000...+10.000 Pa		

Product Code	Output Signal	Dimensions		
		A	B	C
BT-404 / 405	0-10 V / 2-10 V / 0-3 V	165 mm	65 mm	40 mm
BT-444 / 445	4-20 mA / 0-20 mA	a	b	c
BT-464 / 465	Modbus RTU	115 mm	28 mm	28 mm

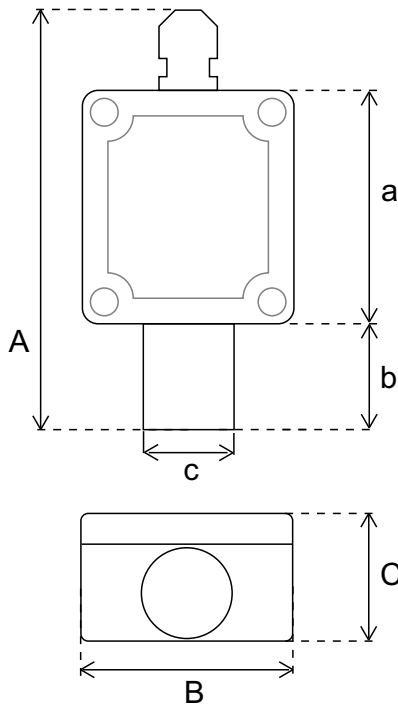


## AT-3XX // AMMONIA (NH<sub>3</sub>) TRANSMITTER

- Accurate and Precise Measuring
- Analog Output
- Durable and Handy Design
- 2 Years Sensor Operating Life
- Easy Replaceable Sensor
- Easy Assembling
- IP 67 Plastic Case (Not Including Sensor)



### TECHNICAL SPECIFICATIONS



Product Informations	
Product Name	AT-3XX Ammonia (NH <sub>3</sub> ) Transmitter
Input	12-24 V DC
Output	0-10 V / 2-10 V / 0-3 V / 4-20 mA / 0-20 mA / Modbus RTU
Sensor Operating Life	2 Years

Sensor	Output Range	Sensitivity	Accuracy
Ammonia (NH <sub>3</sub> )	0-100 ppm	± 1 ppm	± 2 ppm

Product Code	Output Signal	Dimensions		
		A	B	C
AT-301	0-10 V / 2-10 V / 0-3 V	110 mm	58 mm	35 mm
AT-341	4-20 mA / 0-20 mA	a	b	c
AT-361	Modbus RTU	64 mm	24 mm	24 mm

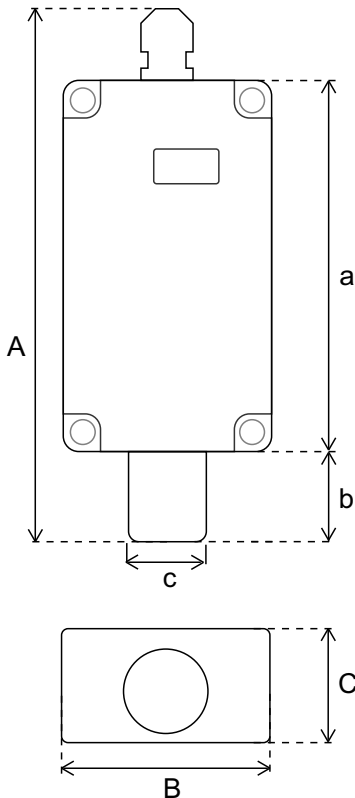


## AT-4XX // AMMONIA (NH<sub>3</sub>) TRANSMITTER WITH DISPLAY

- Accurate and Precise Measuring
- Analog Output
- Durable and Handy Design
- 2 Years Sensor Operating Life
- Easy Replaceable Sensor
- Easy Assembling
- IP 67 Plastic Case (Not Including Sensor)



### TECHNICAL SPECIFICATIONS



Product Informations	
Product Name	AT-4XX Ammonia (NH <sub>3</sub> ) Transmitter with Display
Input	12-24 V DC
Output	0-10 V / 2-10 V / 0-3 V / 4-20 mA / 0-20 mA / Modbus RTU
Sensor Operating Life	2 Years

Sensor	Output Range	Sensitivity	Accuracy
Ammonia (NH <sub>3</sub> )	0-100 ppm	± 1 ppm	± 2 ppm

Product Code	Output Signal	Dimensions		
		A	B	C
AT-401	0-10 V / 2-10 V / 0-3 V	161 mm	65 mm	40 mm
AT-441	4-20 mA / 0-20 mA	a	b	c
AT-461	Modbus RTU	115 mm	24 mm	24 mm

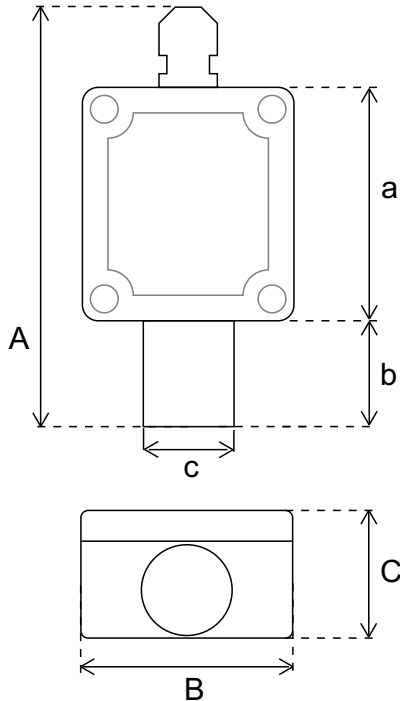


## ET-3XX // ETHYLENE (C<sub>2</sub>H<sub>4</sub>) TRANSMITTER

- Accurate and Precise Measuring
- Analog Output
- Durable and Handy Design
- 2 Years Sensor Operating Life
- Easy Replaceable Sensor
- Easy Assembling
- IP 67 Plastic Case (Not Including Sensor)



### TECHNICAL SPECIFICATIONS



Product Informations	
Product Name	ET-3XX Ethylene (C <sub>2</sub> H <sub>4</sub> ) Transmitter
Input	12-24 V DC
Output	0-10 V / 2-10 V / 0-3 V / 4-20 mA / 0-20 mA / Modbus RTU
Sensor Operating Life	2 Years

Sensor	Output Range	Sensitivity	Accuracy
Ethylene (C <sub>2</sub> H <sub>4</sub> )	0-10 ppm / 0-100 ppm	± 0,1 ppm	± 1 ppm

Product Code	Output Signal	Dimensions		
		A	B	C
ET-301	0-10 V / 2-10 V / 0-3 V	110 mm	58 mm	35 mm
ET-341	4-20 mA / 0-20 mA	a	b	c
ET-361	Modbus RTU	64 mm	24 mm	24 mm

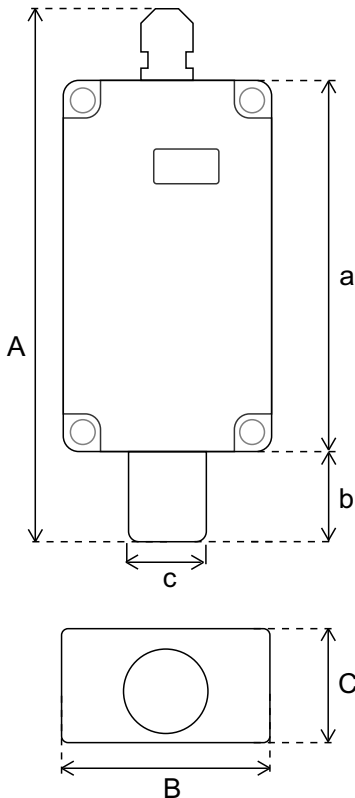


## ET-4XX // ETHYLENE (C<sub>2</sub>H<sub>4</sub>) TRANSMITTER WITH DISPLAY

- Accurate and Precise Measuring
- Analog Output
- Durable and Handy Design
- 2 Years Sensor Operating Life
- Easy Replaceable Sensor
- Easy Assembling
- IP 67 Plastic Case (Not Including Sensor)



### TECHNICAL SPECIFICATIONS



Product Informations	
Product Name	ET-4XX Ethylene (C <sub>2</sub> H <sub>4</sub> ) Transmitter with Display
Input	12-24 V DC
Output	0-10 V / 2-10 V / 0-3 V / 4-20 mA / 0-20 mA / Modbus RTU
Sensor Operating Life	2 Years

Sensor	Output Range	Sensitivity	Accuracy
Ethylene (C <sub>2</sub> H <sub>4</sub> )	0-10 ppm / 0-100 ppm	± 0,1 ppm	± 1 ppm

Product Code	Output Signal	Dimensions		
		A	B	C
ET-401	0-10 V / 2-10 V / 0-3 V	161 mm	65 mm	40 mm
ET-441	4-20 mA / 0-20 mA	a	b	c
ET-461	Modbus RTU	115 mm	24 mm	24 mm



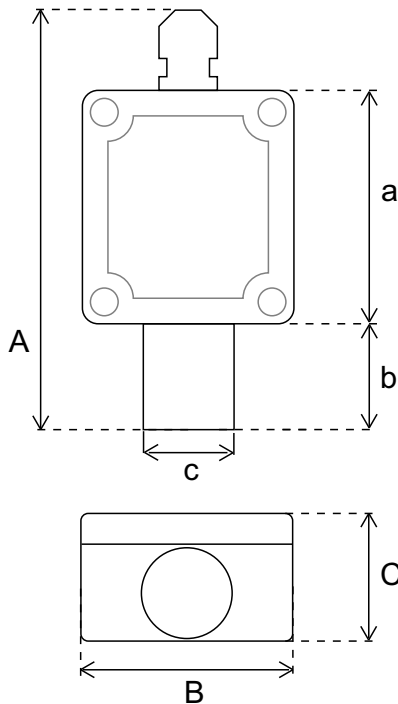


## UT-3XX // SULFUR DIOXIDE (SO<sub>2</sub>) TRANSMITTER

- Accurate and Precise Measuring
- Analog Output
- Durable and Handy Design
- 2 Years Sensor Operating Life
- Easy Replaceable Sensor
- Easy Assembling
- IP 67 Plastic Case (Not Including Sensor)



### TECHNICAL SPECIFICATIONS



Product Informations	
Product Name	UT-3XX Sulfur Dioxide (SO <sub>2</sub> ) Transmitter
Input	12-24 V DC
Output	0-10 V / 2-10 V / 0-3 V / 4-20 mA / 0-20 mA / Modbus RTU
Sensor Operating Life	2 Years

Sensor	Output Range	Sensitivity	Accuracy
Sulfur Dioxide (SO <sub>2</sub> )	0-100 ppm / 0-200 ppm	± 0,1 ppm	± 1 ppm

Product Code	Output Signal	Dimensions		
		A	B	C
UT-301	0-10 V / 2-10 V / 0-3 V	110 mm	58 mm	35 mm
UT-341	4-20 mA / 0-20 mA	a	b	c
UT-361	Modbus RTU	64 mm	24 mm	24 mm

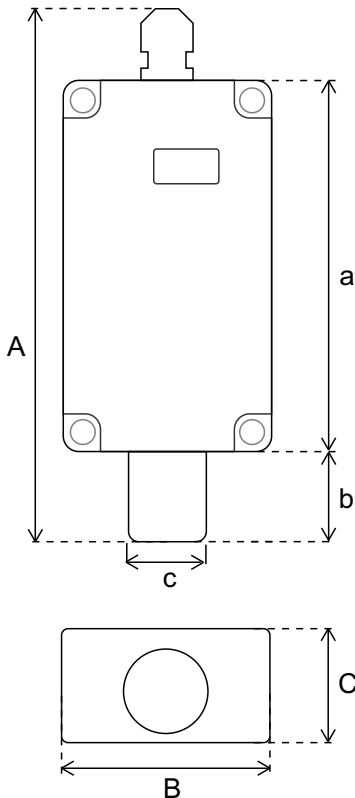


## UT-4XX // SULFUR DIOXIDE (SO<sub>2</sub>) TRANSMITTER WITH DISPLAY

- Accurate and Precise Measuring
- Analog Output
- Durable and Handy Design
- 2 Years Sensor Operating Life
- Easy Replaceable Sensor
- Easy Assembling
- IP 67 Plastic Case (Not Including Sensor)



### TECHNICAL SPECIFICATIONS



Product Informations	
Product Name	UT-4XX Sulfur Dioxide (SO <sub>2</sub> ) Transmitter with Display
Input	12-24 V DC
Output	0-10 V / 2-10 V / 0-3 V / 4-20 mA / 0-20 mA / Modbus RTU
Sensor Operating Life	2 Years

Sensor	Output Range	Sensitivity	Accuracy
Sulfur Dioxide (SO <sub>2</sub> )	0-100 ppm / 0-200 ppm	± 0,1 ppm	± 1 ppm

Product Code	Output Signal	Dimensions		
		A	B	C
UT-401	0-10 V / 2-10 V / 0-3 V	161 mm	65 mm	40 mm
UT-441	4-20 mA / 0-20 mA	a	b	c
UT-461	Modbus RTU	115 mm	24 mm	24 mm

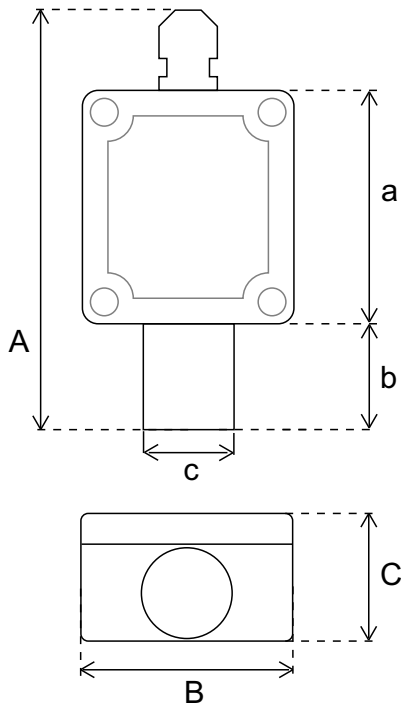


## CT-3XX // CARBON MONOXIDE (CO) TRANSMITTER

- Accurate and Precise Measuring
- Analog Output
- Durable and Handy Design
- 2 Years Sensor Operating Life
- Easy Replaceable Sensor
- Easy Assembling
- IP 67 Plastic Case (Not Including Sensor)



### TECHNICAL SPECIFICATIONS



Product Informations	
Product Name	CT-3XX Carbon Monoxide (CO) Transmitter
Input	12-24 V DC
Output	0-10 V / 2-10 V / 0-3 V / 4-20 mA / 0-20 mA / Modbus RTU
Sensor Operating Life	2 Years

Sensor	Output Range	Sensitivity	Accuracy
Carbon Monoxide (CO)	0-1000 ppm	± 1 ppm	± 5 ppm

Product Code	Output Signal	Dimensions		
		A	B	C
CT-301	0-10 V / 2-10 V / 0-3 V	110 mm	58 mm	35 mm
CT-341	4-20 mA / 0-20 mA	a	b	c
CT-361	Modbus RTU	64 mm	24 mm	24 mm

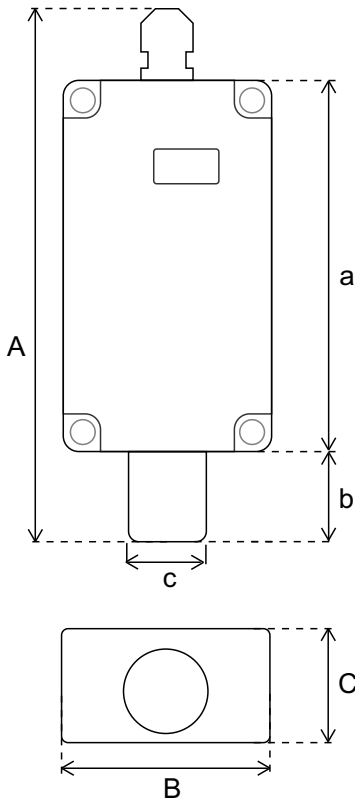


## CT-4XX // CARBON MONOXIDE (CO) TRANSMITTER WITH DISPLAY

- Accurate and Precise Measuring
- Analog Output
- Durable and Handy Design
- 2 Years Sensor Operating Life
- Easy Replaceable Sensor
- Easy Assembling
- IP 67 Plastic Case (Not Including Sensor)



### TECHNICAL SPECIFICATIONS



Product Informations	
Product Name	CT-4XX Carbon Monoxide (CO) Transmitter with Display
Input	12-24 V DC
Output	0-10 V / 2-10 V / 0-3 V / 4-20 mA / 0-20 mA / Modbus RTU
Sensor Operating Life	2 Years

Sensor	Output Range	Sensitivity	Accuracy
Carbon Monoxide (CO)	0-1000 ppm	± 1 ppm	± 5 ppm

Product Code	Output Signal	Dimensions		
		A	B	C
CT-401	0-10 V / 2-10 V / 0-3 V	161 mm	65 mm	40 mm
CT-441	4-20 mA / 0-20 mA	a	b	c
CT-461	Modbus RTU	115 mm	24 mm	24 mm



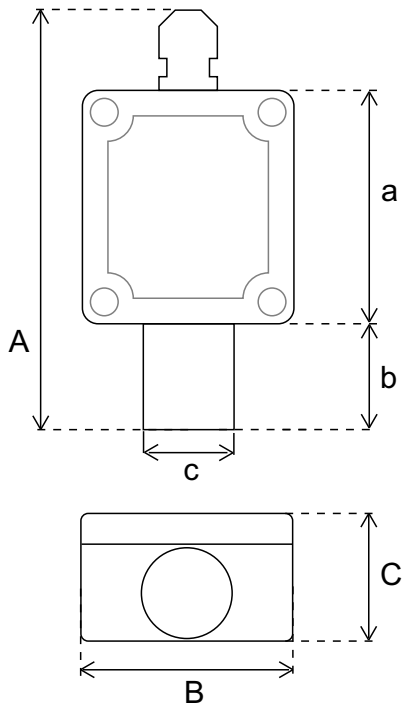


## OT-3XX // OXYGEN (O<sub>2</sub>) TRANSMITTER

- Accurate and Precise Measuring
- Analog Output
- Durable and Handy Design
- 2 Years Sensor Operating Life
- Easy Replaceable Sensor
- Easy Assembling
- IP 67 Plastic Case (Not Including Sensor)



### TECHNICAL SPECIFICATIONS



Product Informations	
Product Name	OT-3XX Oxygen (O <sub>2</sub> ) Transmitter
Input	12-24 V DC
Output	0-10 V / 2-10 V / 0-3 V / 4-20 mA / 0-20 mA / Modbus RTU
Sensor Operating Life	2 Years

Sensor	Output Range	Sensitivity	Accuracy
Oxygen (O <sub>2</sub> )	0-25 % vol	± 0.1 % vol	± 1 % vol

Product Code	Output Signal	Dimensions		
		A	B	C
OT-301	0-10 V / 2-10 V / 0-3 V	110 mm	58 mm	35 mm
OT-341	4-20 mA / 0-20 mA	a	b	c
OT-361	Modbus RTU	64 mm	24 mm	24 mm

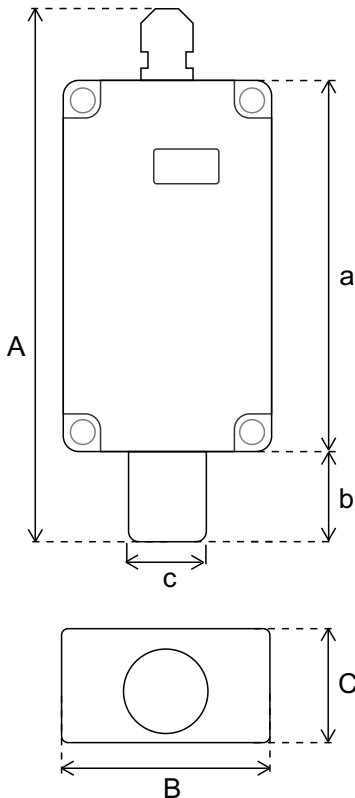


## OT-4XX // OXYGEN (O<sub>2</sub>) TRANSMITTER WITH DISPLAY

- Accurate and Precise Measuring
- Analog Output
- Durable and Handy Design
- 2 Years Sensor Operating Life
- Easy Replaceable Sensor
- Easy Assembling
- IP 67 Plastic Case (Not Including Sensor)



### TECHNICAL SPECIFICATIONS



Product Informations	
Product Name	OT-4XX Oxygen (O <sub>2</sub> ) Transmitter with Display
Input	12-24 V DC
Output	0-10 V / 2-10 V / 0-3 V / 4-20 mA / 0-20 mA / Modbus RTU
Sensor Operating Life	2 Years

Sensor	Output Range	Sensitivity	Accuracy
Oxygen (O <sub>2</sub> )	0-25 % vol	± 0.1 % vol	± 1 % vol

Product Code	Output Signal	Dimensions		
		A	B	C
OT-401	0-10 V / 2-10 V / 0-3 V	161 mm	65 mm	40 mm
OT-441	4-20 mA / 0-20 mA	a	b	c
OT-461	Modbus RTU	115 mm	24 mm	24 mm

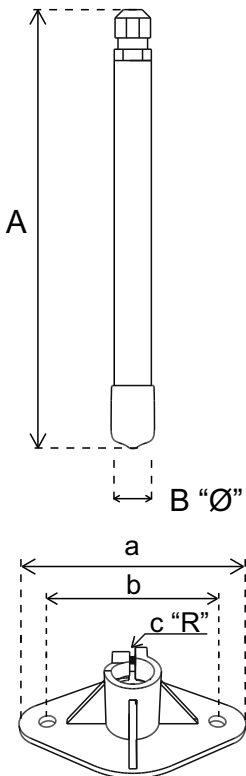


## HT-2XX // AIR VELOCITY TRANSMITTER

- Accurate and Precise Measuring
- Analog Output
- Durable and Handy Design
- Long Operating Life
- Easy Assembling
- IP 67 Plastic Case (Not Including Sensor)



### TECHNICAL SPECIFICATIONS



Product Informations	
Product Name	HT-2XX Air Velocity Transmitter
Input	24 V DC / 12 V DC (HT-202)
Output	0-5 V / 0-10 V / 4-20 mA / Modbus RTU

Sensor	Output Range	Sensitivity	Accuracy
Air Velocity	0 - 10 m/s 0 - 5 m/s (HT-202)	± 0,1 m/s	± 0,2 m/s

Product Code	Output Signal
HT-201 / HT-202	0-10 V / 0-5 V
HT-241	4-20 mA
HT-261	Modbus RTU

Dimensions		
A	B	
167 mm	14 mm	
a	b	c
80 mm	60 mm	7,25 mm



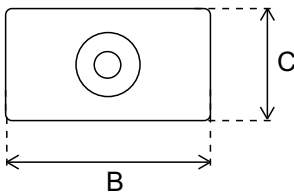
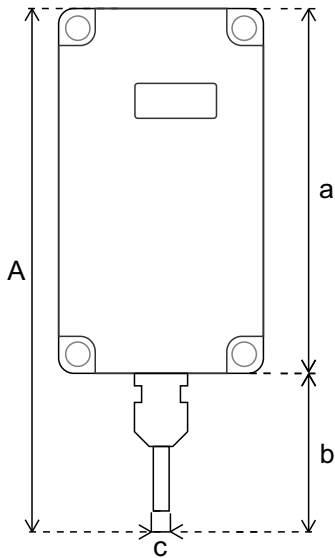
## TS-412 / 413 // PORTABLE TEMPERATURE SENSOR

- Accurate and Precise Measuring
- Internal Battery
- Long Operating Life
- Easy Assembling
- IP 67 Plastic Case



\* Sensor cable length can be changed (0-10 m) according to demand.  
Metal probe length can be selected as 50 mm or 100 mm.

### TECHNICAL SPECIFICATIONS



Product Informations	
Product Name	TS-412 / 413 Portable Temperature Sensor
Input	12-24 V DC

Product Code	Sensor Type	M. Range	Sensitivity	Accuracy
TS-412	NTC-10K	-20...+60 °C	± 0,1 °C	± 0,5 °C
TS-413	1m Kablolu PT-1000	-40...+150 °C	± 0,1 °C	± 0,1 °C

Dimensions					
A	B	C	a	b	c
187 mm	65 mm	40 mm	115 mm	50 mm	6 mm

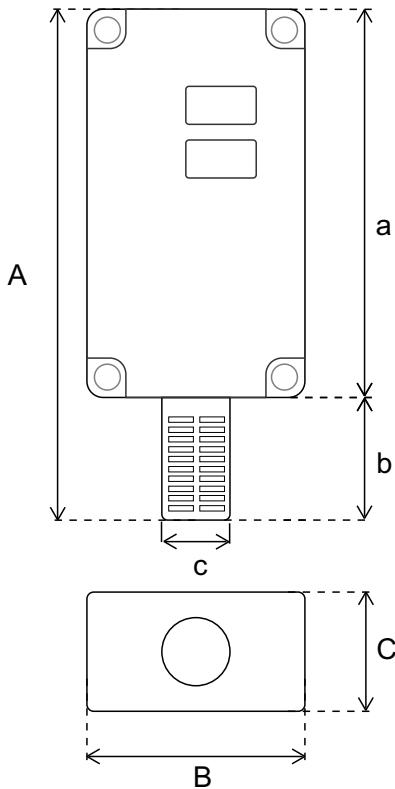


## SS-412 // PORTABLE TEMPERATURE & HUMIDITY SENSOR

- Accurate and Precise Measuring
- Internal Battery
- Durable and Handy Design
- Long Operating Life
- Cleanable Filter
- IP 67 Plastic Case (Not Including Sensor)



### TECHNICAL SPECIFICATIONS



Product Informations	
Product Name	SS-412 Portable Temperature & Humidity Sensor
Input	12 V DC

Sensor	Measuring Range	Sensitivity	Accuracy
Temperature	-20...+60 °C	± 0,1 °C	± 0,3 °C
Humidity	0 - 100 % RH	± 1 % RH	± 3 % RH

Dimensions					
A	B	C	a	b	c
151 mm	65 mm	40 mm	115 mm	36 mm	20 mm

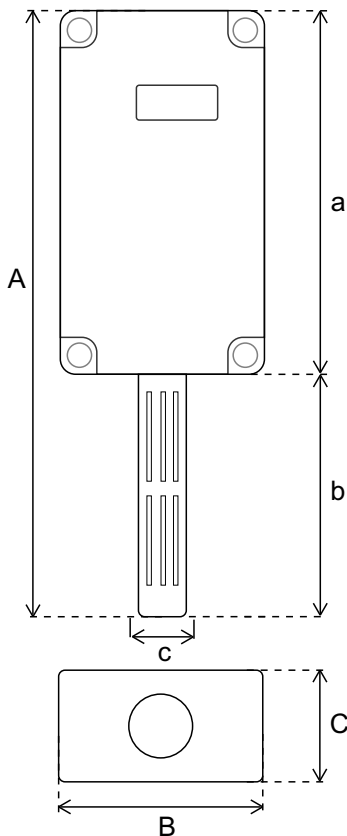


## KS-412 // PORTABLE CARBON DIOXIDE (CO<sub>2</sub>) SENSOR

- Accurate and Precise Measuring
- Internal Battery
- Durable and Handy Design
- Long Operating Life
- IP 67 Plastic Case (Not Including Sensor)



### TECHNICAL SPECIFICATIONS



Product Informations	
Product Name	KS-412 Portable Carbon Dioxide (CO <sub>2</sub> ) Sensor
Input	12 V DC

Sensor	Measuring Range	Sensitivity	Accuracy
Carbon Dioxide (CO <sub>2</sub> )	0 - 10.000 ppm	± 10 ppm	± 50 ppm+%/2

Dimensions					
A	B	C	a	b	c
193 mm	65 mm	40 mm	115 mm	78 mm	16 mm

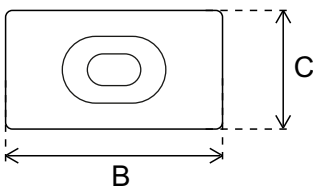
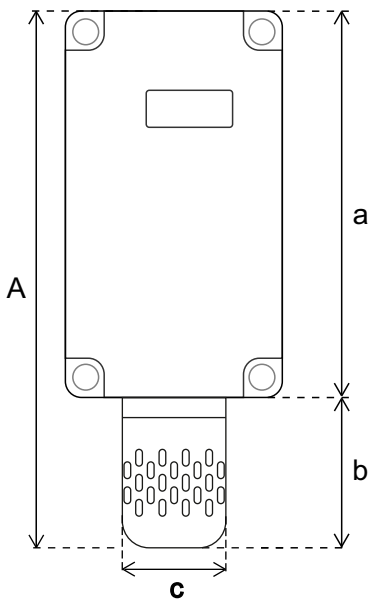


## KS-415 // PORTABLE CARBON DIOXIDE (CO<sub>2</sub>) SENSOR

- Accurate and Precise Measuring
- Internal Battery
- Durable and Handy Design
- Long Operating Life
- Cleanable Filter
- IP 67 Plastic Case (Not Including Sensor)



### TECHNICAL SPECIFICATIONS



Product Informations	
Product Name	KS-415 Portable Carbon Dioxide (CO <sub>2</sub> ) Sensor
Input	12 V DC

Sensor	Measuring Range	Sensitivity	Accuracy
Carbon Dioxide (CO <sub>2</sub> )	0 - 4 % vol	± 10 ppm	± 50 ppm+%/2

Dimensions					
A	B	C	a	b	c
160 mm	65 mm	40 mm	115 mm	45 mm	31 mm



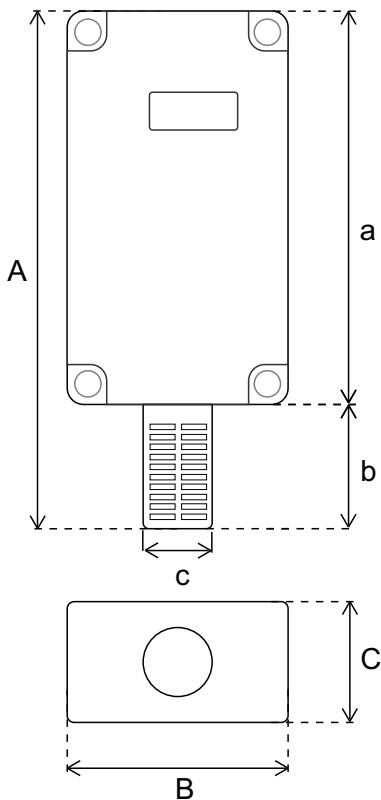


## KS-419 // PORTABLE CARBON DIOXIDE (CO<sub>2</sub>) SENSOR

- Accurate and Precise Measuring
- Internal Battery
- Durable and Handy Design
- Long Operating Life
- Cleanable Filter
- IP 67 Plastic Case (Not Including Sensor)



### TECHNICAL SPECIFICATIONS



Product Informations	
Product Name	KS-419 Portable Carbon Dioxide (CO <sub>2</sub> ) Sensor
Input	12 V DC

Sensor	Measuring Range	Sensitivity	Accuracy
Carbon Dioxide (CO <sub>2</sub> )	0 - 100 % vol	± 0.2 % vol	± 0.5 % vol

Dimensions					
A	B	C	a	b	c
161 mm	65 mm	40 mm	115 mm	36 mm	20 mm

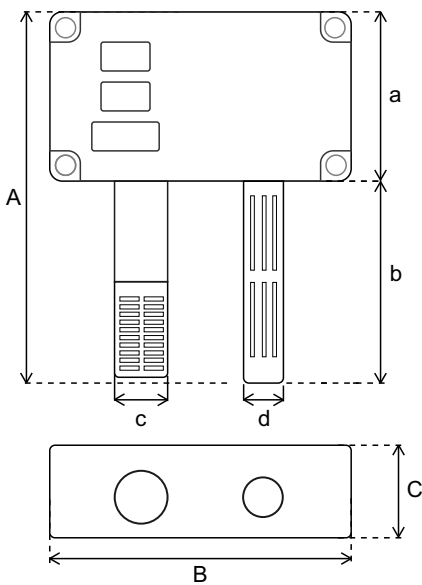


## KS-612 // PORTABLE TEMPERATURE, HUMIDITY & CARBON DIOXIDE SENSOR

- Accurate and Precise Measuring
- Internal Battery
- Durable and Handy Design
- Long Operating Life
- Cleanable Filter
- IP 67 Plastic Case (Not Including Sensor)



### TECHNICAL SPECIFICATIONS



Product Informations	
Product Name	KS-612 Portable Temperature, Humidity & Carbon Dioxide Sensor
Input	12 V DC

Sensor	Measuring Range	Sensitivity	Accuracy
Temperature	-20...+60 °C	± 0,1 °C	± 0,3 °C
Humidity	0 - 100 % RH	± 1 % RH	± 3 % RH
Carbon Dioxide (CO <sub>2</sub> )	0 - 10.000 ppm	± 10 ppm	± 50 ppm+%/2

Dimensions				
A	B	C	a	b
142 mm	115 mm	40 mm	65 mm	78 mm



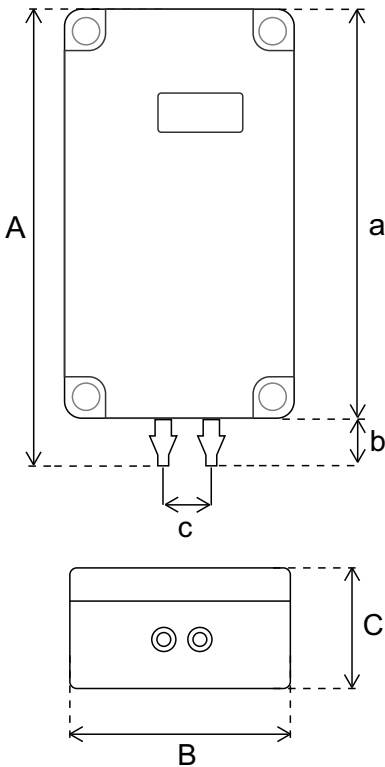


## BS-412 / 413 // PORTABLE DIFFERENTIAL PRESSURE SENSOR

- Accurate and Precise Measuring
- Internal Battery
- Durable and Handy Design
- Long Operating Life
- IP 67 Plastic Case (Not Including Sensor)



### TECHNICAL SPECIFICATIONS



Product Informations	
Product Name	BS-412 / 413 Portable Differential Pressure Sensor
Input	12 V DC

Product Code	Sensor	Measuring Range	Sensitivity	Accuracy
BS-412	Pressure	-125...+125 Pa	± 1 Pa	± %3
BS-413		-500...+500 Pa		

Dimensions					
A	B	C	a	b	c
125 mm	65 mm	40 mm	115 mm	10 mm	12 mm

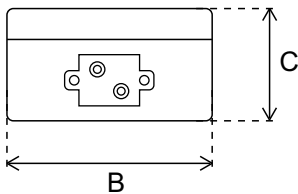
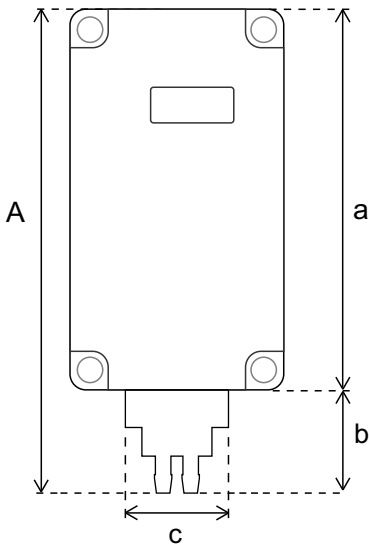


## BS-414 / 415 // PORTABLE DIFFERENTIAL PRESSURE SENSOR

- Accurate and Precise Measuring
- Internal Battery
- Durable and Handy Design
- Long Operating Life
- IP 67 Plastic Case (Not Including Sensor)



### TECHNICAL SPECIFICATIONS



Product Informations	
Product Name	BS-414 / 415 Portable Differential Pressure Sensor
Input	12 V DC

Product Code	Sensor	Measuring Range	Sensitivity	Accuracy
BS-414	Pressure	-1.000...+1.000 Pa	± 10 Pa	± %0,5
BS-415		-10.000...+10.000 Pa		

Dimensions					
A	B	C	a	b	c
143 mm	65 mm	40 mm	115 mm	28 mm	28 mm

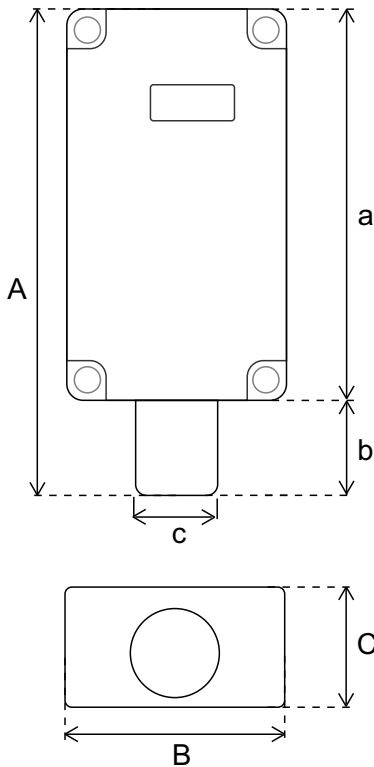


## AS/ES/US/CS/OS-412 // PORTABLE GAS SENSORS

- Accurate and Precise Measuring
- Internal Battery
- Durable and Handy Design
- 2 Years Sensor Operating Life
- Easy Replaceable Sensor
- IP 67 Plastic Case (Not Including Sensor)



### TECHNICAL SPECIFICATIONS



Product Informations	
Product Name	AS/ES/US/CS/OS-412 Portable Gas Sensors
Input	12 V DC

Sensor	Measuring Range	Sensitivity	Accuracy
Ammonia (NH <sub>3</sub> )	0-100 ppm	± 1 ppm	± 2 ppm
Ethylene (C <sub>2</sub> H <sub>4</sub> )	0-100 ppm	± 0,1 ppm	± 1 ppm
Sulfur Dioxide (SO <sub>2</sub> )	0-200 ppm	± 0,1 ppm	± 1 ppm
Carbon Monoxide (CO)	0-1000 ppm	± 1 ppm	± 5 ppm
Oxygen (O <sub>2</sub> )	0-25 % vol	± 0.1 % vol	± 1 % vol

Dimensions					
A	B	C	a	b	c
139 mm	65 mm	40 mm	115 mm	24 mm	24 mm



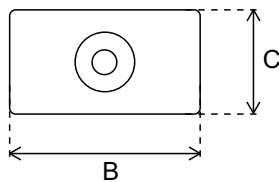
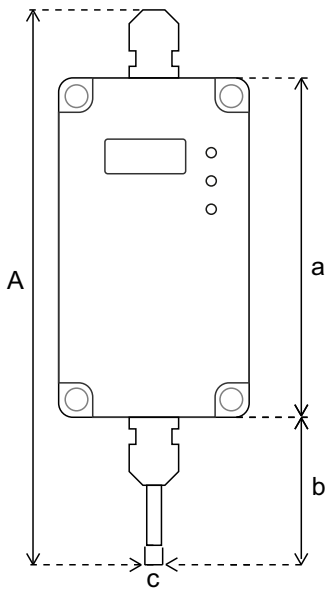
## TR-4XX // TEMPERATURE CONTROL DEVICE

- Accurate and Precise Measuring
- 1 Relay Output
- Buzzer (Optional)
- Long Operating Life
- Easy Assembling
- Adjustable Relay Sensitivity



\* Sensor cable length can be changed (0-10 m) according to demand.  
Metal probe length can be selected as 50 mm or 100 mm.

### TECHNICAL SPECIFICATIONS



Product Informations	
Product Name	TR-4XX Temperature Control Device
Input	12-24 V DC
Output	0-10 V / 2-10 V / 0-3 V / 4-20 mA / 0-20 mA / Relay (5A)

Product Code	Output	M. - Output Range	Sensitivity	Accuracy
TR-411 / 413	Relay (5A)	-20...+60 °C	± 0,1 °C	± 0,5 °C / ± 0,1 °C
TR-401 / 403	0-10 V / Relay (5A) 2-10 V / Relay (5A) 0-3 V / Relay (5A)	0-50°C / -20...+80 °C		
TR-441 / 443	4-20 mA / Relay (5A) 0-20 mA / Relay (5A)	0-50°C / -20...+80 °C		

Dimensions					
A	B	C	a	b	c
187 mm	65 mm	40 mm	115 mm	50 mm	6 mm

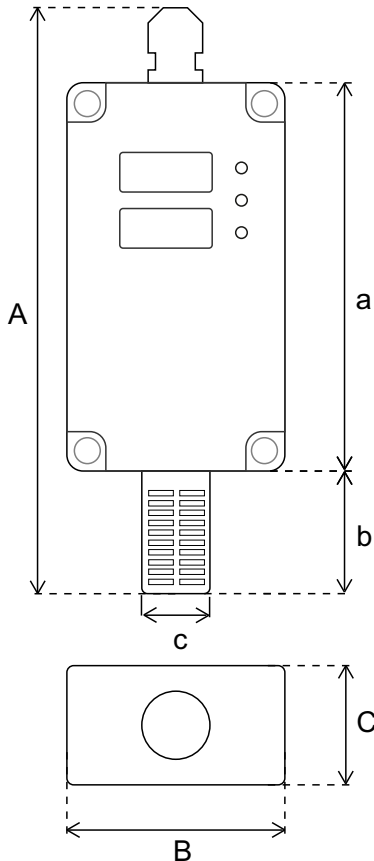


## NR-4X1 // HUMIDITY CONTROL DEVICE

- Accurate and Precise Measuring
- 1 Relay Outputs
- Buzzer (Optional)
- Long Operating Life
- Cleanable Filter
- Easy Assembling
- Adjustable Relay Sensitivity



### TECHNICAL SPECIFICATIONS



Product Informations	
Product Name	NR-4X1 Humidity Control Device
Input	12-24 V DC
Output	0-10 V / 2-10 V / 0-3 V / 4-20 mA / 0-20 mA / Relay (5A)

Product Code	Output	M. - Output Range	Sensitivity	Accuracy
NR-411	Relay (5A)	± % 100 RH	± % 1	± % 3
NR-401	0-10 V / Relay (5A) 2-10 V / Relay (5A) 0-3 V / Relay (5A)			
NR-441	4-20 mA / Relay (5A) 0-20 mA / Relay (5A)			

Dimensions					
A	B	C	a	b	c
172 mm	65 mm	40 mm	115 mm	36 mm	20 mm

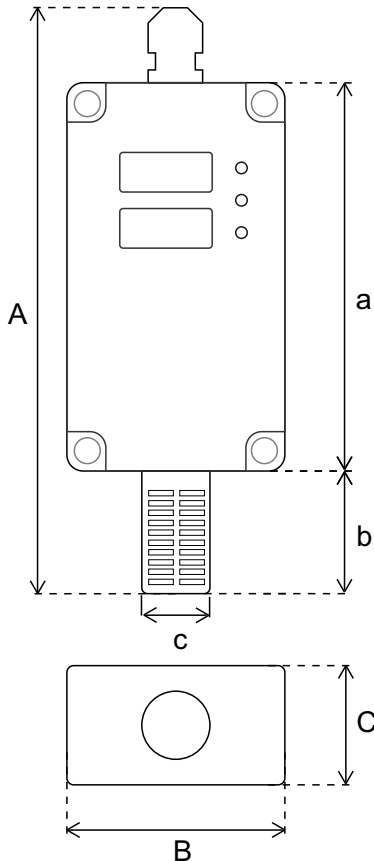


## SR-4X1 // TEMPERATURE & HUMIDITY CONTROL DEVICE

- Accurate and Precise Measuring
- 2 Relay Outputs
- Buzzer (Optional)
- Long Operating Life
- Cleanable Filter
- Easy Assembling
- Adjustable Relay Sensitivity



### TECHNICAL SPECIFICATIONS



Product Informations	
Product Name	SR-4X1 Temperature & Humidity Control Device
Input	12-24 V DC
Output	0-10 V / 2-10 V / 0-3 V / 4-20 mA / 0-20 mA / Relay (5A)

Product Code	Output	M. - Output Range	Sensitivity	Accuracy
SR-411	Relay (5A)	-20...+60 °C // 0-100 % RH	± 0,1 °C ± 1 % RH	± 0,3 °C ± 3 % RH
SR-401	0-10 V / Relay (5A) 2-10 V / Relay (5A) 0-3 V / Relay (5A)	0-50 °C / -20...+80 °C 0-100 % RH		
SR-441	4-20 mA / Relay (5A) 0-20 mA / Relay (5A)	0-50 °C / -20...+80 °C 0-100 % RH		

Dimensions					
A	B	C	a	b	c
172 mm	65 mm	40 mm	115 mm	36 mm	20 mm



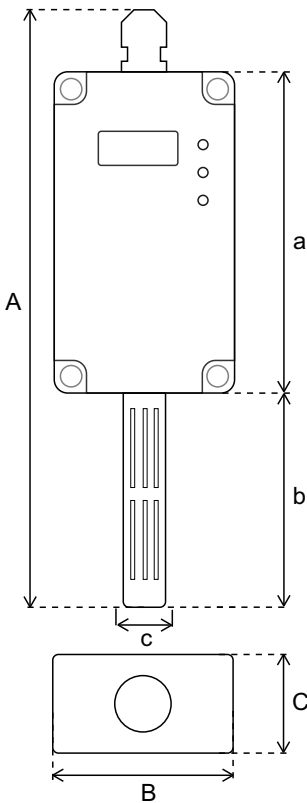


## KR-4X1 // CARBON DIOXIDE (CO<sub>2</sub>) CONTROL DEVICE

- Accurate and Precise Measuring
- 1 Relay Output
- Buzzer (Optional)
- Long Operating Life
- Easy Assembling
- Adjustable Relay Sensitivity



### TECHNICAL SPECIFICATIONS



Product Informations	
Product Name	KR-4X1 Carbon Dioxide (CO <sub>2</sub> ) Control Device
Input	12-24 V DC
Output	0-10 V / 2-10 V / 0-3 V / 4-20 mA / 0-20 mA / Relay (5A)

Product Code	Output	M. - Output Range	Sensitivity	Accuracy
KR-411	Relay (5A)	0-10.000 ppm	± 10 ppm	± 50 ppm+%/2
KR-401	0-10 V / Relay (5A) 2-10 V / Relay (5A) 0-3 V / Relay (5A)	0-5.000 ppm 0-10.000 ppm		
KR-441	4-20 mA / Relay (5A) 0-20 mA / Relay (5A)	0-5.000 ppm 0-10.000 ppm		

Dimensions					
A	B	C	a	b	c
215 mm	65 mm	40 mm	115 mm	78 mm	16 mm

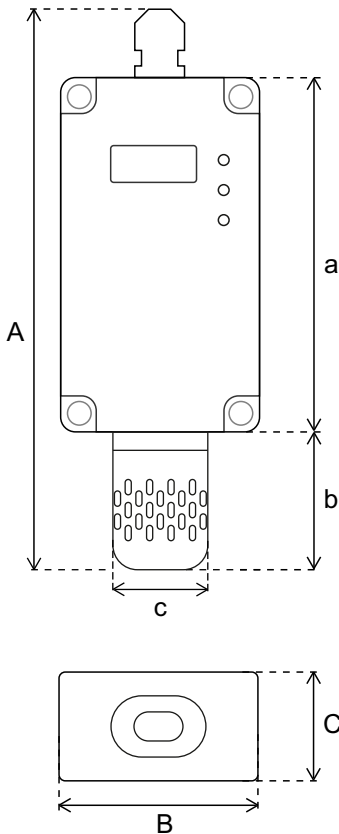


## KR-4X5 // CARBON DIOXIDE (CO<sub>2</sub>) CONTROL DEVICE

- Accurate and Precise Measuring
- 1 Relay Output
- Buzzer (Optional)
- Long Operating Life
- Cleanable Filter
- Easy Assembling
- Adjustable Relay Sensitivity



### TECHNICAL SPECIFICATIONS



Product Informations	
Product Name	KR-4X5 Carbon Dioxide (CO <sub>2</sub> ) Control Device
Input	12-24 V DC
Output	0-10 V / 2-10 V / 0-3 V / 4-20 mA / 0-20 mA / Relay (5A)

Product Code	Output	M. - Output Range	Sensitivity	Accuracy
KR-415	Relay (5A)	0-4 % vol	± 10 ppm	± 50 ppm+%/2
KR-405	0-10 V / Relay (5A) 2-10 V / Relay (5A) 0-3 V / Relay (5A)			
KR-445	4-20 mA / Relay (5A) 0-20 mA / Relay (5A)			

Dimensions					
A	B	C	a	b	c
182 mm	65 mm	40 mm	115 mm	45 mm	31 mm

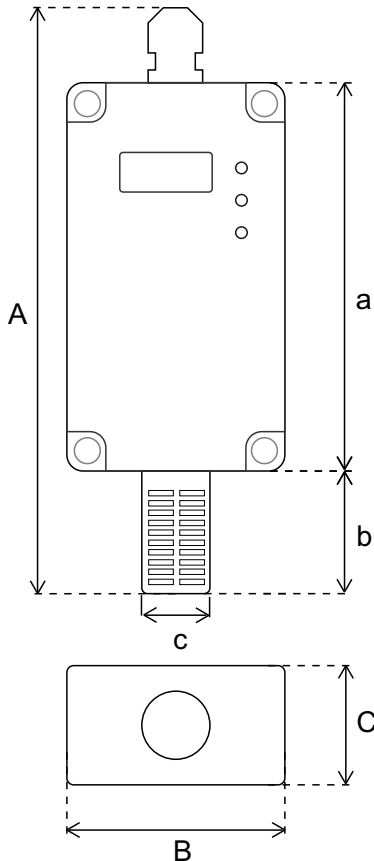


## KR-4X9 // CARBON DIOXIDE (CO<sub>2</sub>) CONTROL DEVICE

- Accurate and Precise Measuring
- 1 Relay Output
- Buzzer (Optional)
- Long Operating Life
- Cleanable Filter
- Easy Assembling
- Adjustable Relay Sensitivity



### TECHNICAL SPECIFICATIONS



Product Informations	
Product Name	KR-4X9 Carbon Dioxide (CO <sub>2</sub> ) Control Device
Input	12-24 V DC
Output	0-10 V / 2-10 V / 0-3 V / 4-20 mA / 0-20 mA / Relay (5A)

Product Code	Output	M. - Output Range	Sensitivity	Accuracy
KR-419	Relay (5A)	0-100 % vol	± 0.2 % vol	± 0.5 % vol
KR-409	0-10 V / Relay (5A) 2-10 V / Relay (5A) 0-3 V / Relay (5A)			
KR-449	4-20 mA / Relay (5A) 0-20 mA / Relay (5A)			

Dimensions					
A	B	C	a	b	c
172 mm	65 mm	40 mm	115 mm	36 mm	20 mm



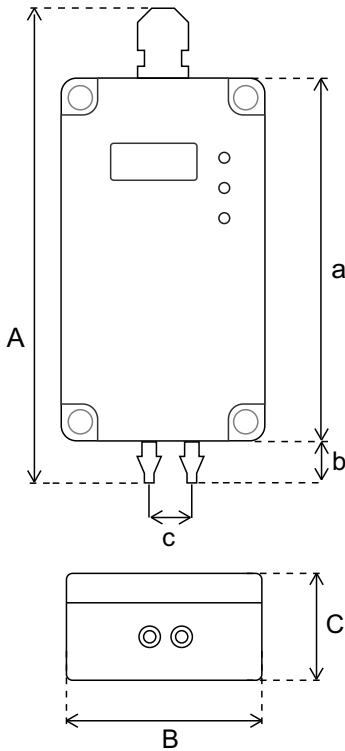


## BR-4X1 / 4X2 // DIFFERENTIAL PRESSURE CONTROL DEVICE

- Accurate and Precise Measuring
- 1 Relay Output
- Buzzer (Optional)
- Durable and Handy Design
- Long Operating Life
- Easy Assembling
- Adjustable Relay Sensitivity



### TECHNICAL SPECIFICATIONS



Product Informations	
Product Name	BR-4X1 / 4X2 Differential Pressure Control Device
Input	12-24 V DC
Output	0-10 V / 2-10 V / 0-3 V / 4-20 mA / 0-20 mA / Relay (5A)

Product Code	Output	M. - Output Range	Sensitivity	Accuracy
BR-411	Relay (5A)	-125...+125 Pa	± 1 Pa	± % 3
BR-412		-500...+500 Pa		
BR-401	0-10 V / Relay (5A)	0-50 Pa / 0-100 Pa		
BR-402	2-10 V / Relay (5A)	-125...+125 Pa		
	0-3 V / Relay (5A)	0-250 Pa / 0-500 Pa		
BR-441	4-20 mA / Relay (5A)	-500...+500 Pa		
BR-442	0-20 mA / Relay (5A)	0-50 Pa / 0-100 Pa		
		-125...+125 Pa		
		0-250 Pa / 0-500 Pa		
		-500...+500 Pa		

Dimensions					
A	B	C	a	b	c
147 mm	65 mm	40 mm	115 mm	10 mm	12 mm

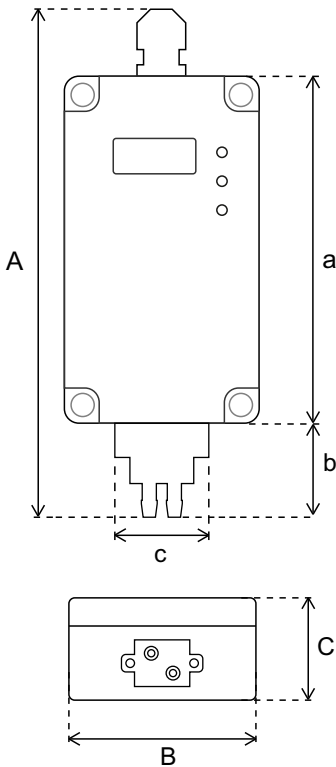


## BR-4X4 / 4X5 // DIFFERENTIAL PRESSURE CONTROL DEVICE

- Accurate and Precise Measuring
- 1 Relay Output
- Buzzer (Optional)
- Durable and Handy Design
- Long Operating Life
- Easy Assembling
- Adjustable Relay Sensitivity



### TECHNICAL SPECIFICATIONS



Product Informations	
Product Name	BR-415 Differential Pressure Control Device
Input	12-24 V DC
Output	0-10 V / 2-10 V / 0-3 V / 4-20 mA / 0-20 mA / Relay (5A)

Product Code	Output	M. - Output Range	Sensitivity	Accuracy
BR-414	Relay (5A)	-1.000...+1.000 Pa	± 10 Pa	± % 0,5
BR-415		-10.000...+10.000 Pa		
BR-404	0-10 V / Relay (5A)	0-1.000 Pa		
BR-405	2-10 V / Relay (5A)	-1.000...+1.000 Pa		
	0-3 V / Relay (5A)	0-5.000 Pa / 0-10.000 Pa		
BR-444	4-20 mA / Relay (5A)	-10.000...+10.000 Pa		
BR-445	0-20 mA / Relay (5A)	0-1.000 Pa		
		-1.000...+1.000 Pa		
		0-5.000 Pa / 0-10.000 Pa		
		-10.000...+10.000 Pa		

Dimensions					
A	B	C	a	b	c
165 mm	65 mm	40 mm	115 mm	28 mm	28 mm

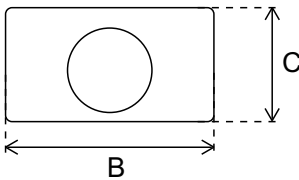
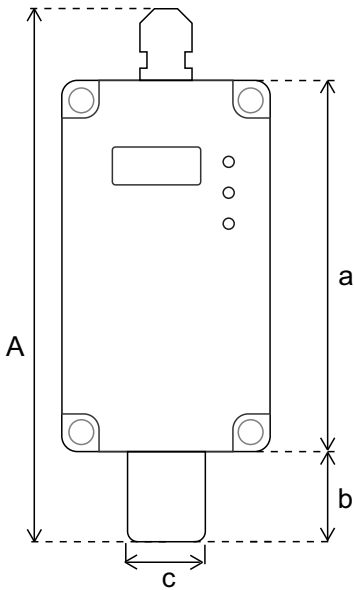


## AR-4X1 // AMMONIA CONTROL DEVICE

- Accurate and Precise Measuring
- 1 Relay Output
- Buzzer (Optional)
- 2 Years Sensor Operating Life
- Easy Replaceable Sensor
- Easy Assembling
- Adjustable Relay Sensitivity



### TECHNICAL SPECIFICATIONS



Product Informations	
Product Name	AR-4X1 Ammonia Control Device
Input	12-24 V DC
Output	0-10 V / 2-10 V / 0-3 V / 4-20 mA / 0-20 mA / Relay (5A)

Product Code	Output	M. - Output Aralığı	Sensitivity	Accuracy
AR-411	Relay (5A)	0-100 ppm	± 1 ppm	± 2 ppm
AR-401	0-10 V / Relay (5A) 2-10 V / Relay (5A) 0-3 V / Relay (5A)			
AR-441	4-20 mA / Relay (5A) 0-20 mA / Relay (5A)			

Dimensions					
A	B	C	a	b	c
161 mm	65 mm	40 mm	115 mm	24 mm	24 mm

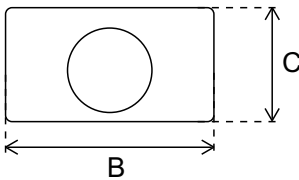
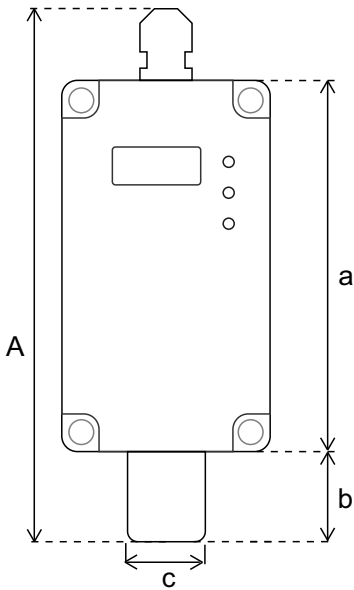


## ER-4X1 // ETHYLENE CONTROL DEVICE

- Accurate and Precise Measuring
- 1 Relay Output
- Buzzer (Optional)
- 2 Years Sensor Operating Life
- Easy Replaceable Sensor
- Easy Assembling
- Adjustable Relay Sensitivity



### TECHNICAL SPECIFICATIONS



Product Informations	
Product Name	ER-4X1 Ethylene Control Device
Input	12-24 V DC
Output	0-10 V / 2-10 V / 0-3 V / 4-20 mA / 0-20 mA / Relay (5A)

Product Code	Output	M. - Output Aralığı	Sensitivity	Accuracy
ER-411	Relay (5A)	0-100 ppm	± 0,1 ppm	± 1 ppm
ER-401	0-10 V / Relay (5A) 2-10 V / Relay (5A) 0-3 V / Relay (5A)	0-10 ppm / 0-100 ppm		
ER-441	4-20 mA / Relay (5A) 0-20 mA / Relay (5A)			

Dimensions					
A	B	C	a	b	c
161 mm	65 mm	40 mm	115 mm	24 mm	24 mm

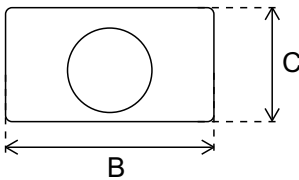
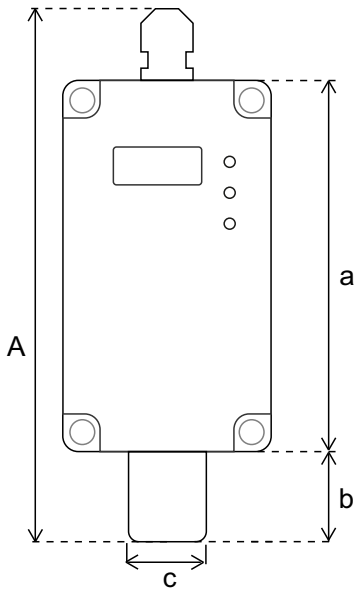


## UR-4X1 // SULFUR DIOXIDE CONTROL DEVICE

- Accurate and Precise Measuring
- 1 Relay Output
- Buzzer (Optional)
- 2 Years Sensor Operating Life
- Easy Replaceable Sensor
- Easy Assembling
- Adjustable Relay Sensitivity



### TECHNICAL SPECIFICATIONS



Product Informations	
Product Name	UR-4X1 Sulfur Dioxide Control Device
Input	12-24 V DC
Output	0-10 V / 2-10 V / 0-3 V / 4-20 mA / 0-20 mA / Relay (5A)

Product Code	Output	M. - Output Aralığı	Sensitivity	Accuracy
UR-411	Relay (5A)	0-200 ppm	± 0,1 ppm	± 1 ppm
UR-401	0-10 V / Relay (5A) 2-10 V / Relay (5A) 0-3 V / Relay (5A)	0-100 ppm / 0-200 ppm		
UR-441	4-20 mA / Relay (5A) 0-20 mA / Relay (5A)			

Dimensions					
A	B	C	a	b	c
161 mm	65 mm	40 mm	115 mm	24 mm	24 mm

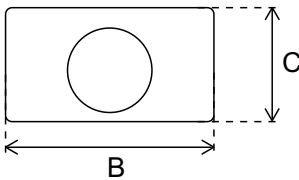
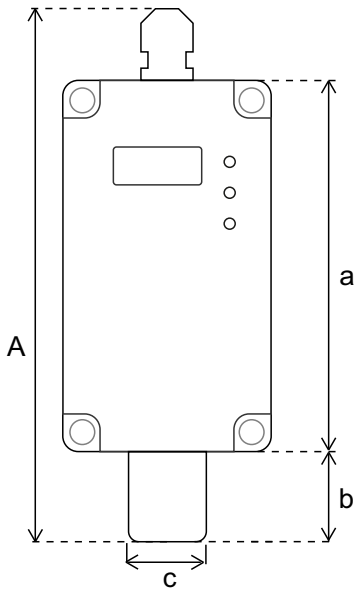


## CR-4X1 // CARBON MONOXIDE CONTROL DEVICE

- Accurate and Precise Measuring
- 1 Relay Output
- Buzzer (Optional)
- 2 Years Sensor Operating Life
- Easy Replaceable Sensor
- Easy Assembling
- Adjustable Relay Sensitivity



### TECHNICAL SPECIFICATIONS



Product Informations	
Product Name	CR-4X1 Carbon Monoxide Control Device
Input	12-24 V DC
Output	0-10 V / 2-10 V / 0-3 V / 4-20 mA / 0-20 mA / Relay (5A)

Product Code	Output	M. - Output Aralığı	Sensitivity	Accuracy
CR-411	Relay (5A)	0-1.000 ppm	± 1 ppm	± 5 ppm
CR-401	0-10 V / Relay (5A) 2-10 V / Relay (5A) 0-3 V / Relay (5A)			
CR-441	4-20 mA / Relay (5A) 0-20 mA / Relay (5A)			

Dimensions					
A	B	C	a	b	c
161 mm	65 mm	40 mm	115 mm	24 mm	24 mm

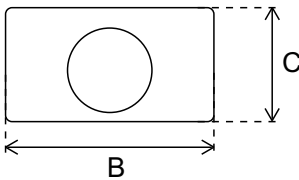
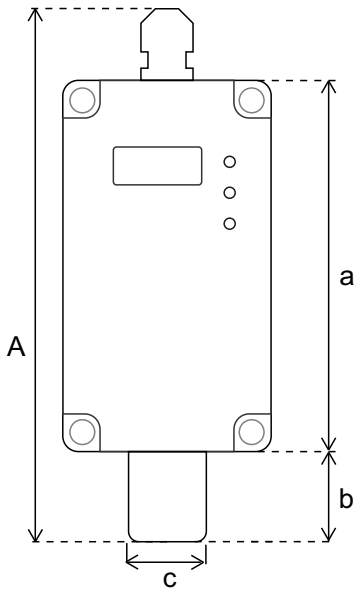


## OR-4X1 // OXYGEN CONTROL DEVICE

- Accurate and Precise Measuring
- 1 Relay Output
- Buzzer (Optional)
- 2 Years Sensor Operating Life
- Easy Replaceable Sensor
- Easy Assembling
- Adjustable Relay Sensitivity



### TECHNICAL SPECIFICATIONS



Product Informations	
Product Name	OR-4X1 Oxygen Control Device
Input	12-24 V DC
Output	0-10 V / 2-10 V / 0-3 V / 4-20 mA / 0-20 mA / Relay (5A)

Product Code	Output	M. - Output Aralığı	Sensitivity	Accuracy
OR-411	Relay (5A)	0-25 % vol	± 0.1 % vol	± 1 % vol
OR-401	0-10 V / Relay (5A) 2-10 V / Relay (5A) 0-3 V / Relay (5A)			
OR-441	4-20 mA / Relay (5A) 0-20 mA / Relay (5A)			

Dimensions					
A	B	C	a	b	c
161 mm	65 mm	40 mm	115 mm	24 mm	24 mm

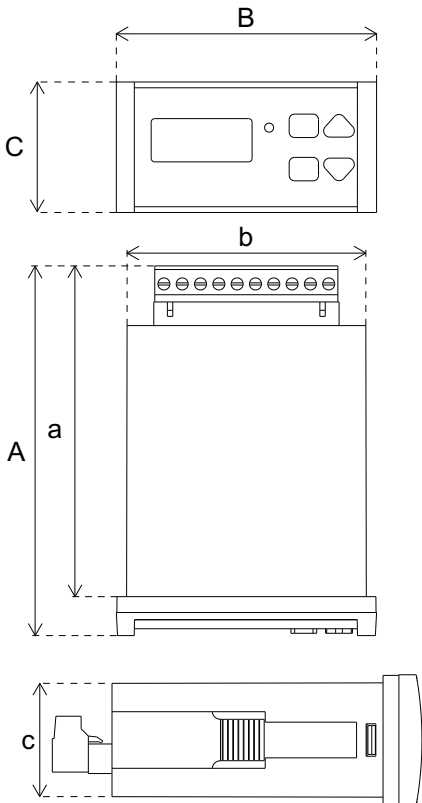


## TR-711 / 713 // PANEL TYPE TEMPERATURE CONTROL DEVICE

- Accurate and Precise Measuring
- 1 Relay Output
- Durable and Handy Design
- Long Operating Life
- Panel Type Mounting
- Adjustable Relay Sensitivity



### TECHNICAL SPECIFICATIONS



Product Informations	
Product Name	TR-711 / 713 Panel Type Temperature Control Device
Input	220 V AC
Output	Relay (5A)

Product Code	Sensor Type	M. Range	Sensitivity	Accuracy
TR-711	NTC-10K	-40...+100 °C	± 0,1 °C	± 0,5 °C
TR-713	PT-1000	-40...+150 °C	± 0,1 °C	± 0,1 °C

Dimensions					
A	B	C	a	b	c
103 mm	72 mm	36 mm	93 mm	66,5 mm	31,75 mm

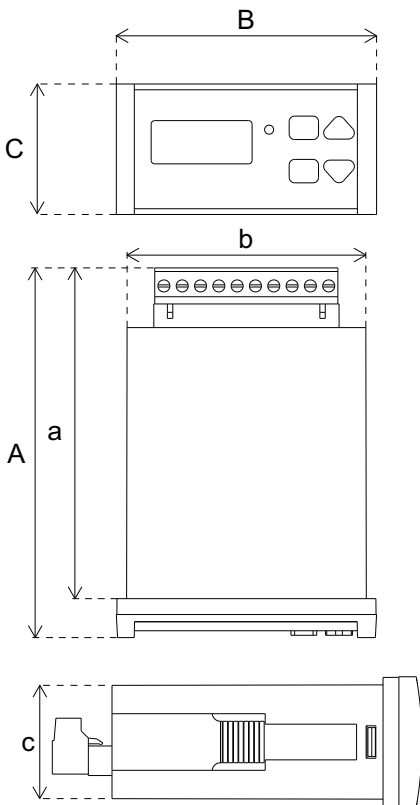


## NR-711 // PANEL TYPE HUMIDITY CONTROL DEVICE

- Accurate and Precise Measuring
- 1 Relay Output
- Durable and Handy Design
- Long Operating Life
- Cleanable Filter
- Panel Type Mounting
- Adjustable Relay Sensitivity



### TECHNICAL SPECIFICATIONS



Product Informations	
Product Name	NR-711 Panel Type Humidity Control Device
Input	220 V AC
Output	Relay (5A)

Sensor	Measuring Range	Sensitivity	Accuracy
Humidity	0 - 100 % RH	± 1 % RH	± 3 % RH

Dimensions					
A	B	C	a	b	c
103 mm	72 mm	36 mm	93 mm	66,5 mm	31,75 mm

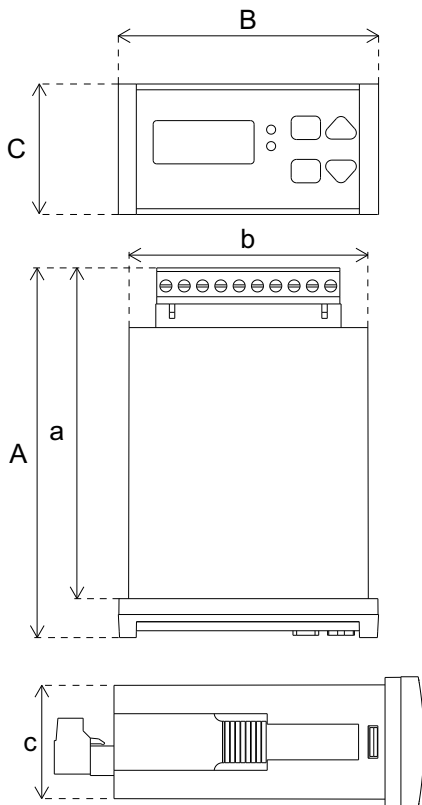


## SR-711 // PANEL TYPE TEMPERATURE & HUMIDITY CONTROL DEVICE

- Accurate and Precise Measuring
- 2 Relay Outputs
- Durable and Handy Design
- Long Operating Life
- Cleanable Filter
- Panel Type Mounting
- Adjustable Relay Sensitivity



### TECHNICAL SPECIFICATIONS



Product Informations	
Product Name	SR-711 Panel Type Temperature & Humidity Control Device
Input	220 V AC
Output	Relay (2*5A)

Sensor	Measuring Range	Sensitivity	Accuracy
Temperature	-40...+60 °C	± 0,1 °C	± 0,3 °C
Humidity	0 - 100 % RH	± 1 % RH	± 3 % RH

Dimensions					
A	B	C	a	b	c
103 mm	72 mm	36 mm	93 mm	66,5 mm	31,75 mm



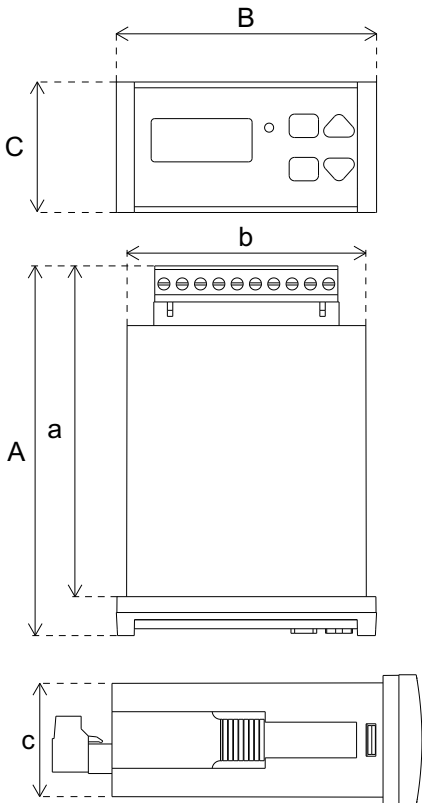


## KR-711 // PANEL TYPE CARBON DIOXIDE (CO<sub>2</sub>) CONTROL DEVICE

- Accurate and Precise Measuring
- 1 Relay Output
- Durable and Handy Design
- Long Operating Life
- Cleanable Filter
- Panel Type Mounting
- Adjustable Relay Sensitivity



### TECHNICAL SPECIFICATIONS



Product Informations	
Product Name	KR-711 Panel Type Carbon Dioxide (CO <sub>2</sub> ) Control Device
Input	220 V AC
Output	Relay (5A)

Sensor	Measuring Range	Sensitivity	Accuracy
Carbon Dioxide (CO <sub>2</sub> )	0 - 10.000 ppm	± 10 ppm	± 50 ppm+%/2

Dimensions					
A	B	C	a	b	c
103 mm	72 mm	36 mm	93 mm	66,5 mm	31,75 mm

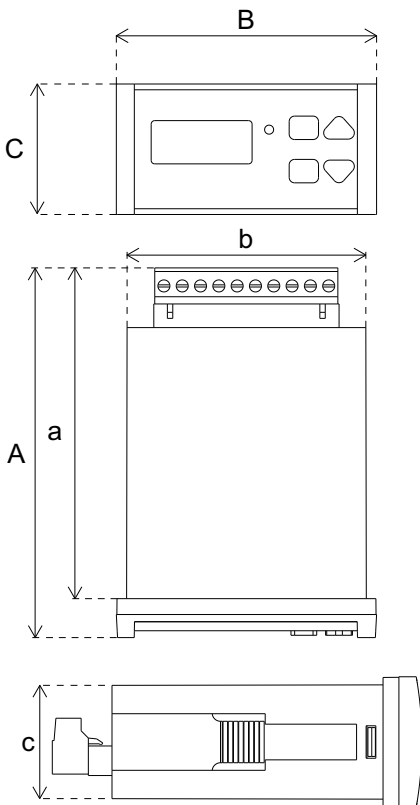


## KR-715 // PANEL TYPE CARBON DIOXIDE (CO<sub>2</sub>) CONTROL DEVICE

- Accurate and Precise Measuring
- 1 Relay Output
- Durable and Handy Design
- Long Operating Life
- Cleanable Filter
- Panel Type Mounting
- Adjustable Relay Sensitivity



### TECHNICAL SPECIFICATIONS



Product Informations	
Product Name	KR-715 Panel Type Carbon Dioxide (CO <sub>2</sub> ) Control Device
Input	220 V AC
Output	Relay (5A)

Sensor	Measuring Range	Sensitivity	Accuracy
Carbon Dioxide (CO <sub>2</sub> )	0 - 4 % vol	± 10 ppm	± 50 ppm+%/2

Dimensions					
A	B	C	a	b	c
103 mm	72 mm	36 mm	93 mm	66,5 mm	31,75 mm

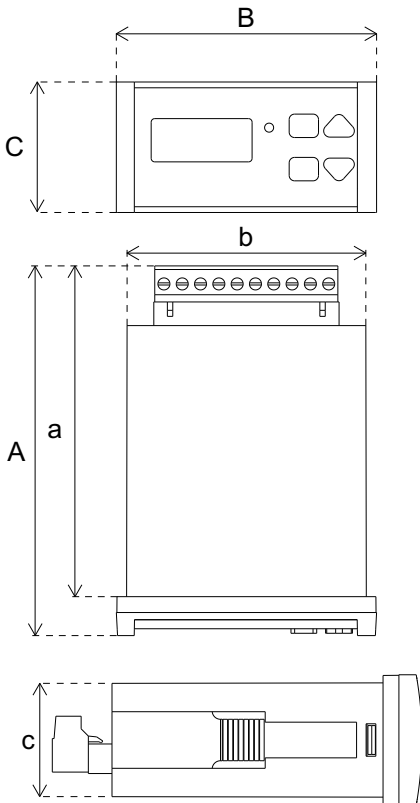


## KR-719 // PANEL TYPE CARBON DIOXIDE (CO<sub>2</sub>) CONTROL DEVICE

- Accurate and Precise Measuring
- 1 Relay Output
- Durable and Handy Design
- Long Operating Life
- Cleanable Filter
- Panel Type Mounting
- Adjustable Relay Sensitivity



### TECHNICAL SPECIFICATIONS



Product Informations	
Product Name	KR-719 Panel Type Carbon Dioxide (CO <sub>2</sub> ) Control Device
Input	220 V AC
Output	Relay (5A)

Sensor	Measuring Range	Sensitivity	Accuracy
Carbon Dioxide (CO <sub>2</sub> )	0 - 100 % vol	± 0.2 % vol	± 0.5 % vol

Dimensions					
A	B	C	a	b	c
103 mm	72 mm	36 mm	93 mm	66,5 mm	31,75 mm



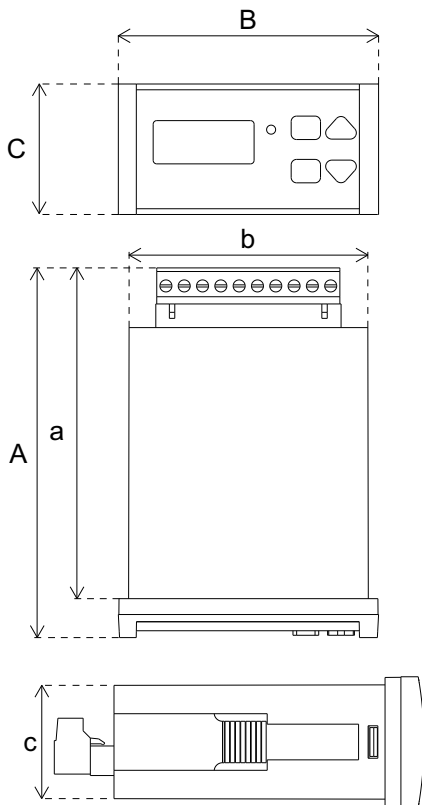


## AR/ER/UR/CR/OR-711 // PANEL TYPE GAS CONTROL DEVICES

- Accurate and Precise Measuring
- 1 Relay Output
- Durable and Handy Design
- 2 Years Sensor Operating Life
- Easy Replaceable Sensor
- Panel Type Mounting
- Adjustable Relay Sensitivity



### TECHNICAL SPECIFICATIONS



Product Informations	
Product Name	AR/ER/UR/CR/OR-711 Panel Type Gas Control Devices
Input	220 V AC
Output	Relay (5A)

Sensor	Measuring Range	Sensitivity	Accuracy
Ammonia (NH <sub>3</sub> )	0-100 ppm	± 1 ppm	± 2 ppm
Ethylene (C <sub>2</sub> H <sub>4</sub> )	0-10 ppm / 0-100 ppm	± 0,1 ppm	± 1 ppm
Sulfur Dioxide (SO <sub>2</sub> )	0-200 ppm	± 0,1 ppm	± 1 ppm
Carbon Monoxide (CO)	0-1000 ppm	± 1 ppm	± 5 ppm
Oxygen (O <sub>2</sub> )	0-25 % vol	± 0.1 % vol	± 1 %vol

Dimensions					
A	B	C	a	b	c
103 mm	72 mm	36 mm	93 mm	66,5 mm	31,75 mm



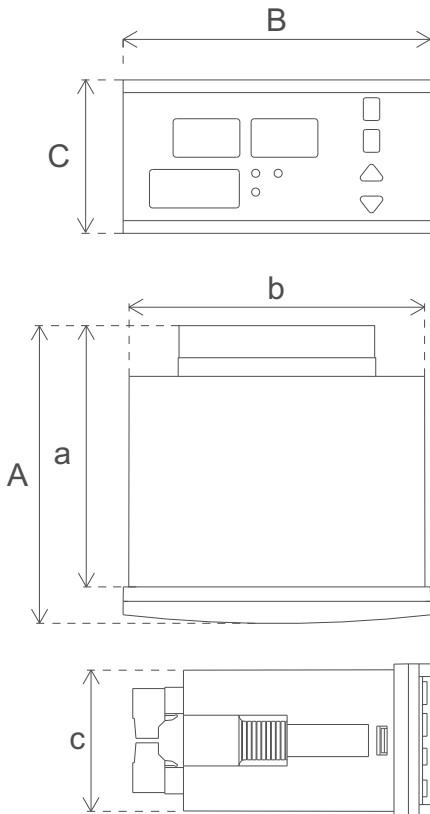


## KR-751 // PANEL TYPE TEMPERATURE, HUMIDITY AND CARBON DIOXIDE (CO<sub>2</sub>) CONTROL DEVICE

- Accurate and Precise Measuring
- 3 Relay Outputs
- Durable and Handy Design
- Long Operating Life
- Cleanable Filter
- Panel Type Mounting
- Adjustable Relay Sensitivity



### TECHNICAL SPECIFICATIONS



Ürün Bilgileri / Product Informations	
Product Name	KR-751 Panel Type Temperature, Humidity, Carbon Dioxide (CO <sub>2</sub> ) Control Device
Input	220 V AC
Output	Relay (3*5A)

Sensor	Measuring Range	Sensitivity	Accuracy
Temperature	-40...+80°C	± 0,1 °C	± 0,3 °C
Humidity	0 - 100 % RH	± 1 % RH	± 3 % RH
Carbon Dioxide (CO <sub>2</sub> )	0 - 10.000 ppm	± 10 ppm	± 50 ppm+%/2

Dimensions					
A	B	C	a	b	c
93 mm	96 mm	48 mm	81,5 mm	92,5 mm	44,25 mm



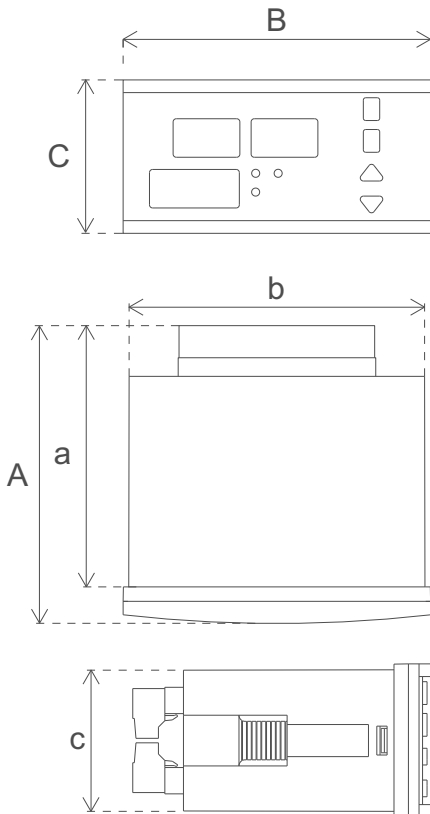


## KR-752 // PANEL TYPE TEMPERATURE, HUMIDITY AND CARBON DIOXIDE (CO<sub>2</sub>) CONTROL DEVICE

- Accurate and Precise Measuring
- 3 Relay Outputs
- Durable and Handy Design
- Long Operating Life
- Cleanable Filter
- Panel Type Mounting
- Adjustable Relay Sensitivity



### TECHNICAL SPECIFICATIONS



Ürün Bilgileri / Product Informations	
Product Name	KR-752 Panel Type Temperature, Humidity, Carbon Dioxide (CO <sub>2</sub> ) Control Device (With NTC Probe)
Input	220 V AC
Output	Relay (3*5A)

Sensor	Measuring Range	Sensitivity	Accuracy
Temperature	-40...+60°C	± 0,1 °C	± 0,3 °C
Humidity	0 - 100 % RH	± 1 % RH	± 3 % RH
Carbon Dioxide (CO <sub>2</sub> )	0 - 10.000 ppm	± 10 ppm	± 50 ppm+%/2

Dimensions					
A	B	C	a	b	c
93 mm	96 mm	48 mm	81,5 mm	92,5 mm	44,25 mm



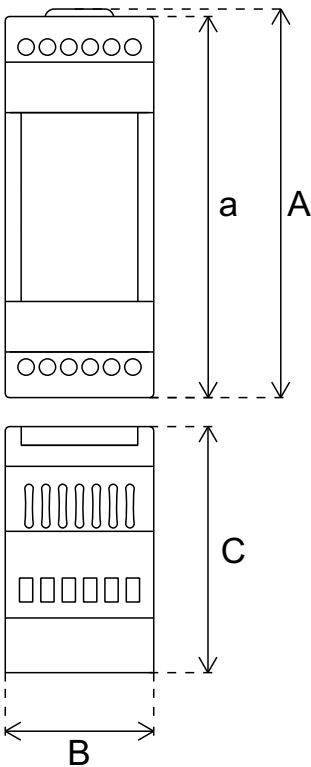


## MK-261 // MODBUS PROTECTION CARD

- Durable and Handy Design
- Long Operating Life
- Easy Assembling
- Rail Type Case
- 2 Modbus Connections



### TECHNICAL SPECIFICATIONS



Product Informations	
Product Name	MK-261 Modbus Protection Card
Modbus Input	A1 / B1 / A2 / B2
Modbus Output	A1 / B1 / A2 / B2

Product Code	Output Signal
MK-261	Modbus RTU

Dimensions			
A	B	C	a
93 mm	35 mm	59 mm	90 mm



## BD-355 // DIFFERENTIAL PRESSURE SWITCH

- Accurate and Precise Measuring
- Adjustable Range
- Hose and Probe Set
- Durable and Handy Design
- Long Operating Life
- Easy Assembling
- IP 54 Protection

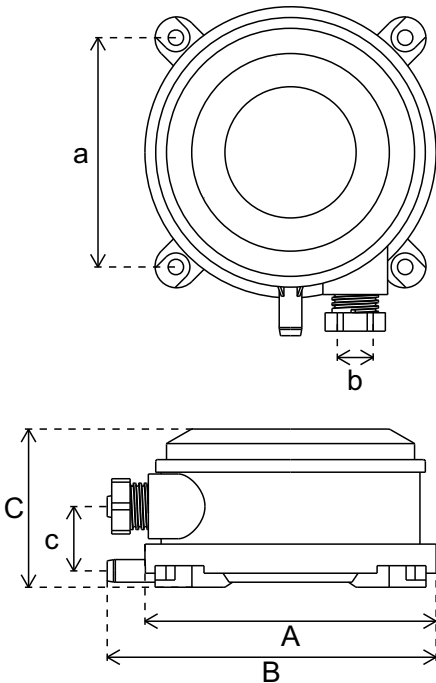


### TECHNICAL SPECIFICATIONS

Product Informations	
Product Name	BD-355 Differential Pressure Switch
Connection Model	Screw Connection
Pressure Limit	7500 Pa
Output	NO / NC

Sensor	Measuring Range	Sensitivity	Accuracy
Pressure	50 - 500 Pa	$\pm 7,5$ Pa	$\pm \%2$

Dimensions					
A	B	C	a	b	c
80,8 mm	91,4 mm	44,5 mm	63,5 mm	6 mm	18,5 mm





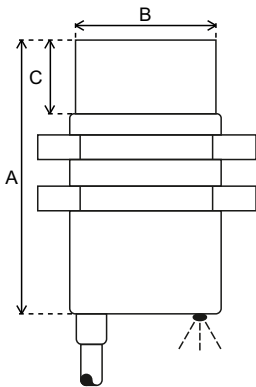
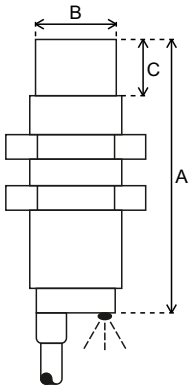
## YS-111 / YS-112 // CAPACITIVE SENSOR

- Long Operating Life
- Durable and Handy Design
- Easy Assembling
- Adjustable Sensitivity
- High Corrosion Resistance
- Sensor Status Led



\* Sensor cable length: 195 cm

### TECHNICAL SPECIFICATIONS



Product Informations	
Product Name	YS-111 / YS-112 - Capacitive Sensor
Input	90 - 250 V AC
Output	NC
Connection	AC2-wire
Material	Brass ( Nickel Plated )

Dimensions			
YS-111	A	B	C
	55 mm	M18	8 mm
YS-112	A	B	C
	55 mm	M30	15 mm

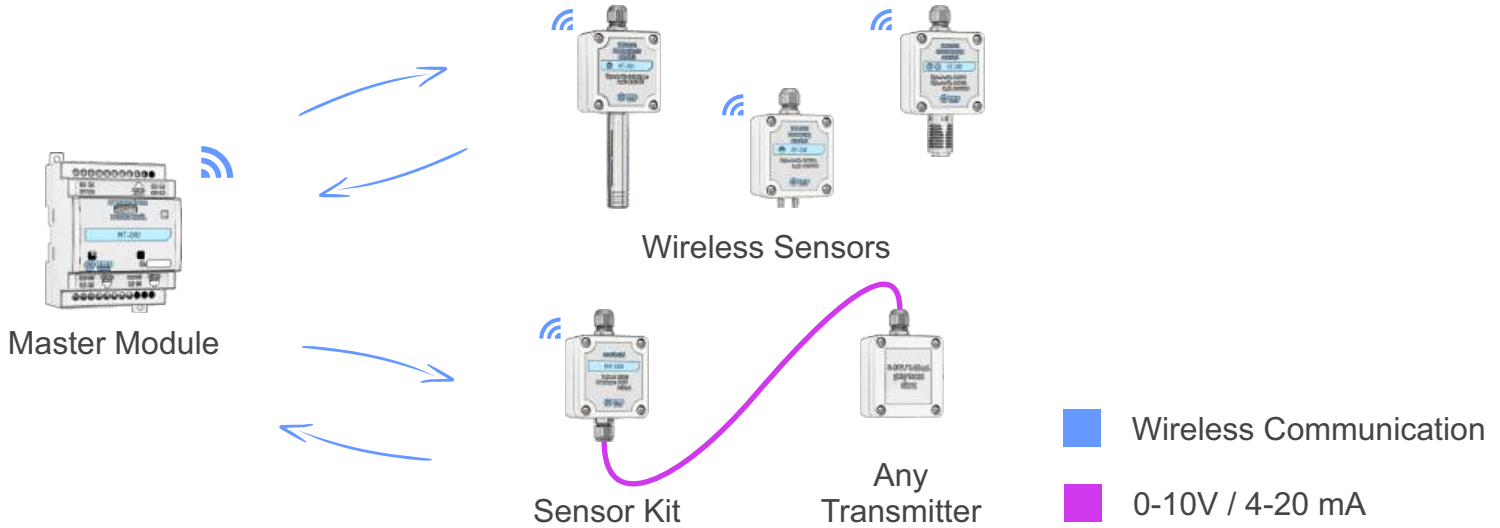


## WIRELESS SENSOR GROUP

### WHAT IS IT?

Up to 3 wireless sensors can be connected to an analog master module, and up to 10 wireless sensors to a Modbus master module. Each sensor can provide 0-10 V, 4-20 mA or Modbus RTU output. You can choose your preferred wireless sensor type, or you can wirelessly connect any transmitter with a 0-10 V / 4-20 mA output to the master device using the sensor kit.

### HOW THE SYSTEM WORKS?



The master module and wireless sensors are identified to each other. The sensor transmits the measured data to the master module via wireless communication. The master module converts the data into output signals in the standards (0-10 V, 4-20 mA or Modbus RTU) to be used. Our wireless sensor group includes humidity, temperature and humidity, carbon dioxide, differential pressure and gas sensors. The devices can communicate with each other in open areas up to 750 meters with a short antenna and 1.5 km with a long antenna.



### MT-010 // WIRELESS ANALOGUE MASTER MODULE

Product Informations	
Power	12-24 V DC
Input	433 Mhz Wireless Communication
Output	0-10 V / 4-20 mA



### MT-016 // WIRELESS MODBUS MASTER MODULE

Product Informations	
Power	12-24 V DC
Input	433 Mhz Wireless Communication
Output	Modbus RTU





## WIRELESS SENSOR GROUP



### KM-390 // SENSOR KIT

#### Product Informations

Power	12-24 V DC
Input	0-10 V / 4-20 mA
Output	433 Mhz Wireless Communication



### TT-391 // WIRELESS TEMPERATURE SENSORS

Sensor	Measuring Range	Sensitivity	Accuracy
Temperature	-20...+60 °C	± 0,1 °C	± 0,5 %
Output	433 Mhz Wireless Communication		



### NT-391 // WIRELESS HUMIDITY SENSORS

Sensor	Measuring Range	Sensitivity	Accuracy
Humidity	0 - 100 % RH	± 1 % RH	± 3 % RH
Output	433 Mhz Wireless Communication		



### ST-391 // WIRELESS TEMPERATURE & HUMIDITY SENSORS

Sensor	Measuring Range	Sensitivity	Accuracy
Temperature	-20...+60 °C	± 0,1 °C	± 0,3 °C
Humidity	0 - 100 % RH	± 1 % RH	± 3 % RH
Output	433 Mhz Wireless Communication		





## WIRELESS SENSOR GROUP



### KT-391 // WIRELESS CARBON DIOXIDE SENSOR

Sensor	Measuring Range	Sensitivity	Accuracy
Carbon Dioxide (CO <sub>2</sub> )	0 - 5.000 ppm 0 - 10.000 ppm	± 10 ppm	± 50 ppm+%2
Output	4433 Mhz Wireless Communication		



### BT-391 / 392 // WIRELESS DIFFERENTIAL PRESSURE SENSOR

Sensor	Measuring Range	Sensitivity	Accuracy
Pressure (BT-391)	0-50 Pa / 0-100 Pa -125...+125 Pa	± 1 Pa	± %3
Pressure (BT-392)	0-250 Pa / 0-500 Pa -500...+500 Pa	± 1 Pa	± %3
Output	433 Mhz Wireless Communication		



### BT-394 / 395 // WIRELESS DIFFERENTIAL PRESSURE SENSOR

Sensor	Measuring Range	Sensitivity	Accuracy
Pressure (BT-394)	0-1.000 Pa -1.000...+1.000 Pa	± 10 Pa	± % 0,5
Pressure (BT-395)	0-5.000 Pa / 0-10.000 Pa -10.000...+10.000 Pa	± 10 Pa	± % 0,5
Output	433 Mhz Wireless Communication		



### AT / ET / UT / CT / OT-391 // WIRELESS GAS SENSORS

Sensor	Measuring Range	Sensitivity	Accuracy
Ammonia (NH <sub>3</sub> )	0-100 ppm	± 1 ppm	± 2 ppm
Ethylene (C <sub>2</sub> H <sub>4</sub> )	0-100 ppm	± 0,1 ppm	± 1 ppm
Sulfur Dioxide (SO <sub>2</sub> )	0-200 ppm	± 0,1 ppm	± 1 ppm
Carbon Monoxide (CO)	0-1.000 ppm	± 1 ppm	± 5 ppm
Oxygen (O <sub>2</sub> )	0-25 % vol	± 0,1 % vol	± 1 % vol
Output	433 Mhz Wireless Communication		





## OPTIONS & APPARATUS



### AE-321// S. STEEL SENSOR ACCESSORY

Compatible with Temp. and Hum. Sensor

Stainless Probe

1 m Cable



### AE-322 // S. STEEL DUCT TYPE PROBE

Compatible with Temp. and Hum. Sensor

Stainless Probe

1 m Cable



### AE-323 // S. STEEL SCREW TYPE PROBE

Compatible with Temp. and Hum. Sensor

Stainless Probe

1 m Cable



### AE-331// PLASTIC SENSOR ACCESSORY

Compatible with Temp. and Hum. Sensor

Probe Type

1 m Cable



### AE-332// WALL MOUNTING ACCESSORY

Compatible with Temp. and Hum. Sensor

Wall Type

1 m Cable



### AE-333// DUCT MOUNTING ACCESSORY

Compatible with Temp. and Hum. Sensor

Duct Type

1 m Cable





## OPTIONS & APPARATUS



**AE-341// CO<sub>2</sub> WALL MOUNTING ACCESSORY**

Compatible with Carbon Dioxide Sensor

Wall Type

1 m Cable



**AE-342// CO<sub>2</sub> DUCT MOUNTING ACCESSORY**

Compatible with Carbon Dioxide Sensor

Duct Type

1 m Cable

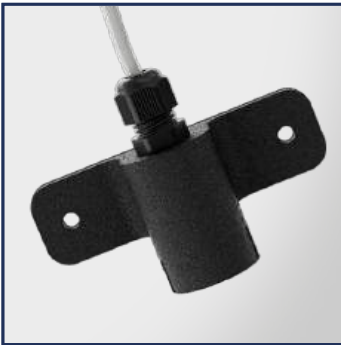


**AE-351// CO<sub>2</sub> WALL MOUNTING APPARATUS**

Compatible with Carbon Dioxide Sensor

Wall Type

1 m Cable



**AE-361// GAS WALL MOUNTING ACCESSORY**

Comptible with Gas Sensor

Wall Type

1 m Cable



**AE-362// GAS DUCT MOUNTING ACCESSORY**

Dust Protection

Duct Type

1 m Cable



**AE-501 / 502 // IP-65 SOCKET**

Male - Female Set

IP-65 Protection Class

1 m Cable





## SPARE PARTS & ACCESSORIES



**AE-311// THREADED THERMOWELL**

Probe Length 100 mm

Stainless Probe

M20



**AE-601// ADAPTOR**

1 m Cable

12 V DC / 1 A

2.1 mm Jack



**AE-901 // DIFF. PRESSURE FILTER**

Low Pressure Drop

Dust Resistant

Probe Type



**AE-902// WALL TYPE DIFF. PRESSURE FILTER**

Low Pressure Drop

Dust Resistant

Wall Mounting



**AE-903// D. PRESSURE PROBE SET**

2 Pressure Probes

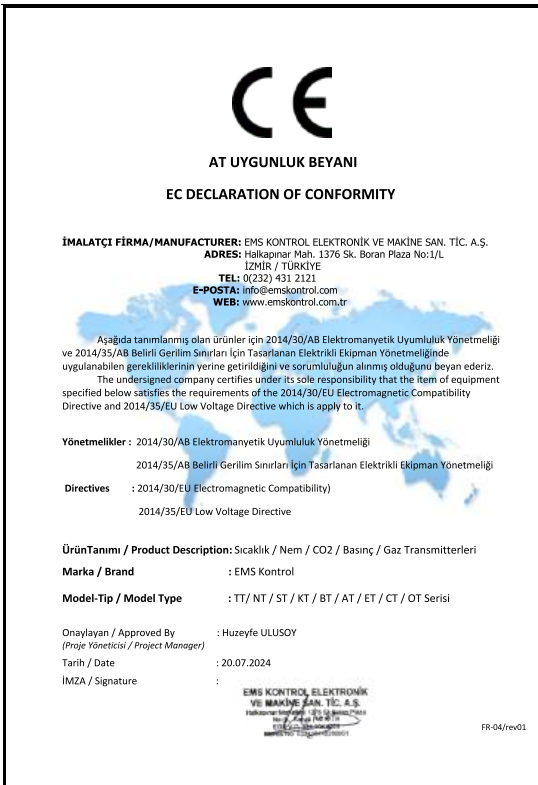
4\*6 Clear Hose

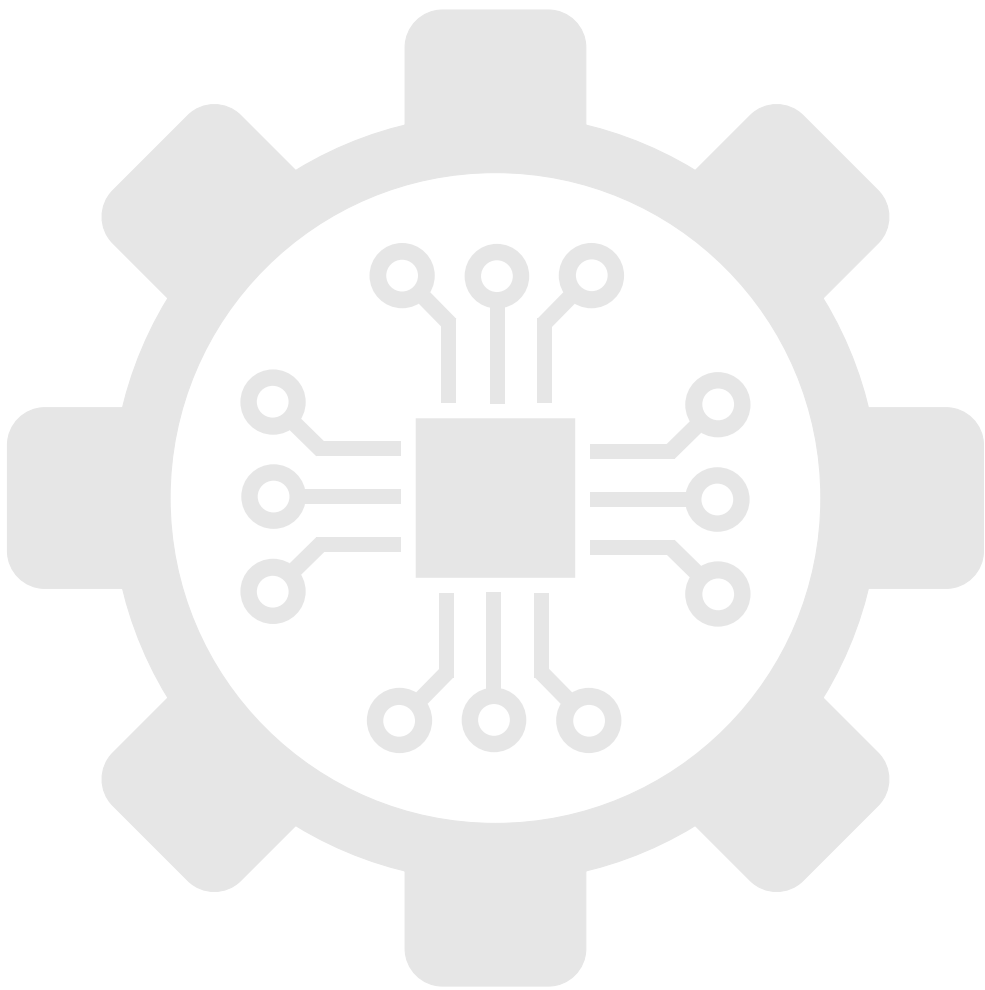
2 m Hose





OUR DOCUMENTS





“ACCURATE MEASUREMENT, ACCURATE CONTROL”



INDUSTRIAL SENSOR GROUP

“ACCURATE MEASUREMENT, ACCURATE CONTROL”



EMS KONTROL ELEKTRONİK MAKİNE SANAYİ VE TİCARET A.Ş.



+90 232 431 21 21



info@emskontrol.com



Mersinli Mah. 1201/2 Sk. Temsil Plaza No:2/F Konak/İZMİR