

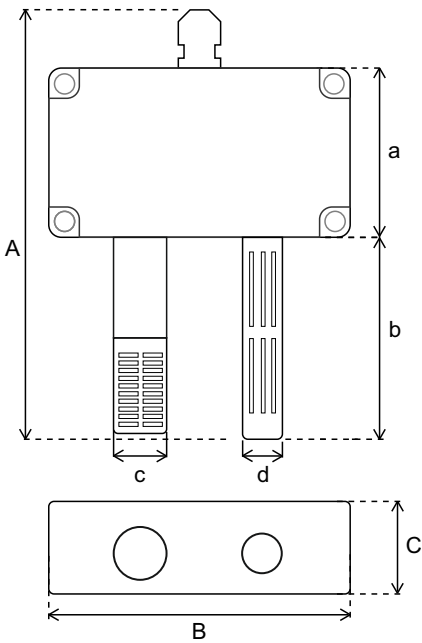


KT-5X1 // TEMPERATURE, HUMIDITY & CARBON DIOXIDE (CO₂) TRANSMITTER

- Accurate and Precise Measuring
- Analog Output
- Durable and Handy Design
- Long Operating Life
- Cleanable Filter
- Easy Assembling
- IP 67 Plastic Case (Not Including Sensor)



TECHNICAL SPECIFICATIONS



Product Informations	
Product Name	KT-5X1 Temperature, Humidity & Carbon Dioxide (CO ₂) Transmitter
Input	12-24 V DC
Output	0-10 V / 2-10 V / 0-3 V / 4-20 mA / 0-20 mA / Modbus RTU

Sensor	Output Range	Sensitivity	Accuracy
Temperature	0 - 50°C / -20...+80 °C	± 0,1 °C	± 0,3 °C
Humidity	0 - 100 % RH	± 1 % RH	± 3 % RH
Carbon Dioxide (CO ₂)	0 - 5.000 ppm 0 - 10.000 ppm	± 10 ppm	± 50 ppm+%2

Product Code	Output Signal	Dimensions		
		A	B	C
KT-501	0-10 V / 2-10 V / 0-3 V	164 mm	115 mm	40 mm
KT-541	4-20 mA / 0-20 mA	a	b	
KT-561	Modbus RTU	65 mm	78 mm	