



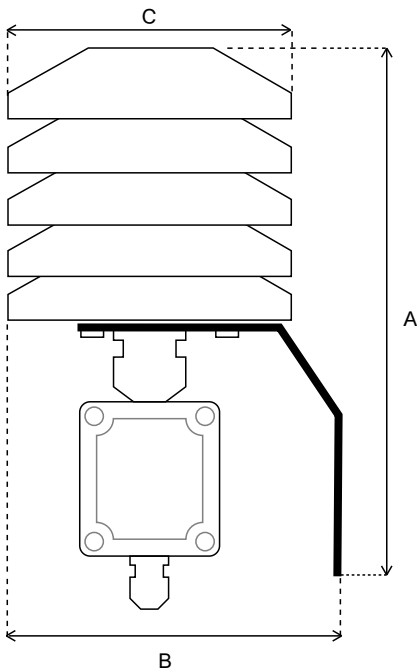
DT-3XX // OUTSIDE TEMPERATURE & HUMIDITY TRANSMITTER

OUTSIDE SENSOR

- Radiation and Rain Protection
- Accurate and Precise Measuring
- Analog Output
- Long Operating Life
- Easy Assembling
- IP 67 Plastic Case (Not Including Sensor)



TECHNICAL SPECIFICATIONS



Product Informations	
Product Name	DT-3XX Outside Temperature & Humidity Transmitter
Input	12-24 V DC
Output	0-10 V / 2-10 V / 0-3 V / 4-20 mA / 0-20 mA / Modbus RTU

Sensor	Output Range	Sensitivity	Accuracy
Temperature	0 - 50 °C / -20...+80 °C	± 0,1 °C	± 0,3 °C
Humidity	0 - 100 % RH	± 1 % RH	± 3 % RH

Product Code	Output Signal
DT-301	0-10 V / 2-10 V / 0-3 V
DT-341	4-20 mA / 0-20 mA
DT-361	Modbus RTU

Dimensions		
A	B	C
258 mm	142 mm	110 mm