

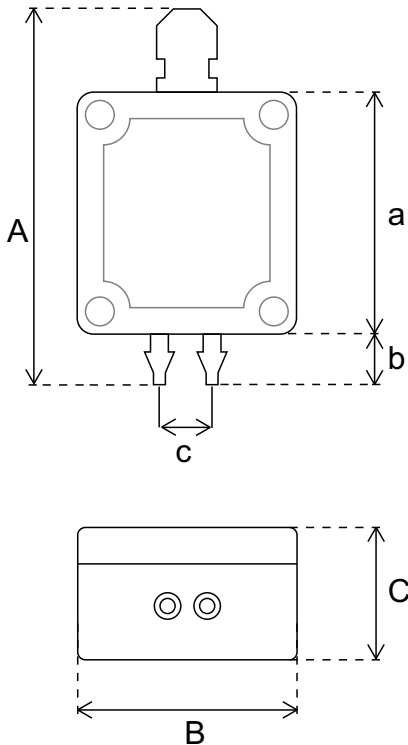


## BT-3X1 / 3X2 // DIFFERENTIAL PRESSURE TRANSMITTER

- Accurate and Precise Measuring
- Analog Output
- Durable and Handy Design
- Long Operating Life
- Easy Assembling
- IP 67 Plastic Case (Not Including Sensor)



### TECHNICAL SPECIFICATIONS



Product Informations	
Product Name	BT-3X1 / 3X2 Differential Pressure Transmitter
Input	12-24 V DC
Output	0-10 V / 2-10 V / 0-3 V / 4-20 mA / 0-20 mA / Modbus RTU

Product Code	Sensor	Output Range	Sensitivity	Accuracy
BT-3X1	Pressure	0-100 Pa / 0-125 Pa -125...+125 Pa	± 1 Pa	± %3
BT-3X2		0-250 Pa / 0-500 Pa -500...+500 Pa		

Product Code	Output Signal	Dimensions		
		A	B	C
BT-301 / 302	0-10 V / 2-10 V / 0-3 V	96 mm	58 mm	35 mm
BT-341 / 342	4-20 mA / 0-20 mA	a	b	c
BT-361 / 362	Modbus RTU	64 mm	10 mm	12 mm