

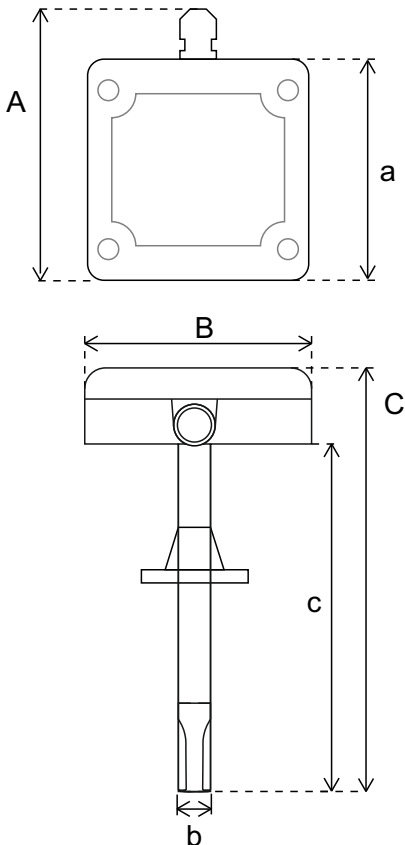


KT-2XX // CARBON DIOXIDE (CO₂) DUCT TYPE TRANSMITTER

- Accurate and Precise Measuring
- Analog Output
- Durable and Handy Design
- Long Operating Life
- Easy Assembling
- Mounting Bracket
- IP 67 Plastic Case (Not Including Air Entrance For Sensor)



TECHNICAL SPECIFICATIONS



Product Informations	
Product Name	KT-2XX Carbon Dioxide (CO ₂) Duct Type Transmitter
Input	12-24 V DC
Output	0-10 V / 4-20 mA / Modbus RTU

Sensor	Measuring Range	Sensitivity	Accuracy
Carbon Dioxide (CO ₂)	0 - 5.000 ppm 0 - 10.000 ppm	± 10 ppm	± 50 ppm+%2

Product Code	Output Signal
KT 201	0-10 V
KT 241	4-20 mA
KT 261	Modbus RTU

Dimensions		
A	B	C
102 mm	80 mm	231 mm
a	b	c
80 mm	15 mm	193 mm