

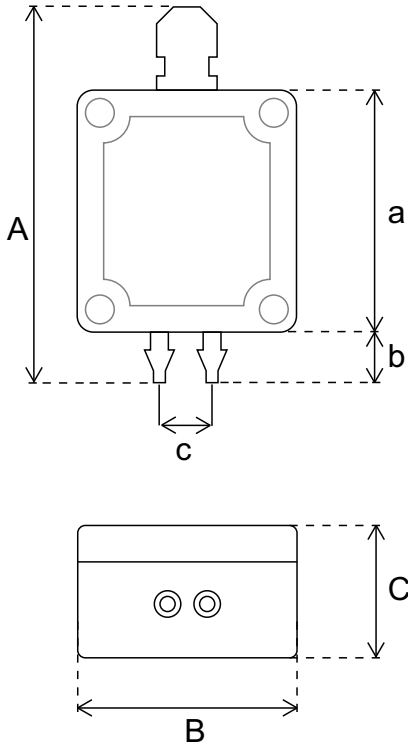


## BT-3X1 // DIFFERENTIAL PRESSURE TRANSMITTER

- Accurate and Precise Measuring
- Analog Output
- Durable and Handy Design
- Long Operating Life
- Easy Assembling
- IP 67 Plastic Case (Not Including Sensor)



### TECHNICAL SPECIFICATIONS



Product Informations	
Product Name	BT-3X1 Differential Pressure Transmitter
Input	12-24 V DC
Output	0-10 V / 4-20 mA / Modbus RTU

Sensor	Measuring Range	Sensitivity	Accuracy
Pressure	0-100 Pa / 0-125 Pa (-125) - (+125) Pa (-500) - (+500) Pa	± 1 Pa	± %3

Product Code	Output Signal
BT 301	0-10 V
BT 341	4-20 mA
BT 361	Modbus RTU

Dimensions		
A	B	C
96 mm	58 mm	35 mm
a	b	c
64 mm	10 mm	12 mm