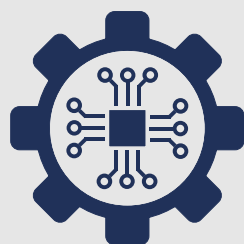


INDUSTRIAL SENSOR GROUP

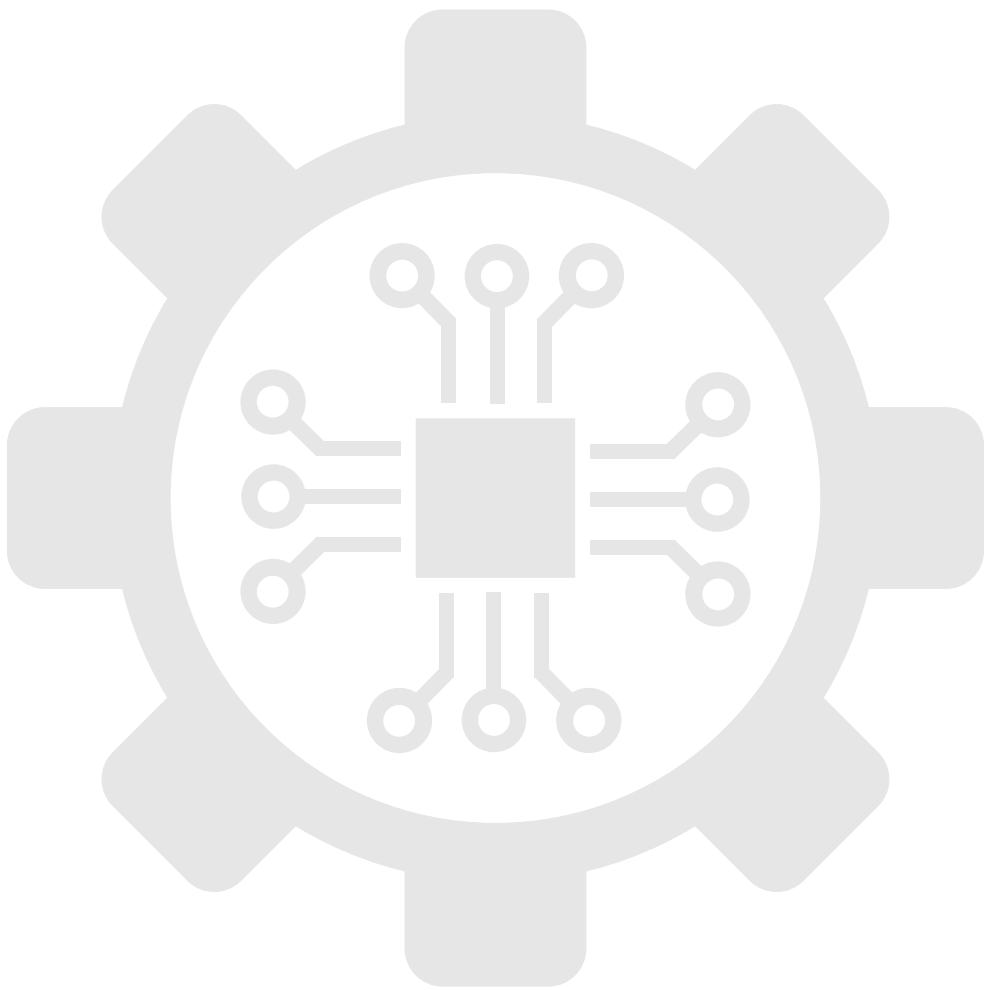
PRODUCT CATALOGUE



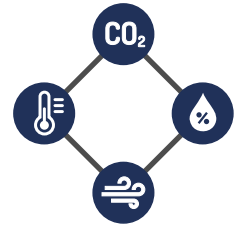
ems
kontrol

“ACCURATE MEASUREMENT, ACCURATE CONTROL”

© 2023 - Ems Kontrol - All Rights Reserved



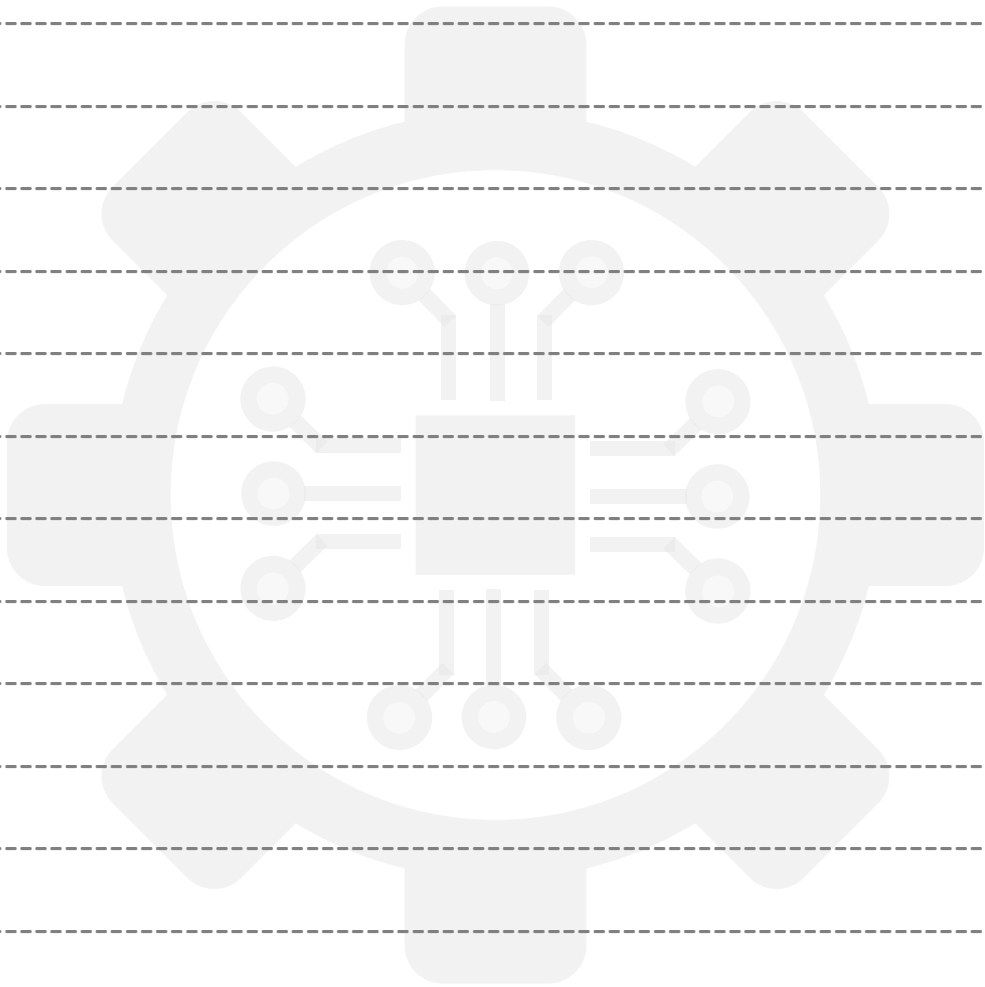
“ACCURATE MEASUREMENT, ACCURATE CONTROL”



INDEX

- SENSORS.....5-6
- TRANSMITTERS WITH AND WITHOUT DISPLAY.....7-35
- DIGITAL DISPLAY.....36
- PORTABLE SENSORS.....37-43
- CONTROL DEVICES.....44-50
- PANEL TYPE CONTROL DEVICES.....51-55
- MODBUS PROTECTION CARD.....56
- CAPACITIVE SENSORS.....57
- WIRELESS SENSORS.....58-59
- SPARE PARTS & ACCESSORIES.....60-61
- OUR DOCUMENTS.....62

NOTES





TS-1XX // TEMPERATURE SENSOR

- Accurate and Precise Measuring
- Long Operating Life
- Easy Assembling
- Extendable Sensor on Demand *

TS-111
TS-112



TS-121
TS-131

* In our TS-111 and TS-112 Temperature sensors, Sensor cable length can be changed (0-10m) according to demand. Metal probe length can be selected as 50mm or 100mm.

TECHNICAL SPECIFICATIONS

Product Informations	
Product Name	TS-1XX Temperature Sensor
Sensor Type	NTC 10 K / NTC 30 K / PT-100 / PT-1000

Product Code	Sensor Type
TS 111	NTC 10 K
TS 112	NTC 30 K
TS 121	PT-100
TS 131	PT-1000

Sensor Type	Measuring Range	Beta Value	Sensitivity	Accuracy
NTC 10 K	(-40) - (+60)°C	B25/85 - 3435K	± 0,1 °C	± 0,5 %
NTC 30 K	(-40) - (+60)°C	B0/50 - 3892K	± 0,1 °C	± 0,5 %

Sensor Type	Measuring Range	Cable Cross Section + Length	Sensitivity	Accuracy
PT-100	(-50) - (+150)°C	5x50 + 1 m	± 0,1 °C	± 0,5 %
PT-1000	(-50) - (+150)°C	5x50 + 1 m	± 0,1 °C	± 0,1 %



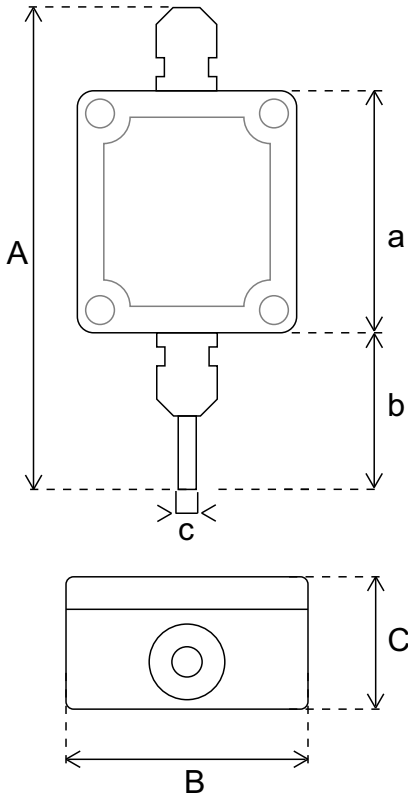
TS-31X // TEMPERATURE SENSOR

- Accurate and Precise Measuring
- Long Operating Life
- Easy Assembling
- IP 67 Plastic Case
- Extendable Sensor on Demand *

* Sensor cable length can be changed (0-10m) according to demand.
Metal probe length can be selected as 50mm or 100mm.



TECHNICAL SPECIFICATIONS



Product Informations	
Product Name	TS-31X Temperature Sensor
Sensor Type	NTC 10 K / NTC 30 K

Sensor	Measuring Range	Sensitivity	Accuracy
Temperature	(-40) - (+80)°C	± 0,1 °C	± 0,5 %

Product Code	Sensor Type	Beta Value	Dimensions		
			A	B	C
TS 311	NTC 10 K	B25/85 - 3435K	135 mm	58 mm	35 mm
			a	b	c
TS 312	NTC 30 K	B0/50 - 3892K	64 mm	50 mm	6 mm

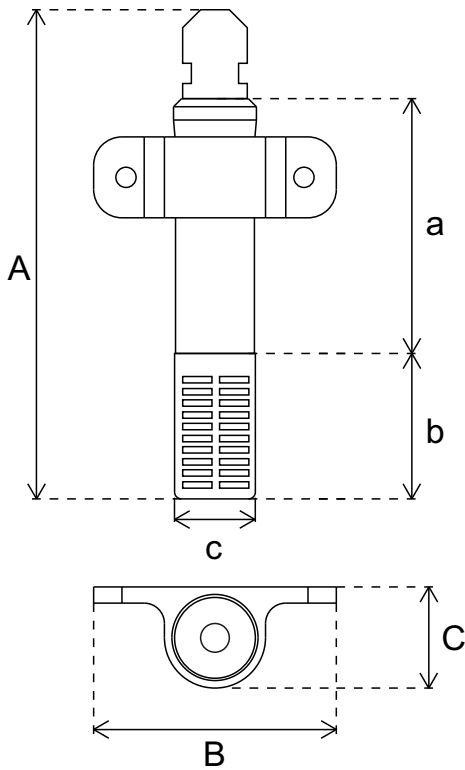


ST / NT-1XX // PEN TYPE TEMPERATURE & HUMIDITY / HUMIDITY TRANSMITTER

- Accurate and Precise Measuring
- Analog Output
- Long Operating Life
- Cleanable Filter
- Easy Assembling
- Extendable Sensor on Demand



TECHNICAL SPECIFICATIONS



Product Informations	
Product Name	ST/NT-1XX Pen Type Temperature & Humidity / Humidity Transmitter
Input	12-24 V DC
Output	0-10 V / 4-20 mA

Sensor	Measuring Range	Sensitivity	Accuracy
Temperature	0 - 50°C / (-20) - (+80)°C	± 0,1 °C	± 0,3 °C
Humidity	0 - 100 %	± % 1	± % 3

Product Code	Output Signal
ST 101 / NT 101	0-10 V
ST 141 / NT 141	4-20 mA

Dimensions		
A	B	C
121 mm	60 mm	25 mm
a	b	c
63 mm	36 mm	20 mm



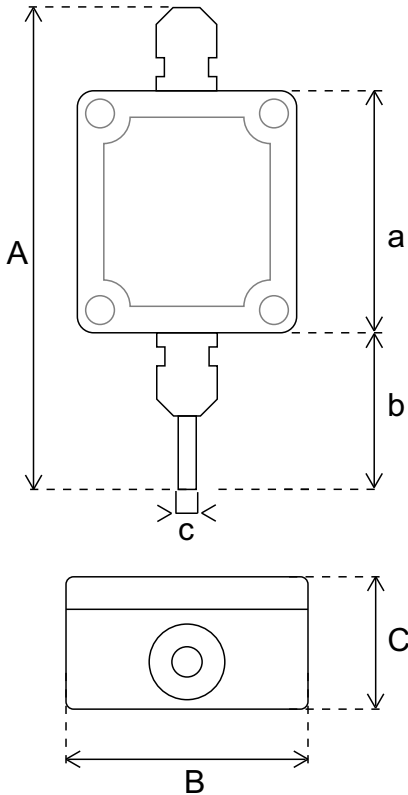
TT-3XX // TEMPERATURE TRANSMITTER

- Accurate and Precise Measuring
- Analog Output
- Long Operating Life
- Easy Assembling
- IP 67 Plastic Case

* Sensor cable length can be changed (0-10m) according to demand.
Metal probe length can be selected as 50mm or 100mm.



TECHNICAL SPECIFICATIONS



Product Informations	
Product Name	TT-3XX Temperature Transmitter
Input	12-24 V DC
Output	0-10 V / 4-20 mA / Modbus RTU

Sensor	Measuring Range	Sensitivity	Accuracy
Temperature	0 - 50°C (-20) - (+80)°C	± 0,1 °C	± 0,5 °C

Product Code	Output Signal
TT 301	0-10 V
TT 341	4-20 mA
TT 361	Modbus RTU

Dimensions		
A	B	C
135 mm	58 mm	35 mm
a	b	c
64 mm	50 mm	6 mm

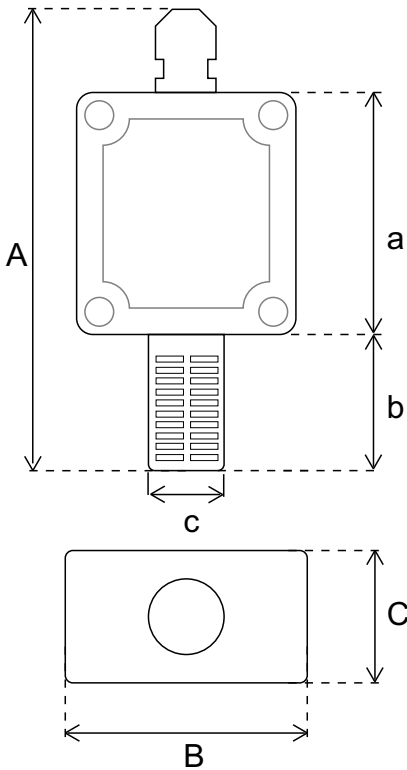


ST-3XX // TEMPERATURE & HUMIDITY TRANSMITTER / NT-3XX // HUMIDITY TRANSMITTER

- Accurate and Precise Measuring
- Analog Output
- Long Operating Life
- Cleanable Filter
- Easy Assembling
- IP 67 Plastic Case (Not Including Sensor)



TECHNICAL SPECIFICATIONS



Product Informations	
Product Name	ST-3XX Temperature & Humidity Transmitter NT-3XX Humidity Transmitter
Input	12-24 V DC
Output	0-10 V / 4-20 mA / Modbus RTU

Sensor	Measuring Range	Sensitivity	Accuracy
Temperature	0 - 50°C / (-20) - (+80)°C	± 0,1 °C	± 0,3 °C
Humidity	0 - 100 %	± % 1	± % 3

Product Code	Output Signal
ST 301 / NT 301	0-10 V
ST 341 / NT 341	4-20 mA
ST 361 / NT 361	Modbus RTU

Dimensions		
A	B	C
122 mm	58 mm	35 mm
a	b	c
64 mm	36 mm	20 mm

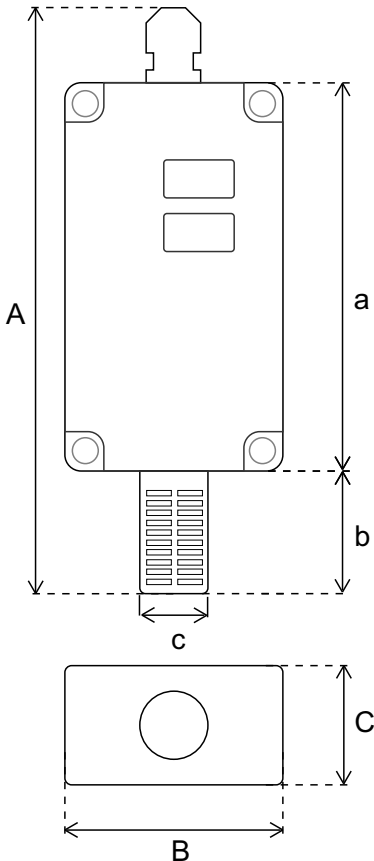


ST-4XX // TEMPERATURE & HUMIDITY TRANSMITTER WITH DISPLAY

- Accurate and Precise Measuring
- Analog Output
- Durable and Handy Design
- Long Operating Life
- Cleanable Filter
- Easy Assembling
- IP 67 Plastic Case (Not Including Sensor)



TECHNICAL SPECIFICATIONS



Product Informations	
Product Name	ST-4XX Temperature & Humidity Transmitter with Display
Input	12-24 V DC
Output	0-10 V / 4-20 mA / Modbus RTU

Sensor	Measuring Range	Sensitivity	Accuracy
Temperature	0 - 50°C / (-20) - (+80)°C	± 0,1 °C	± 0,3 °C
Humidity	0 - 100 %	± % 1	± % 3

Product Code	Output Signal
ST 401	0-10 V
ST 441	4-20 mA
ST 461	Modbus RTU

Dimensions		
A	B	C
172 mm	65 mm	40 mm
a	b	c
115 mm	36 mm	20 mm





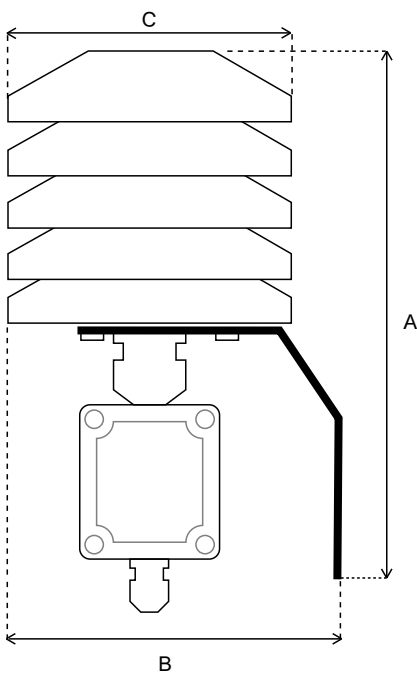
DT-3XX // OUTSIDE TEMPERATURE & HUMIDITY TRANSMITTER

OUTSIDE SENSOR

- Radiation and Rain Protection
- Accurate and Precise Measuring
- Analog Output
- Long Operating Life
- Easy Assembling
- IP 67 Plastic Case (Not Including Sensor)



TECHNICAL SPECIFICATIONS



Product Informations	
Product Name	DT-3XX Outside Temperature & Humidity Transmitter
Input	12-24 V DC
Output	0-10 V / 4-20 mA / Modbus RTU

Sensor	Measuring Range	Sensitivity	Accuracy
Temperature	0 - 50°C / (-20) - (+80)°C	± 0,1 °C	± 0,3 °C
Humidity	0 - 100 %	± % 1	± % 3

Product Code	Output Signal
DT 301	0-10 V
DT 341	4-20 mA
DT 361	Modbus RTU

Dimensions		
A	B	C
258 mm	142 mm	110 mm



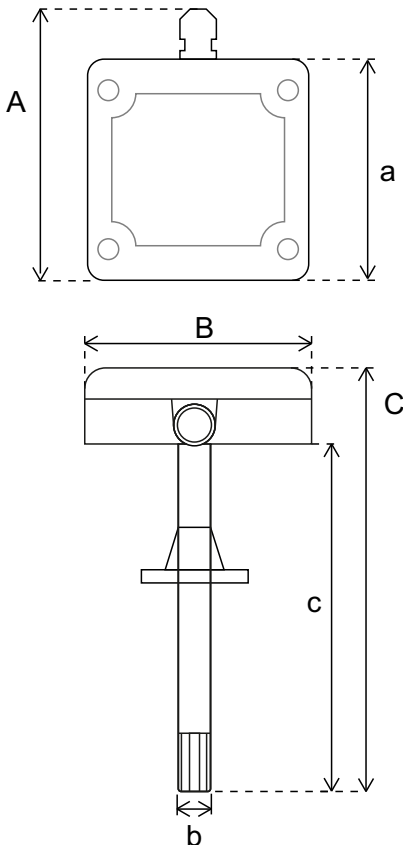
ST-2XX // TEMPERATURE & HUMIDITY TRANSMITTER / NT-2XX // HUMIDITY TRANSMITTER

DUCT TYPE

- Accurate and Precise Measuring
- Analog Output
- Long Operating Life
- Cleanable Filter
- Easy Assembling
- IP 67 Plastic Case (Not Including Sensor)



TECHNICAL SPECIFICATIONS



Product Informations	
Product Name	ST-2XX Temperature & Humidity Duct Type Transmitter NT-2XX Humidity Duct Type Transmitter
Input	12-24 V DC
Output	0-10 V / 4-20 mA / Modbus RTU

Sensor	Measuring Range	Sensitivity	Accuracy
Temperature	0 - 50°C / (-20) - (+80)°C	± 0,1 °C	± 0,3 °C
Humidity	0 - 100 %	± % 1	± % 3

Product Code	Output Signal
ST 201 / NT 201	0-10 V
ST 241 / NT 241	4-20 mA
ST 261 / NT 261	Modbus RTU

Dimensions		
A	B	C
102 mm	80 mm	229 mm
a	b	c
80 mm	15 mm	191 mm

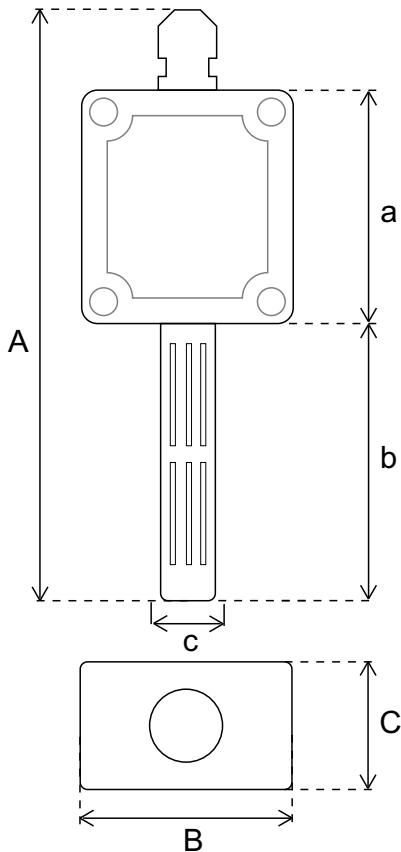


KT-3X1 // CARBON DIOXIDE (CO₂) TRANSMITTER

- Accurate and Precise Measuring
- Analog Output
- Durable and Handy Design
- Long Operating Life
- Cleanable Filter
- Easy Assembling
- IP 67 Plastic Case (Not Including Sensor)



TECHNICAL SPECIFICATIONS



Product Informations	
Product Name	KT-3X1 Carbon Dioxide (CO ₂) Transmitter
Input	12-24 V DC
Output	0-10 V / 4-20 mA / Modbus RTU

Sensor	Measuring Range	Sensitivity	Accuracy
Carbon Dioxide (CO ₂)	0 - 5.000 ppm 0 - 10.000 ppm	± 10 ppm	± 50 ppm+%2

Product Code	Output Signal
KT 301	0-10 V
KT 341	4-20 mA
KT 361	Modbus RTU

Dimensions		
A	B	C
164 mm	58 mm	35 mm
a	b	c
64 mm	78 mm	16 mm

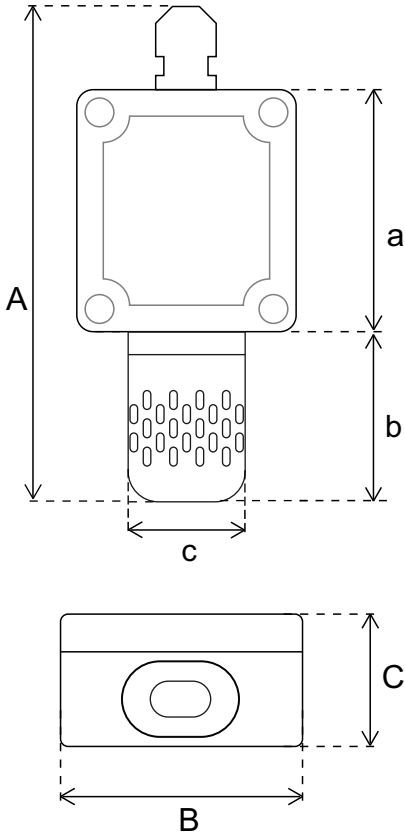


KT-3X5 // CARBON DIOXIDE TRANSMITTER / KT-3X6 // HUMIDITY & (CO₂) TRANSMITTER

- Accurate and Precise Measuring
- Analog Output
- Durable and Handy Design
- Long Operating Life
- Cleanable Filter
- Easy Assembling
- IP 67 Plastic Case (Not Including Sensor)



TECHNICAL SPECIFICATIONS



Product Informations	
Product Name	KT-3X5 Carbon Dioxide (CO ₂) Transmitter KT-3X6 Humidity & Carbon Dioxide (CO ₂) Transmitter
Input	12-24 V DC
Output	0-10 V / 4-20 mA / Modbus RTU

Sensor	Measuring Range	Sensitivity	Accuracy
Carbon Dioxide (CO ₂)	0-5.000 ppm / 0-10.000 ppm	± 10 ppm	± 50 ppm+%2
Humidity	0 - 100 %	± % 1	± % 3

Product Code	Output Signal
KT 305 / KT 306	0-10 V
KT 345 / KT 346	4-20 mA
KT 365 / KT 366	Modbus RTU

Dimensions		
A	B	C
131 mm	58 mm	35 mm
a	b	c
64 mm	45 mm	31 mm

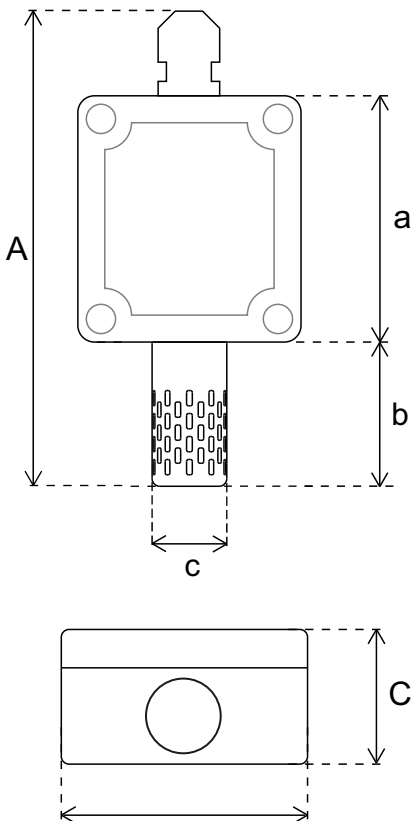


KT-3X9 // CARBON DIOXIDE (CO₂) TRANSMITTER

- Accurate and Precise Measuring
- Analog Output
- Durable and Handy Design
- Long Operating Life
- Cleanable Filter
- Easy Assembling
- IP 67 Plastic Case (Not Including Sensor)



TECHNICAL SPECIFICATIONS



Product Informations	
Product Name	KT-3X9 Carbon Dioxide (CO ₂) Transmitter
Input	12-24 V DC
Output	0-10 V / 4-20 mA / Modbus RTU

Sensor	Measuring Range	Sensitivity	Accuracy
Carbon Dioxide (CO ₂)	0-100 % Vol	± 0.2 % Vol	± 0.5 % Vol

Product Code	Output Signal
KT 309	0-10 V
KT 349	4-20 mA
KT 369	Modbus RTU

Dimensions		
A	B	C
124 mm	58 mm	35 mm
a	b	c
64 mm	38 mm	20 mm

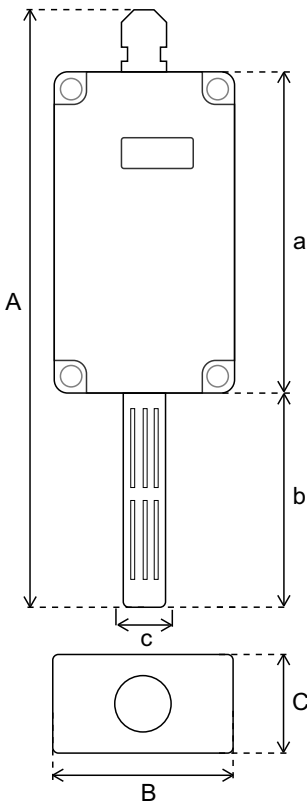


KT-4X1 // CARBON DIOXIDE (CO₂) TRANSMITTER WITH DISPLAY

- Accurate and Precise Measuring
- Analog Output
- Durable and Handy Design
- Long Operating Life
- Cleanable Filter
- Easy Assembling
- IP 67 Plastic Case (Not Including Sensor)



TECHNICAL SPECIFICATIONS



Product Informations	
Product Name	KT-4X1 Carbon Dioxide (CO ₂) Transmitter with Display
Input	12-24 V DC
Output	0-10 V / 4-20 mA / Modbus RTU

Sensor	Measuring Range	Sensitivity	Accuracy
Carbon Dioxide (CO ₂)	0 - 5.000 ppm 0 - 10.000 ppm	± 10 ppm	± 50 ppm+%2

Product Code	Output Signal
KT 401	0-10 V
KT 441	4-20 mA
KT 461	Modbus RTU

Dimensions		
A	B	C
215 mm	65 mm	40 mm
a	b	c
115 mm	78 mm	16 mm

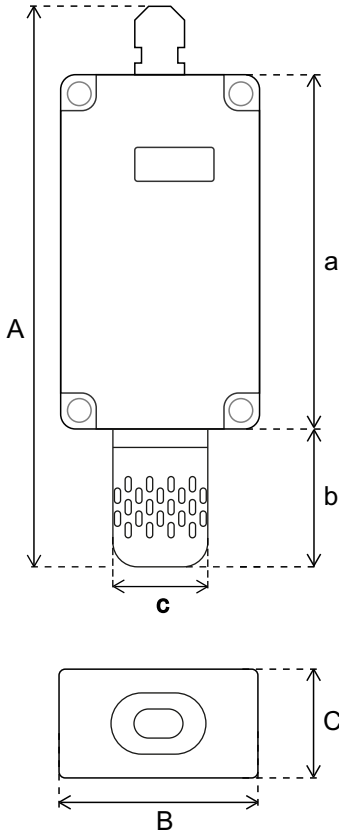


KT-4X5 // CARBON DIOXIDE (CO₂) TRANSMITTER WITH DISPLAY

- Accurate and Precise Measuring
- Analog Output
- Durable and Handy Design
- Long Operating Life
- Cleanable Filter
- Easy Assembling
- IP 67 Plastic Case (Not Including Sensor)



TECHNICAL SPECIFICATIONS



Product Informations	
Product Name	KT-4X5 Carbon Dioxide (CO ₂) Transmitter with Display
Input	12-24 V DC
Output	0-10 V / 4-20 mA / Modbus RTU

Sensor	Measuring Range	Sensitivity	Accuracy
Carbon Dioxide (CO ₂)	0 - 5.000 ppm 0 - 10.000 ppm	± 10 ppm	± 50 ppm+%2

Product Code	Output Signal
KT 405	0-10 V
KT 445	4-20 mA
KT 465	Modbus RTU

Dimensions		
A	B	C
182 mm	65 mm	40 mm
a	b	c
115 mm	45 mm	31mm



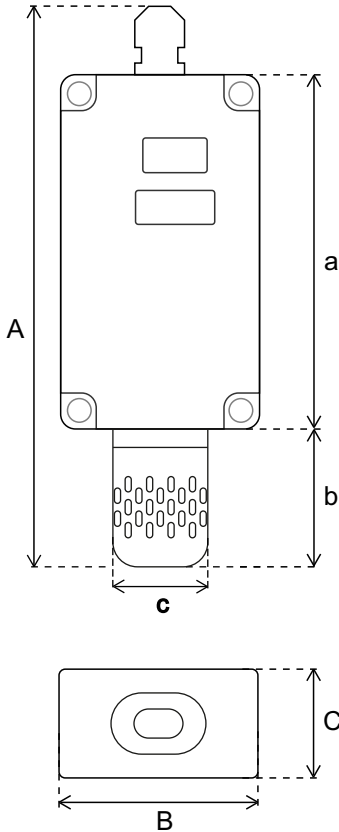


KT-4X6 // HUMIDITY & CARBON DIOXIDE (CO₂) TRANSMITTER WITH DISPLAY

- Accurate and Precise Measuring
- Analog Output
- Durable and Handy Design
- Long Operating Life
- Cleanable Filter
- Easy Assembling
- IP 67 Plastic Case (Not Including Sensor)



TECHNICAL SPECIFICATIONS



Product Informations	
Product Name	KT-4X6 Humidity & Carbon Dioxide (CO ₂) Transmitter with Display
Input	12-24 V DC
Output	0-10 V / 4-20 mA / Modbus RTU

Sensor	Measuring Range	Sensitivity	Accuracy
Carbon Dioxide (CO ₂)	0-5.000 ppm / 0-10.000 ppm	± 10 ppm	± 50 ppm+%2
Humidity	0 - 100 %	± % 1	± % 3

Product Code	Output Signal
KT 406	0-10 V
KT 446	4-20 mA
KT 466	Modbus RTU

Dimensions		
A	B	C
182 mm	65 mm	40 mm
a	b	c
115 mm	45 mm	31mm



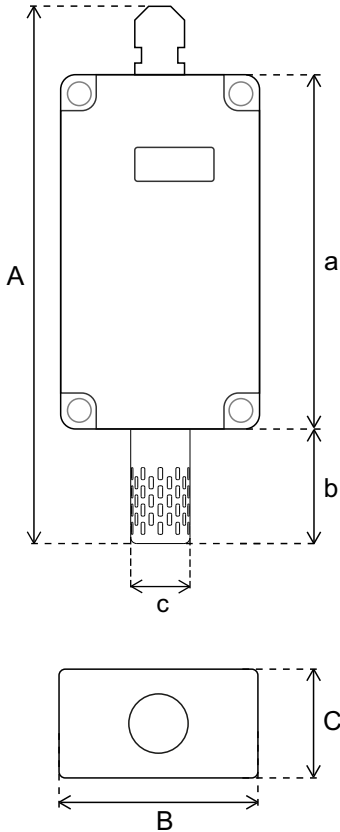


KT-4X9 // CARBON DIOXIDE (CO₂) TRANSMITTER WITH DISPLAY

- Accurate and Precise Measuring
- Analog Output
- Durable and Handy Design
- Long Operating Life
- Cleanable Filter
- Easy Assembling
- IP 67 Plastic Case (Not Including Sensor)



TECHNICAL SPECIFICATIONS



Product Informations	
Product Name	KT-3X9 Carbon Dioxide (CO ₂) Transmitter with Display
Input	12-24 V DC
Output	0-10 V / 4-20 mA / Modbus RTU

Sensor	Measuring Range	Sensitivity	Accuracy
Carbon Dioxide (CO ₂)	0-100 % Vol	± 0.2 % Vol	± 0.5 % Vol

Product Code	Output Signal
KT 409	0-10 V
KT 449	4-20 mA
KT 469	Modbus RTU

Dimensions		
A	B	C
175 mm	65 mm	40 mm
a	b	c
115 mm	38 mm	20 mm

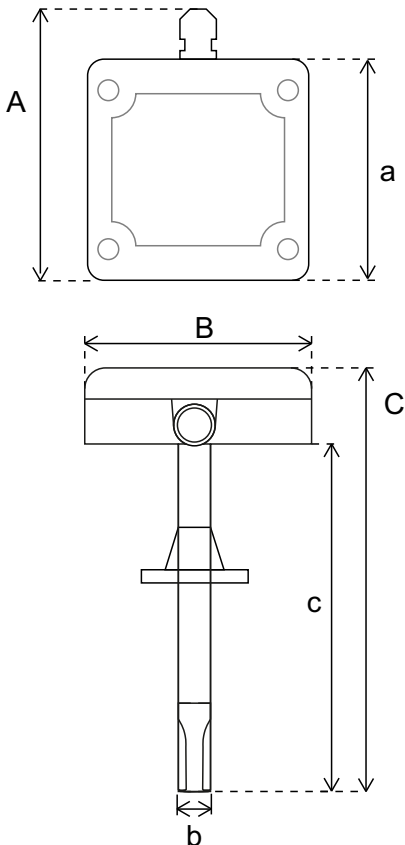


KT-2XX // CARBON DIOXIDE (CO₂) DUCT TYPE TRANSMITTER

- Accurate and Precise Measuring
- Analog Output
- Durable and Handy Design
- Long Operating Life
- Easy Assembling
- Mounting Bracket
- IP 67 Plastic Case (Not Including Air Entrance For Sensor)



TECHNICAL SPECIFICATIONS



Product Informations	
Product Name	KT-2XX Carbon Dioxide (CO ₂) Duct Type Transmitter
Input	12-24 V DC
Output	0-10 V / 4-20 mA / Modbus RTU

Sensor	Measuring Range	Sensitivity	Accuracy
Carbon Dioxide (CO ₂)	0 - 5.000 ppm 0 - 10.000 ppm	± 10 ppm	± 50 ppm+%2

Product Code	Output Signal
KT 201	0-10 V
KT 241	4-20 mA
KT 261	Modbus RTU

Dimensions		
A	B	C
102 mm	80 mm	231 mm
a	b	c
80 mm	15 mm	193 mm

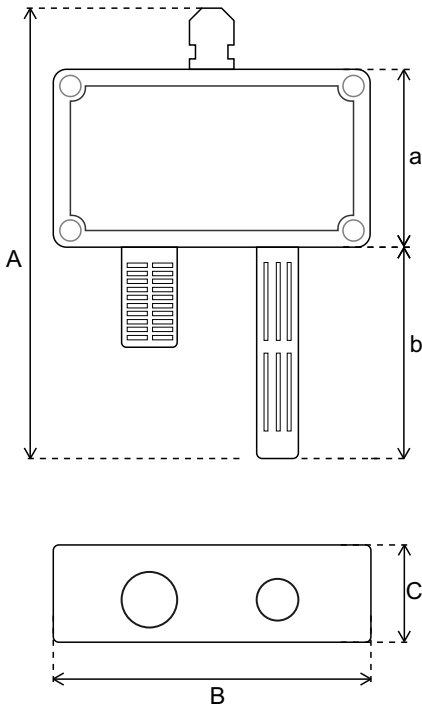


KT-5X1 // TEMPERATURE, HUMIDITY & CARBON DIOXIDE (CO₂) TRANSMITTER

- Accurate and Precise Measuring
- Analog Output
- Durable and Handy Design
- Long Operating Life
- Cleanable Filter
- Easy Assembling
- IP 67 Plastic Case (Not Including Sensor)



TECHNICAL SPECIFICATIONS



Product Informations	
Product Name	KT-5X1 Temperature, Humidity & Carbon Dioxide (CO ₂) Transmitter
Input	12-24 V DC
Output	0-10 V / 4-20 mA / Modbus RTU

Sensor	Measuring Range	Sensitivity	Accuracy
Temperature	0 - 50°C / (-20) - (+80)°C	± 0,1 °C	± 0,3 °C
Humidity	0 - 100 %	± % 1	± % 3
Carbon Dioxide (CO ₂)	0 - 5.000 ppm 0 - 10.000 ppm	± 10 ppm	± 50 ppm+%2

Product Code	Output Signal
KT 501	0-10 V
KT 541	4-20 mA
KT 561	Modbus RTU

Dimensions		
A	B	C
164 mm	115 mm	40 mm
a	b	
65 mm	78 mm	

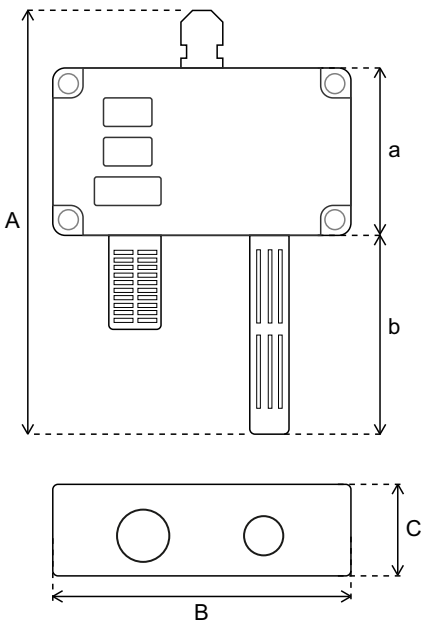


KT-6X1 // TEMPERATURE, HUMIDITY & CARBON DIOXIDE (CO₂) TRANSMITTER WITH DISPLAY

- Accurate and Precise Measuring
- Analog Output
- Durable and Handy Design
- Long Operating Life
- Cleanable Filter
- Easy Assembling
- IP 67 Plastic Case (Not Including Sensor)



TECHNICAL SPECIFICATIONS



Product Informations	
Product Name	KT-6X1 Temperature, Humidity & Carbon Dioxide (CO ₂) Transmitter with Display
Input	12-24 V DC
Output	0-10 V / 4-20 mA / Modbus RTU

Sensor	Measuring Range	Sensitivity	Accuracy
Temperature	0 - 50°C / (-20) - (+80)°C	± 0,1 °C	± 0,3 °C
Humidity	0 - 100 %	± % 1	± % 3
Carbon Dioxide (CO ₂)	0 - 5.000 ppm 0 - 10.000 ppm	± 10 ppm	± 50 ppm+%2

Product Code	Output Signal
KT 601	0-10 V
KT 641	4-20 mA
KT 661	Modbus RTU

Dimensions		
A	B	C
164 mm	115 mm	40 mm
a	b	
65 mm	78 mm	



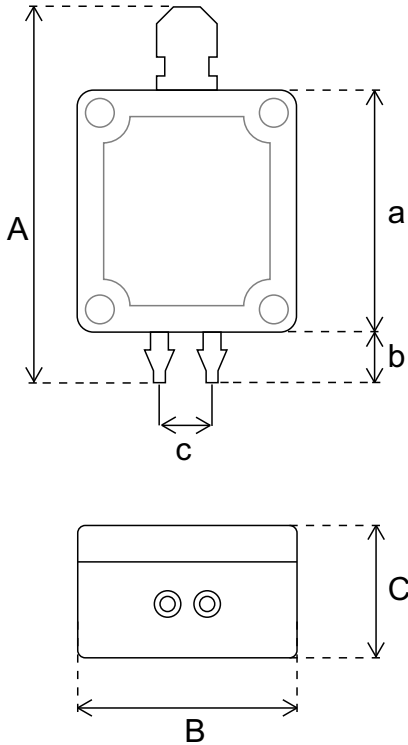


BT-3X1 // DIFFERENTIAL PRESSURE TRANSMITTER

- Accurate and Precise Measuring
- Analog Output
- Durable and Handy Design
- Long Operating Life
- Easy Assembling
- IP 67 Plastic Case (Not Including Sensor)



TECHNICAL SPECIFICATIONS



Product Informations	
Product Name	BT-3X1 Differential Pressure Transmitter
Input	12-24 V DC
Output	0-10 V / 4-20 mA / Modbus RTU

Sensor	Measuring Range	Sensitivity	Accuracy
Pressure	0-100 Pa / 0-125 Pa (-125) - (+125) Pa (-500) - (+500) Pa	± 1 Pa	± %3

Product Code	Output Signal
BT 301	0-10 V
BT 341	4-20 mA
BT 361	Modbus RTU

Dimensions		
A	B	C
96 mm	58 mm	35 mm
a	b	c
64 mm	10 mm	12 mm

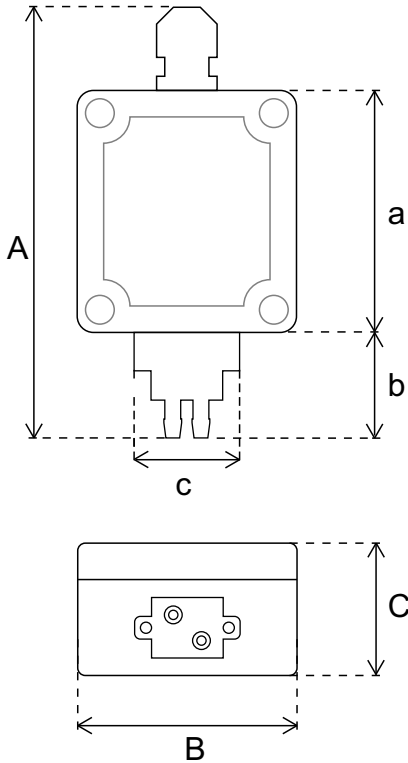


BT-3X5 // DIFFERENTIAL PRESSURE TRANSMITTER

- Accurate and Precise Measuring
- Analog Output
- Durable and Handy Design
- Long Operating Life
- Easy Assembling
- IP 67 Plastic Case (Not Including Sensor)



TECHNICAL SPECIFICATIONS



Product Informations	
Product Name	BT-3X5 Differential Pressure Transmitter
Input	12-24 V DC
Output	0-10 V / 4-20 mA / Modbus RTU

Sensor	Measuring Range	Sensitivity	Accuracy
Pressure	0-1.000 Pa 0-5.000 Pa 0-10.000 Pa	± 10 Pa	± %0,5

Product Code	Output Signal
BT 305	0-10 V
BT 345	4-20 mA
BT 365	Modbus RTU

Dimensions		
A	B	C
114 mm	58 mm	35 mm
a	b	c
64 mm	28 mm	28 mm

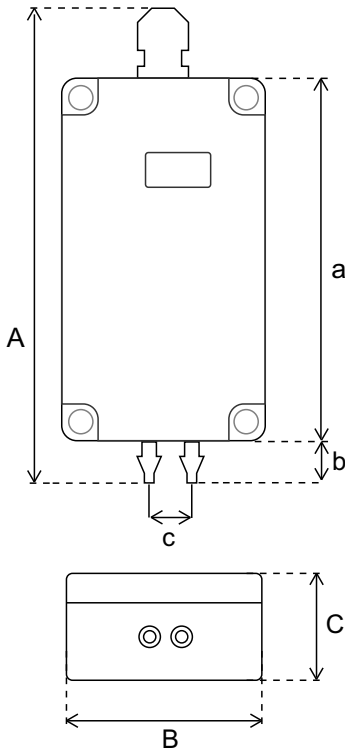


BT-4X1 // DIFFERENTIAL PRESSURE TRANSMITTER WITH DISPLAY

- Accurate and Precise Measuring
- Analog Output
- Durable and Handy Design
- Long Operating Life
- Easy Assembling
- IP 67 Plastic Case (Not Including Sensor)



TECHNICAL SPECIFICATIONS



Product Informations	
Product Name	BT-4X1 Differential Pressure Transmitter with Display
Input	12-24 V DC
Output	0-10 V / 4-20 mA / Modbus RTU

Sensor	Measuring Range	Sensitivity	Accuracy
Pressure	0-100 Pa / 0-125 Pa (-125) - (+125) Pa (-500) - (+500) Pa	± 1 Pa	$\pm \%3$

Product Code	Output Signal
BT 401	0-10 V
BT 441	4-20 mA
BT 461	Modbus RTU

Dimensions		
A	B	C
147 mm	65 mm	40 mm
a	b	c
115 mm	10 mm	12 mm

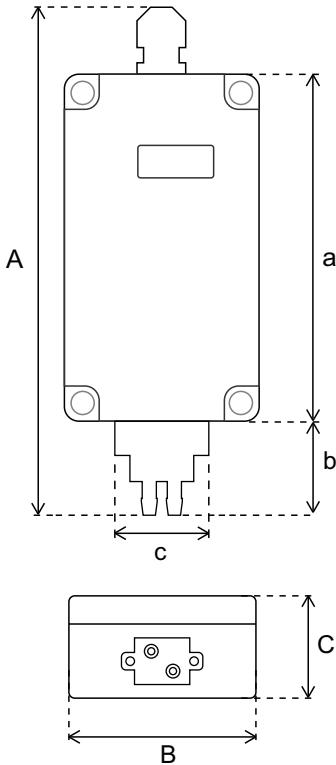


BT-4X5 // DIFFERENTIAL PRESSURE TRANSMITTER WITH DISPLAY

- Accurate and Precise Measuring
- Analog Output
- Durable and Handy Design
- Long Operating Life
- Easy Assembling
- IP 67 Plastic Case (Not Including Sensor)



TECHNICAL SPECIFICATIONS



Product Informations	
Product Name	BT-4X5 Differential Pressure Transmitter with Display
Input	12-24 V DC
Output	0-10 V / 4-20 mA / Modbus RTU

Sensor	Measuring Range	Sensitivity	Accuracy
Pressure	0-1.000 Pa 0-5.000 Pa 0-10.000 Pa	± 10 Pa	$\pm \%0,5$

Product Code	Output Signal
BT 405	0-10 V
BT 445	4-20 mA
BT 465	Modbus RTU

Dimensions		
A	B	C
165 mm	65 mm	40 mm
a	b	c
115 mm	28 mm	28 mm

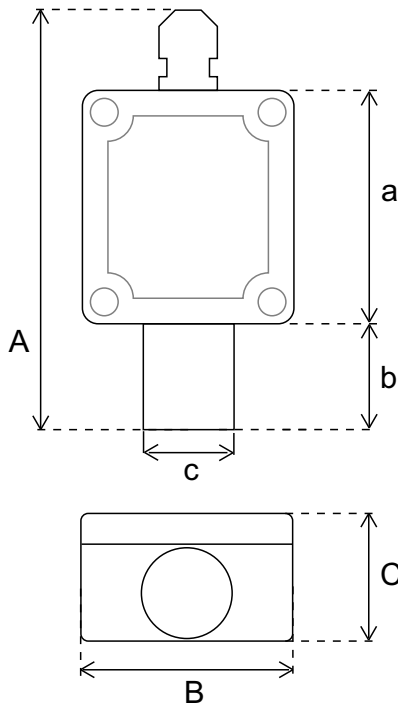


AT-3XX // AMMONIA (NH₃) TRANSMITTER

- Accurate and Precise Measuring
- Analog Output
- Durable and Handy Design
- 2 Years Sensor Operating Life
- Easy Replaceable Sensor
- Easy Assembling
- IP 67 Plastic Case (Not Including Sensor)



TECHNICAL SPECIFICATIONS



Product Informations	
Product Name	AT-3XX Ammonia (NH ₃) Transmitter
Input	12-24 V DC
Output	0-10 V / 4-20 mA / Modbus RTU
Sensor Operating Life	2 Years

Sensor	Measuring Range	Sensitivity	Accuracy
Ammonia (NH ₃)	0-100 ppm	± 1 ppm	± 2 ppm

Product Code	Output Signal
AT 301	0-10 V
AT 341	4-20 mA
AT 361	Modbus RTU

Dimensions		
A	B	C
110 mm	58 mm	35 mm
a	b	c
64 mm	24 mm	24 mm

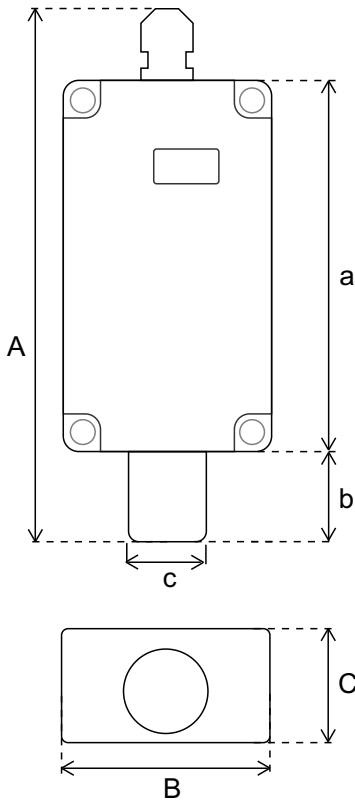


AT-4XX // AMMONIA (NH₃) TRANSMITTER WITH DISPLAY

- Accurate and Precise Measuring
- Analog Output
- Durable and Handy Design
- 2 Years Sensor Operating Life
- Easy Replaceable Sensor
- Easy Assembling
- IP 67 Plastic Case (Not Including Sensor)



TECHNICAL SPECIFICATIONS



Product Informations	
Product Name	AT-4XX Ammonia (NH ₃) Transmitter with Display
Input	12-24 V DC
Output	0-10 V / 4-20 mA / Modbus RTU
Sensor Operating Life	2 Years

Sensor	Measuring Range	Sensitivity	Accuracy
Ammonia (NH ₃)	0-100 ppm	± 1 ppm	± 2 ppm

Product Code	Output Signal
AT 401	0-10 V
AT 441	4-20 mA
AT 461	Modbus RTU

Dimensions		
A	B	C
161 mm	65 mm	40 mm
a	b	c
115 mm	24 mm	24 mm

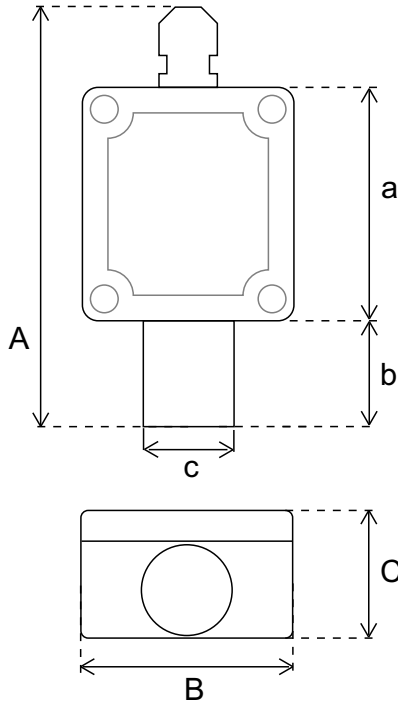


ET-3XX // ETHYLENE (C₂H₄) TRANSMITTER

- Accurate and Precise Measuring
- Analog Output
- Durable and Handy Design
- 2 Years Sensor Operating Life
- Easy Replaceable Sensor
- Easy Assembling
- IP 67 Plastic Case (Not Including Sensor)



TECHNICAL SPECIFICATIONS



Product Informations	
Product Name	ET-3XX Ethylene (C ₂ H ₄) Transmitter
Input	12-24 V DC
Output	0-10 V / 4-20 mA / Modbus RTU
Sensor Operating Life	2 Years

Sensor	Measuring Range	Sensitivity	Accuracy
Ethylene (C ₂ H ₄)	0-10 ppm / 0-100 ppm	± 0,1 ppm	± 1 ppm

Product Code	Output Signal
ET 301	0-10 V
ET 341	4-20 mA
ET 361	Modbus RTU

Dimensions		
A	B	C
110 mm	58 mm	35 mm
a	b	c
64 mm	24 mm	24 mm

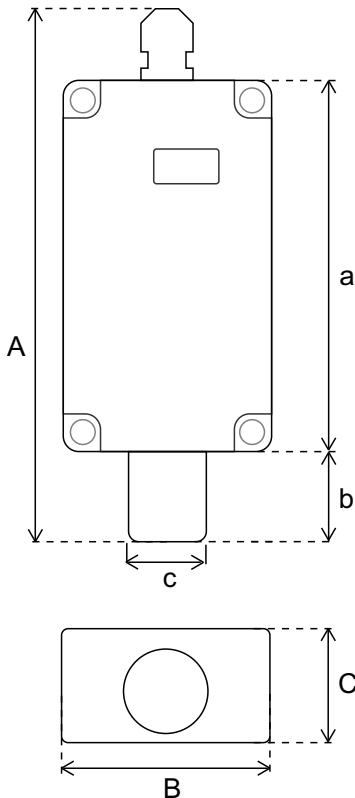


ET-4XX // ETHYLENE (C₂H₄) TRANSMITTER WITH DISPLAY

- Accurate and Precise Measuring
- Analog Output
- Durable and Handy Design
- 2 Years Sensor Operating Life
- Easy Replaceable Sensor
- Easy Assembling
- IP 67 Plastic Case (Not Including Sensor)



TECHNICAL SPECIFICATIONS



Product Informations	
Product Name	ET-4XX Ethylene (C ₂ H ₄) Transmitter with Display
Input	12-24 V DC
Output	0-10 V / 4-20 mA / Modbus RTU
Sensor Operating Life	2 Years

Sensor	Measuring Range	Sensitivity	Accuracy
Ethylene (C ₂ H ₄)	0-10 ppm / 0-100 ppm	± 0,1 ppm	± 1 ppm

Product Code	Output Signal
ET 401	0-10 V
ET 441	4-20 mA
ET 461	Modbus RTU

Dimensions		
A	B	C
161 mm	65 mm	40 mm
a	b	c
115 mm	24 mm	24 mm

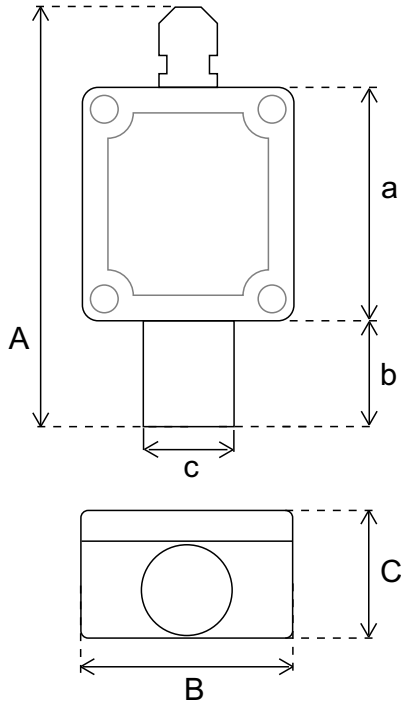


CT-3XX // CARBON MONOXIDE (CO) TRANSMITTER

- Accurate and Precise Measuring
- Analog Output
- Durable and Handy Design
- 2 Years Sensor Operating Life
- Easy Replaceable Sensor
- Easy Assembling
- IP 67 Plastic Case (Not Including Sensor)



TECHNICAL SPECIFICATIONS



Product Informations	
Product Name	CT-3XX Carbon Monoxide (CO) Transmitter
Input	12-24 V DC
Output	0-10 V / 4-20 mA / Modbus RTU
Sensor Operating Life	2 Years

Sensor	Measuring Range	Sensitivity	Accuracy
Carbon Monoxide (CO)	0-1000 ppm	± 1 ppm	± 5 ppm

Product Code	Output Signal
CT 301	0-10 V
CT 341	4-20 mA
CT 361	Modbus RTU

Dimensions		
A	B	C
110 mm	58 mm	35 mm
a	b	c
64 mm	24 mm	24 mm

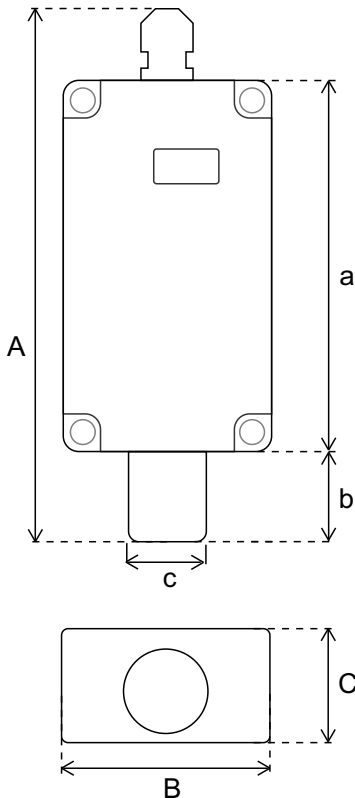


CT-4XX // CARBON MONOXIDE (CO) TRANSMITTER WITH DISPLAY

- Accurate and Precise Measuring
- Analog Output
- Durable and Handy Design
- 2 Years Sensor Operating Life
- Easy Replaceable Sensor
- Easy Assembling
- IP 67 Plastic Case (Not Including Sensor)



TECHNICAL SPECIFICATIONS



Product Informations	
Product Name	CT-4XX Carbon Monoxide (CO) Transmitter with Display
Input	12-24 V DC
Output	0-10 V / 4-20 mA / Modbus RTU
Sensor Operating Life	2 Years

Sensor	Measuring Range	Sensitivity	Accuracy
Carbon Monoxide (CO)	0-1000 ppm	± 1 ppm	± 5 ppm

Product Code	Output Signal
CT 401	0-10 V
CT 441	4-20 mA
CT 461	Modbus RTU

Dimensions		
A	B	C
161 mm	65 mm	40 mm
a	b	c
115 mm	24 mm	24 mm



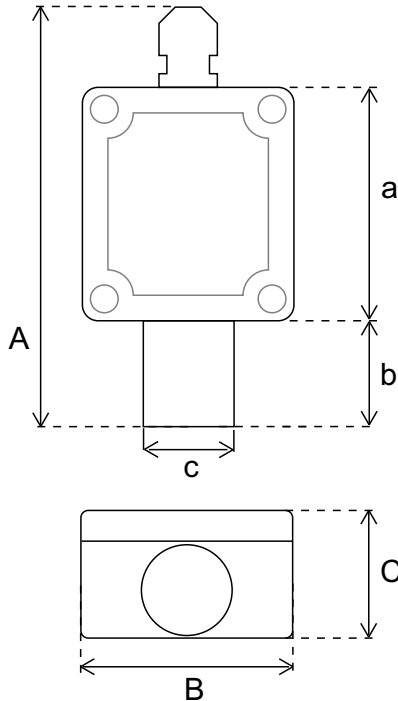


OT-3XX // OXYGEN (O₂) TRANSMITTER

- Accurate and Precise Measuring
- Analog Output
- Durable and Handy Design
- 2 Years Sensor Operating Life
- Easy Replaceable Sensor
- Easy Assembling
- IP 67 Plastic Case (Not Including Sensor)



TECHNICAL SPECIFICATIONS



Product Informations	
Product Name	OT-3XX Oxygen (O ₂) Transmitter
Input	12-24 V DC
Output	0-10 V / 4-20 mA / Modbus RTU
Sensor Operating Life	2 Years

Sensor	Measuring Range	Sensitivity	Accuracy
Oxygen (O ₂)	0-25 % VOL	± 0.1 % VOL	± 1 % VOL

Product Code	Output Signal
OT 301	0-10 V
OT 341	4-20 mA
OT 361	Modbus RTU

Dimensions		
A	B	C
110 mm	58 mm	35 mm
a	b	c
64 mm	24 mm	24 mm

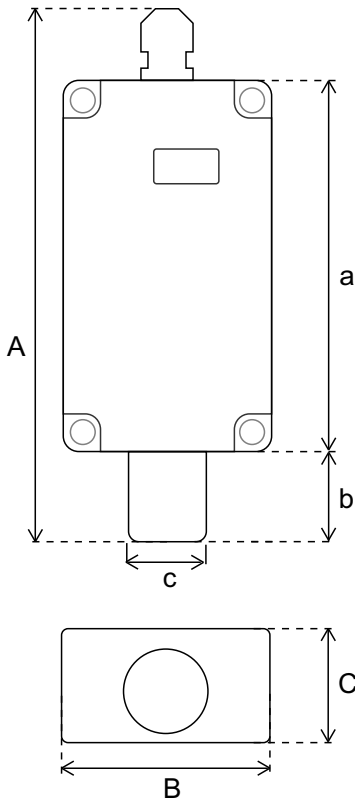


OT-4XX // OXYGEN (O₂) TRANSMITTER WITH DISPLAY

- Accurate and Precise Measuring
- Analog Output
- Durable and Handy Design
- 2 Years Sensor Operating Life
- Easy Replaceable Sensor
- Easy Assembling
- IP 67 Plastic Case (Not Including Sensor)



TECHNICAL SPECIFICATIONS



Product Informations	
Product Name	OT-4XX Oxygen (O ₂) Transmitter with Display
Input	12-24 V DC
Output	0-10 V / 4-20 mA / Modbus RTU
Sensor Operating Life	2 Years

Sensor	Measuring Range	Sensitivity	Accuracy
Oxygen (O ₂)	0-25 % VOL	± 0.1 % VOL	± 1 % VOL

Product Code	Output Signal
OT 401	0-10 V
OT 441	4-20 mA
OT 461	Modbus RTU

Dimensions		
A	B	C
161 mm	65 mm	40 mm
a	b	c
115 mm	24 mm	24 mm

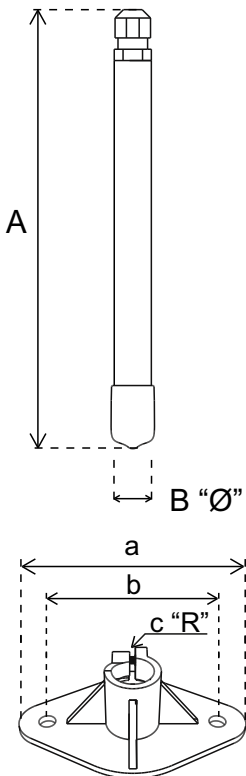


HT-2XX // AIR VELOCITY TRANSMITTER

- Accurate and Precise Measuring
- Analog Output
- Durable and Handy Design
- Long Operating Life
- Easy Assembling
- IP 67 Plastic Case (Not Including Sensor)



TECHNICAL SPECIFICATIONS



Product Informations	
Product Name	HT-2XX Air Velocity Transmitter
Input	24 V DC / 12 V DC (HT-202)
Output	0-5 V / 0-10 V / 4-20 mA / Modbus RTU

Sensor	Measuring Range	Sensitivity	Accuracy
Air Velocity	0 - 10 m/s 0 - 5 m/s (HT-202)	± 0,1 m/s	± 0,2 m/s

Product Code	Output Signal
HT 201 / HT 202	0-10 V / 0-5 V
HT 241	4-20 mA
HT 261	Modbus RTU

Dimensions		
A	B	
167 mm	14 mm	
a	b	c
80 mm	60 mm	7,25 mm



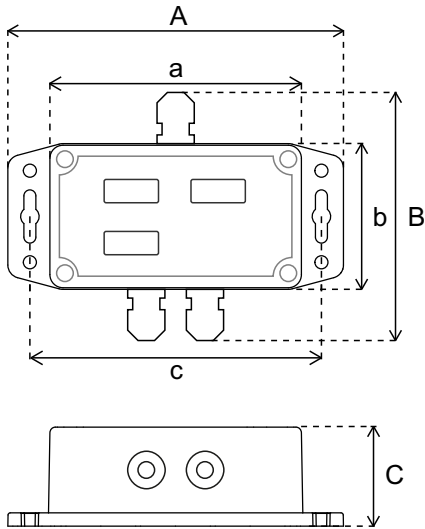


EG-6XX // DIGITAL DISPLAY

- Accurate and Precise Measuring
- 3 Analog Input
- Durable and Handy Design
- Long Operating Life
- Easy Assembling
- IP 67 Plastic Case (Not Including Sensor)
- Switchable Sensor Inputs on Demand



TECHNICAL SPECIFICATIONS



Product Informations	
Product Name	EG-601 Temperature, Humidity & Carbon Dioxide (CO ₂) Display
Input	12-24 V DC

Sensor	Measuring Range	Sensitivity	Accuracy
Temperature	0 - 50°C / (-20) - (+80)°C	± 0,1 °C	± 0,3 °C
Humidity	0 - 100 %	± % 1	± % 3
Carbon Dioxide (CO ₂)	0 - 5.000 ppm 0 - 10.000 ppm	± 10 ppm	± 50 ppm+%2

Dimensions					
A	B	C	a	b	c
152 mm	109 mm	60 mm	115 mm	65 mm	113 mm



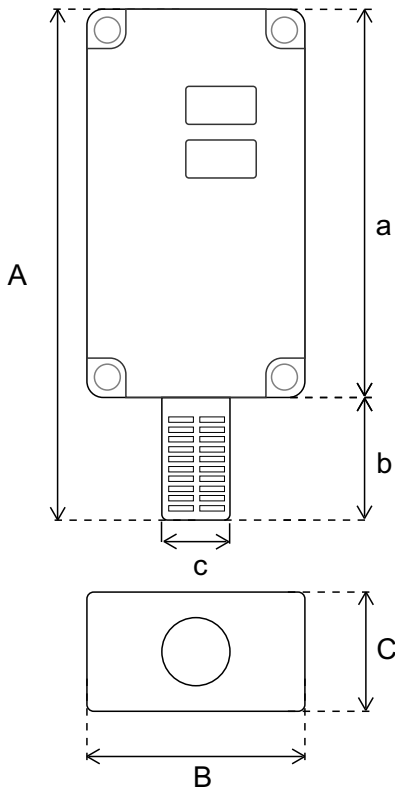


SS-412 // PORTABLE TEMPERATURE & HUMIDITY SENSOR

- Accurate and Precise Measuring
- Internal Battery
- Durable and Handy Design
- Long Operating Life
- Cleanable Filter
- IP 67 Plastic Case (Not Including Sensor)



TECHNICAL SPECIFICATIONS



Product Informations	
Product Name	SS-412 Portable Temperature & Humidity Sensor
Input	12 V DC

Sensor	Measuring Range	Sensitivity	Accuracy
Temperature	(-10) - (+60)°C (-40) - (+60)°C * (-40) - (+100)°C **	± 0,1 °C	± 0,3 °C
Humidity	0 - 100 %	± % 1	± % 3

* Sensor with at least 1 meter cable

** Sensor with at least 1 meter cable and sintered

Dimensions					
A	B	C	a	b	c
151 mm	65 mm	40 mm	115 mm	36 mm	20 mm

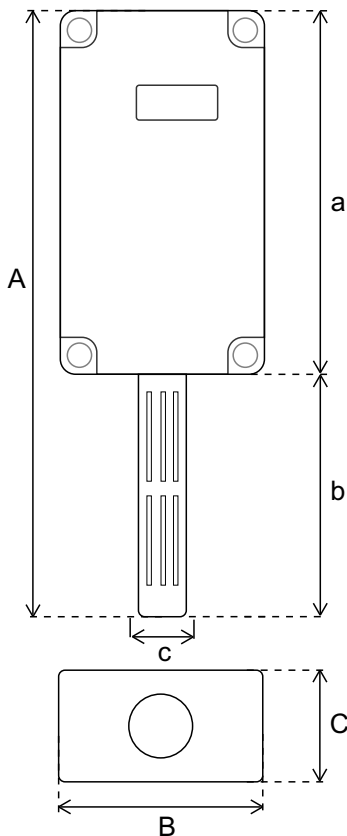


KS-412 // PORTABLE CARBON DIOXIDE (CO₂) SENSOR

- Accurate and Precise Measuring
- Internal Battery
- Durable and Handy Design
- Long Operating Life
- Cleanable Filter
- IP 67 Plastic Case (Not Including Sensor)



TECHNICAL SPECIFICATIONS



Product Informations	
Product Name	KS-412 Portable Carbon Dioxide (CO ₂) Sensor
Input	12 V DC

Sensor	Measuring Range	Sensitivity	Accuracy
Carbon Dioxide (CO ₂)	0 - 5.000 ppm 0 - 10.000 ppm	± 10 ppm	± 50 ppm+%/2

Dimensions					
A	B	C	a	b	c
193 mm	65 mm	40 mm	115 mm	78 mm	16 mm

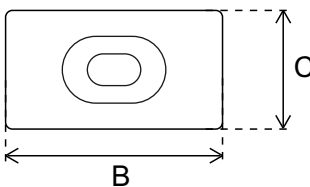
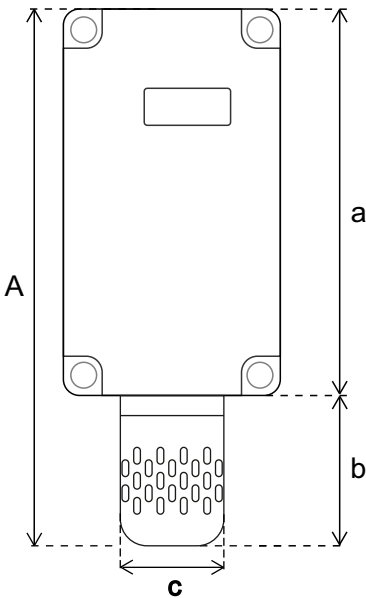


KS-415 // PORTABLE CARBON DIXOIDE (CO₂) SENSOR

- Accurate and Precise Measuring
- Internal Battery
- Durable and Handy Design
- Long Operating Life
- Cleanable Filter
- IP 67 Plastic Case (Not Including Sensor)



TECHNICAL SPECIFICATIONS



Product Informations	
Product Name	KS-415 Portable Carbon Dioxide (CO ₂) Sensor
Input	12 V DC

Sensor	Measuring Range	Sensitivity	Accuracy
Carbon Dioxide (CO ₂)	0 - 5.000 ppm 0 - 10.000 ppm	± 10 ppm	± 50 ppm+%/2

Dimensions					
A	B	C	a	b	c
160 mm	65 mm	40 mm	115 mm	45 mm	31 mm

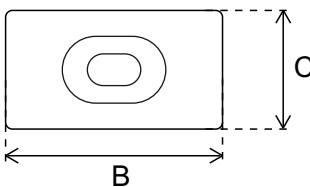
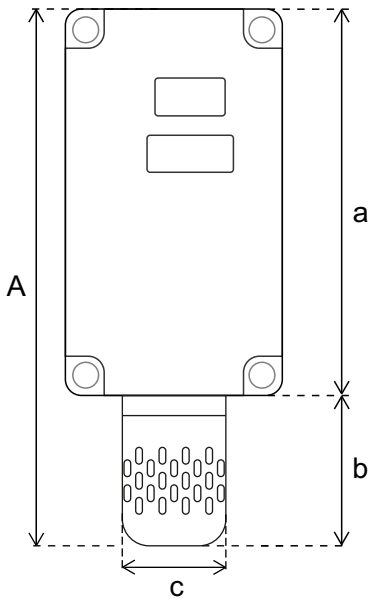


KS-416 // PORTABLE HUMIDITY & CARBON DIOXIDE (CO₂) SENSOR

- Accurate and Precise Measuring
- Internal Battery
- Durable and Handy Design
- Long Operating Life
- Cleanable Filter
- IP 67 Plastic Case (Not Including Sensor)



TECHNICAL SPECIFICATIONS



Product Informations	
Product Name	KS-416 Portable Humidity & Carbon Dioxide (CO ₂) Sensor
Input	12 V DC

Sensor	Measuring Range	Sensitivity	Accuracy
Carbon Dioxide (CO ₂)	0-5.000 ppm / 0-10.000 ppm	± 10 ppm	± 50 ppm+%/2
Humidity	0 - 100 %	± % 1	± % 3

Dimensions					
A	B	C	a	b	c
160 mm	65 mm	40 mm	115 mm	45 mm	31 mm

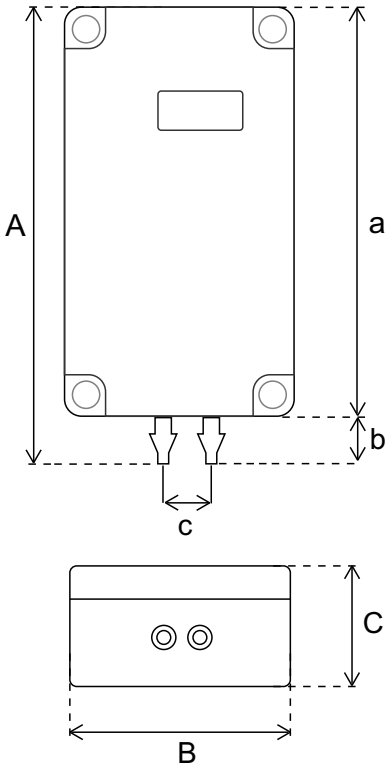


BS-412 // PORTABLE DIFFERENTIAL PRESSURE SENSOR

- Accurate and Precise Measuring
- Internal Battery
- Durable and Handy Design
- Long Operating Life
- IP 67 Plastic Case (Not Including Sensor)



TECHNICAL SPECIFICATIONS



Product Informations	
Product Name	BS-412 Portable Differential Pressure Sensor
Input	12 V DC

Sensor	Measuring Range	Sensitivity	Accuracy
Pressure	(-125) - (+125) Pa (-500) - (+500) Pa	± 1 Pa	$\pm \%3$

Dimensions					
A	B	C	a	b	c
125 mm	65 mm	40 mm	115 mm	10 mm	12 mm

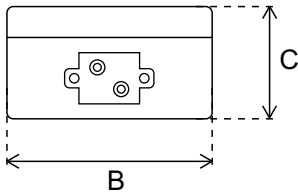
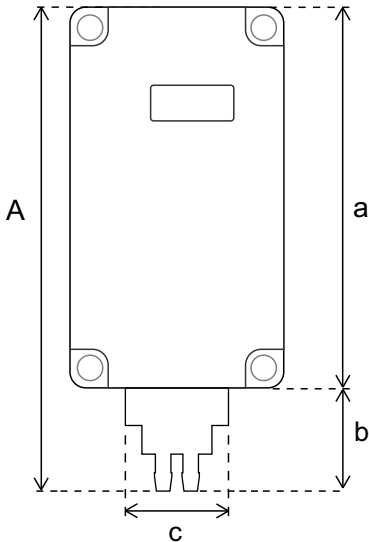


BS-415 // PORTABLE DIFFERENTIAL PRESSURE SENSOR

- Accurate and Precise Measuring
- Internal Battery
- Durable and Handy Design
- Long Operating Life
- IP 67 Plastic Case (Not Including Sensor)



TECHNICAL SPECIFICATIONS



Product Informations	
Product Name	BS-415 Portable Differential Pressure Sensor
Input	12 V DC

Sensor	Measuring Range	Sensitivity	Accuracy
Pressure	0-10.000 Pa	± 10 Pa	$\pm \%0,5$

Dimensions					
A	B	C	a	b	c
143 mm	65 mm	40 mm	115 mm	28 mm	28 mm



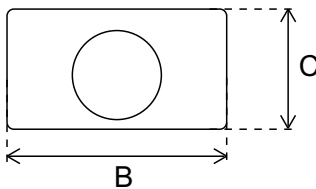
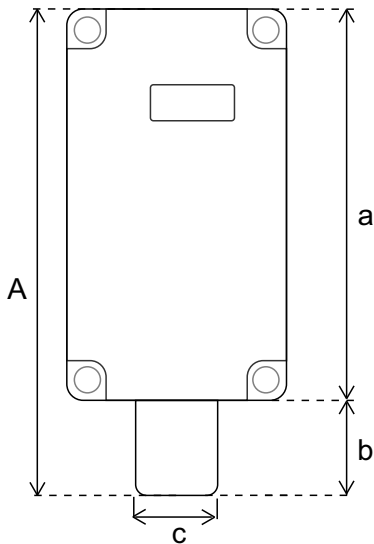


AS/ES/CS/OS-412 // PORTABLE GAS SENSORS

- Accurate and Precise Measuring
- Internal Battery
- Durable and Handy Design
- 2 Years Sensor Operating Life
- Easy Replaceable Sensor
- IP 67 Plastic Case (Not Including Sensor)



TECHNICAL SPECIFICATIONS



Product Informations	
Product Name	AS/ES/CS/OS-412 Portable Gas Sensors
Input	12 V DC

Sensor	Measuring Range	Sensitivity	Accuracy
Ammonia (NH ₃)	0-100 ppm	± 1 ppm	± 2 ppm
Ethylene (C ₂ H ₄)	0-100 ppm	± 0,1 ppm	± 1 ppm
Carbon Monoxide (CO)	0-1000 ppm	± 1 ppm	± 5 ppm
Oxygen (O ₂)	0-25 % VOL	± 0.1 % VOL	± 1 % VOL

Dimensions					
A	B	C	a	b	c
139 mm	65 mm	40 mm	115 mm	24 mm	24 mm

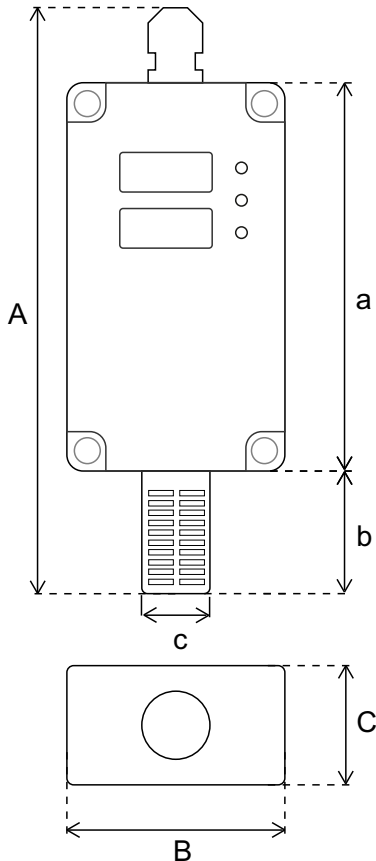


SR-411 // TEMPERATURE & HUMIDITY CONTROL DEVICE

- Accurate and Precise Measuring
- 2 Relay Outputs
- Buzzer (Optional)
- Long Operating Life
- Cleanable Filter
- Easy Assembling
- Adjustable Relay Sensitivity



TECHNICAL SPECIFICATIONS



Product Informations	
Product Name	SR-411 Temperature & Humidity Control Device
Input	12-24 V DC
Output	Relay (2A)

Sensor	Measuring Range	Sensitivity	Accuracy
Temperature	(-10) - (+60)°C (-40) - (+60)°C * (-40) - (+100)°C **	± 0,1 °C	± 0,3 °C
Humidity	0 - 100 %	± % 1	± % 3

- * Sensor with at least 1 meter cable
- ** Sensor with at least 1 meter cable and sintered

Dimensions					
A	B	C	a	b	c
172 mm	65 mm	40 mm	115 mm	36 mm	20 mm

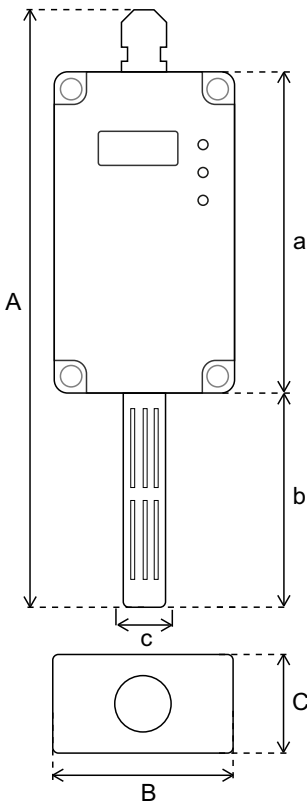


KR-411 // CARBON DIOXIDE (CO₂) CONTROL DEVICE

- Accurate and Precise Measuring
- 1 Relay Output
- Buzzer (Optional)
- Long Operating Life
- Cleanable Filter
- Easy Assembling
- Adjustable Relay Sensitivity



TECHNICAL SPECIFICATIONS



Product Informations	
Product Name	KR-411 Carbon Dioxide (CO ₂) Control Device
Input	12-24 V DC
Output	Relay (2A)

Sensor	Measuring Range	Sensitivity	Accuracy
Carbon Dioxide (CO ₂)	0 - 5.000 ppm 0 - 10.000 ppm	± 10 ppm	± 50 ppm+%/2

Dimensions					
A	B	C	a	b	c
215 mm	65 mm	40 mm	115 mm	78 mm	16 mm

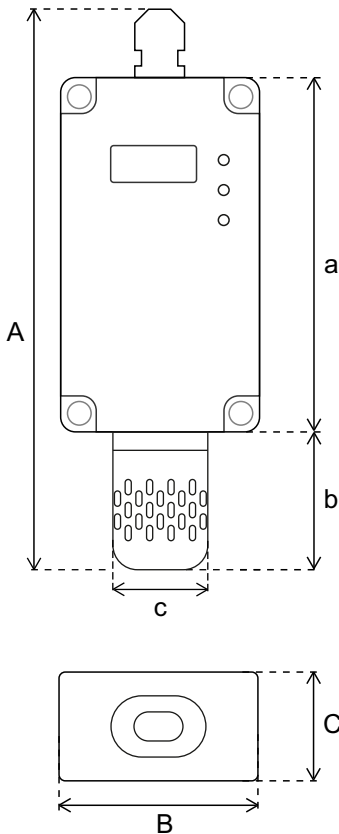


KR-415 // CARBON DIOXIDE (CO₂) CONTROL DEVICE

- Accurate and Precise Measuring
- 1 Relay Output
- Buzzer (Optional)
- Long Operating Life
- Cleanable Filter
- Easy Assembling
- Adjustable Relay Sensitivity



TECHNICAL SPECIFICATIONS



Product Informations	
Product Name	KR-415 Carbon Dioxide (CO ₂) Control Device
Input	12-24 V DC
Output	Relay (2A)

Sensor	Measuring Range	Sensitivity	Accuracy
Carbon Dioxide (CO ₂)	0 - 5.000 ppm 0 - 10.000 ppm	± 10 ppm	± 50 ppm+%2

Dimensions					
A	B	C	a	b	c
182 mm	65 mm	40 mm	115 mm	45 mm	31 mm

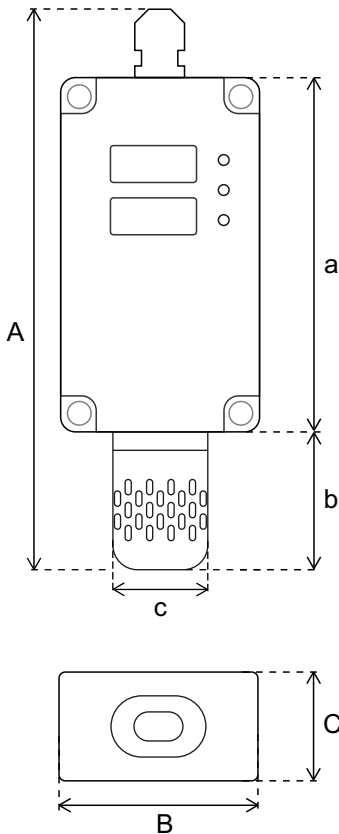


KR-416 // HUMIDITY & CARBON DIOXIDE (CO₂) CONTROL DEVICE

- Accurate and Precise Measuring
- 2 Relay Output
- Buzzer (Optional)
- Long Operating Life
- Cleanable Filter
- Easy Assembling
- Adjustable Relay Sensitivity



TECHNICAL SPECIFICATIONS



Product Informations	
Product Name	KR-416 Humidity & Carbon Dioxide (CO ₂) Control Device
Input	12-24 V DC
Output	Relay (2A)

Sensor	Measuring Range	Sensitivity	Accuracy
Carbon Dioxide (CO ₂)	0-5.000 ppm / 0-10.000 ppm	± 10 ppm	± 50 ppm+%/2
Humidity	0 - 100 %	± % 1	± % 3

Dimensions					
A	B	C	a	b	c
182 mm	65 mm	40 mm	115 mm	45 mm	31 mm

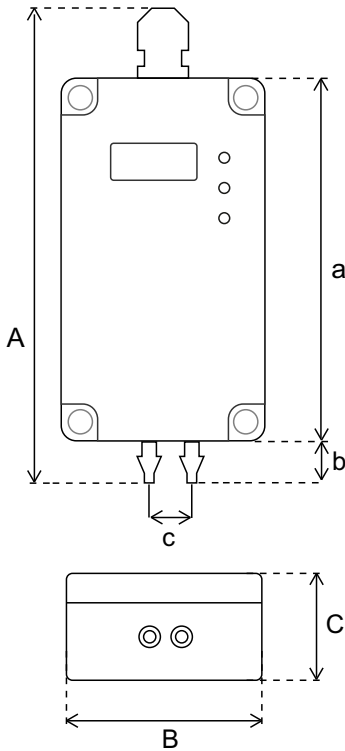


BR-411 // DIFFERENTIAL PRESSURE CONTROL DEVICE

- Accurate and Precise Measuring
- 1 Relay Output
- Buzzer (Optional)
- Durable and Handy Design
- Long Operating Life
- Easy Assembling
- Adjustable Relay Sensitivity



TECHNICAL SPECIFICATIONS



Product Informations	
Product Name	BR-411 Differential Pressure Control Device
Input	12-24 V DC
Output	Relay (2A)

Sensor	Measuring Range	Sensitivity	Accuracy
Pressure	0-100 Pa / 0-125 Pa (-125) - (+125) Pa (-500) - (+500) Pa	± 1 Pa	± %3

Dimensions					
A	B	C	a	b	c
147 mm	65 mm	40 mm	115 mm	10 mm	12 mm

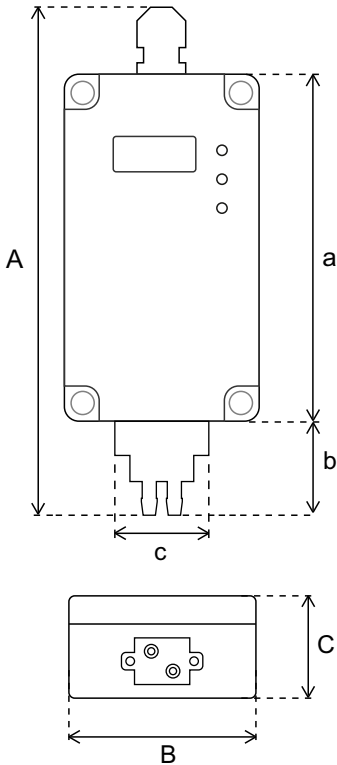


BR-415 // DIFFERENTIAL PRESSURE CONTROL DEVICE

- Accurate and Precise Measuring
- 1 Relay Output
- Buzzer (Optional)
- Durable and Handy Design
- Long Operating Life
- Easy Assembling
- Adjustable Relay Sensitivity



TECHNICAL SPECIFICATIONS



Product Informations	
Product Name	BR-415 Differential Pressure Control Device
Input	12-24 V DC
Output	Relay (2A)

Sensor	Measuring Range	Sensitivity	Accuracy
Pressure	0-1.000 Pa 0-5.000 Pa 0-10.000 Pa	± 10 Pa	± %0,5

Dimensions					
A	B	C	a	b	c
165 mm	65 mm	40 mm	115 mm	28 mm	28 mm

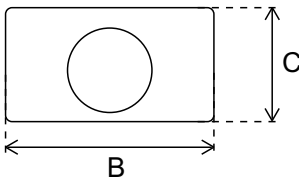
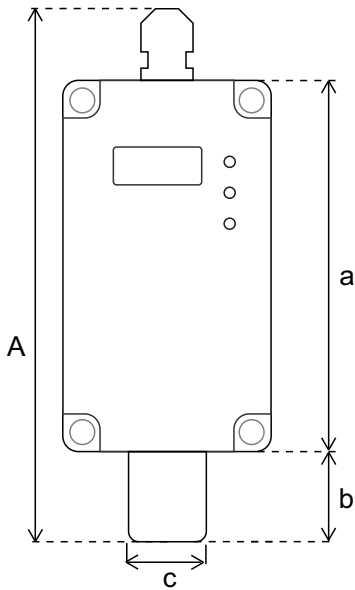


AR/ER/CR/OR-411 // GAS CONTROL DEVICES

- Accurate and Precise Measuring
- 1 Relay Output
- Buzzer (Optional)
- 2 Years Sensor Operating Life
- Easy Replaceable Sensor
- Easy Assembling
- Adjustable Relay Sensitivity



TECHNICAL SPECIFICATIONS



Product Informations	
Product Name	AR/ER/CR/OR-411 Gas Control Devices
Input	12-24 V DC
Output	Relay (2A)

Sensor	Measuring Range	Sensitivity	Accuracy
Ammonia (NH ₃)	0-100 ppm	± 1 ppm	± 2 ppm
Ethylene (C ₂ H ₄)	0-10 ppm / 0-100 ppm	± 0,1 ppm	± 1 ppm
Carbon Monoxide (CO)	0-1000 ppm	± 1 ppm	± 5 ppm
Oxygen (O ₂)	0-25 % VOL	± 0.1 % VOL	± 1 % VOL

Dimensions					
A	B	C	a	b	c
161 mm	65 mm	40 mm	115 mm	24 mm	24 mm

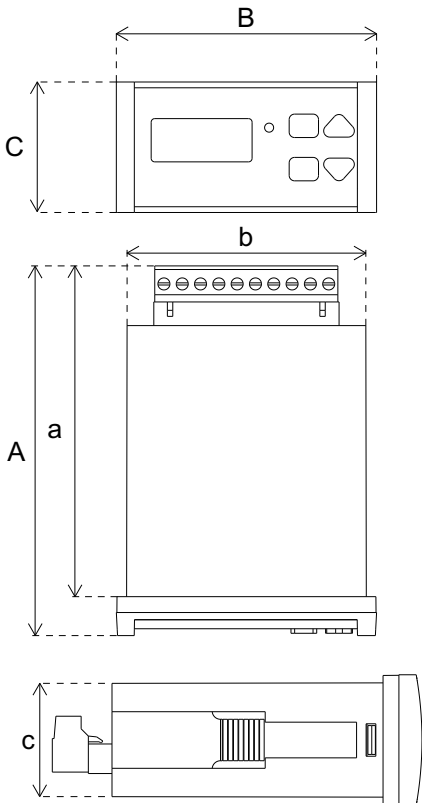


TR-711 // PANEL TYPE TEMPERATURE CONTROL DEVICE

- Accurate and Precise Measuring
- 1 Relay Output
- Durable and Handy Design
- Long Operating Life
- Panel Type Mounting
- Adjustable Relay Sensitivity



TECHNICAL SPECIFICATIONS



Product Informations	
Product Name	TR-711 Panel Type Temperature Control Device
Input	220 V AC
Output	Relay (2A)

Sensor	Measuring Range	Sensitivity	Accuracy
Temperature	(-40) - (+60)°C * (-50) - (+150)°C **	± 0,1 °C	± 0,3 °C
Humidity	0 - 100 %	± % 1	± % 3

* With NTC 10 K or NTC 30 K
** With PT-100 or PT-1000

Boyutlar / Dimensions					
A	B	C	a	b	c
103 mm	72 mm	36 mm	93 mm	66,5 mm	31,75 mm

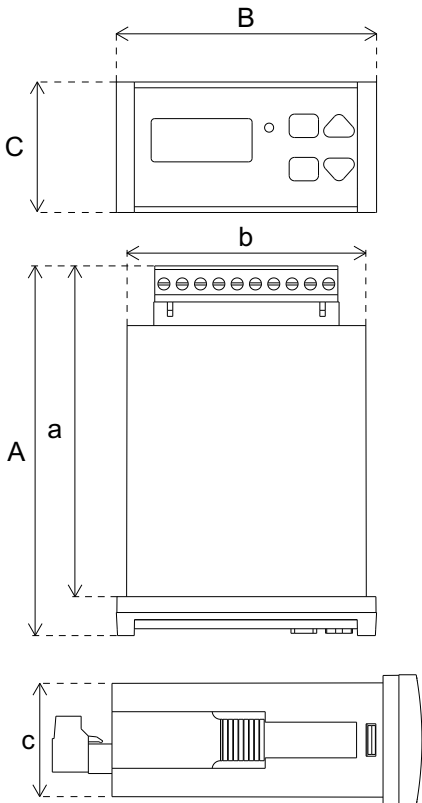


NR-711 // PANEL TYPE HUMIDITY CONTROL DEVICE

- Accurate and Precise Measuring
- 1 Relay Output
- Durable and Handy Design
- Long Operating Life
- Cleanable Filter
- Panel Type Mounting
- Adjustable Relay Sensitivity



TECHNICAL SPECIFICATIONS



Product Informations	
Product Name	NR-711 Panel Type Humidity Control Device
Input	220 V AC
Output	Relay (2A)

Sensor	Measuring Range	Sensitivity	Accuracy
Humidity	0 - 100 %	± % 1	± % 3

Boyutlar / Dimensions					
A	B	C	a	b	c
103 mm	72 mm	36 mm	93 mm	66,5 mm	31,75 mm

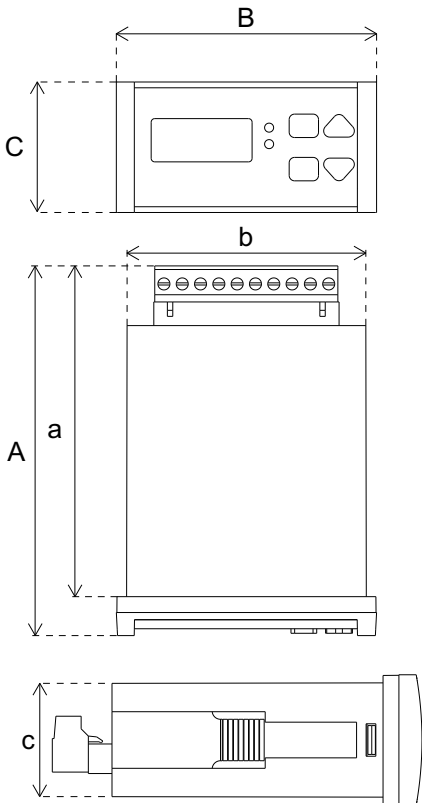


SR-711 // PANEL TYPE TEMPERATURE & HUMIDITY CONTROL DEVICE

- Accurate and Precise Measuring
- 2 Relay Outputs
- Durable and Handy Design
- Long Operating Life
- Cleanable Filter
- Panel Type Mounting
- Adjustable Relay Sensitivity



TECHNICAL SPECIFICATIONS



Product Informations	
Product Name	SR-711 Panel Type Temperature & Humidity Control Device
Input	220 V AC
Output	Relay (2A)

Sensor	Measuring Range	Sensitivity	Accuracy
Temperature	(-40) - (+60)°C (-40) - (+100)°C *	± 0,1 °C	± 0,3 °C
Humidity	0 - 100 %	± % 1	± % 3

* With sintered sensor

Boyutlar / Dimensions					
A	B	C	a	b	c
103 mm	72 mm	36 mm	93 mm	66,5 mm	31,75 mm

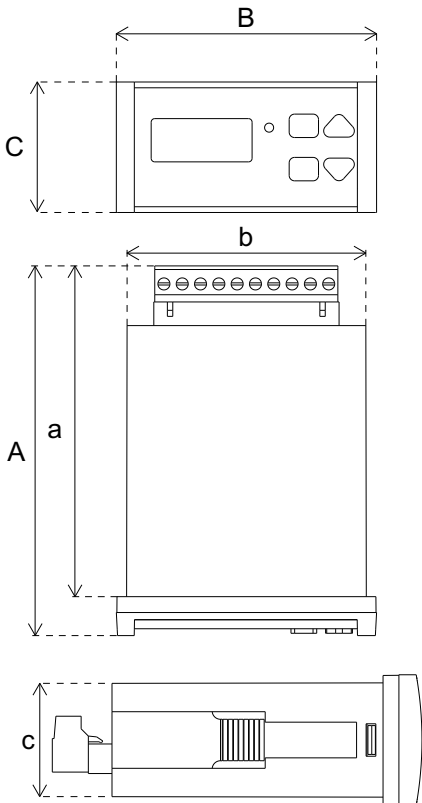


KR-711 // PANEL TYPE CARBON DIOXIDE (CO₂) CONTROL DEVICE

- Accurate and Precise Measuring
- 1 Relay Output
- Durable and Handy Design
- Long Operating Life
- Cleanable Filter
- Panel Type Mounting
- Adjustable Relay Sensitivity



TECHNICAL SPECIFICATIONS



Product Informations	
Product Name	KR-711 Panel Type Carbon Dioxide (CO ₂) Control Device
Input	220 V AC
Output	Relay (2A)

Sensor	Measuring Range	Sensitivity	Accuracy
Carbon Dioxide (CO ₂)	0 - 5.000 ppm 0 - 10.000 ppm	± 10 ppm	± 50 ppm+%/2

Boyutlar / Dimensions					
A	B	C	a	b	c
103 mm	72 mm	36 mm	93 mm	66,5 mm	31,75 mm

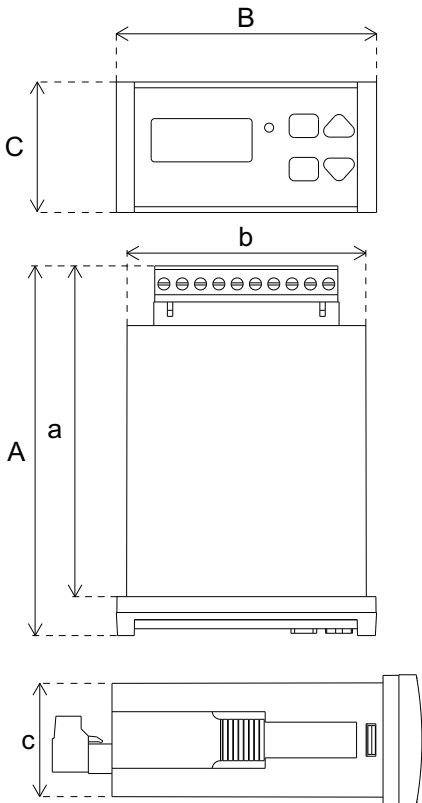


AR/ER/CR/OR-711 // PANEL TYPE GAS CONTROL DEVICES

- Accurate and Precise Measuring
- 1 Relay Output
- Durable and Handy Design
- 2 Years Sensor Operating Life
- Easy Replaceable Sensor
- Panel Type Mounting
- Adjustable Relay Sensitivity



TECHNICAL SPECIFICATIONS



Product Informations	
Product Name	AR/ER/CR/OR-711 Panel Type Gas Control Devices
Input	220 V AC
Output	Relay (2A)

Sensor	Measuring Range	Sensitivity	Accuracy
Ammonia (NH ₃)	0-100 ppm	± 1 ppm	± 2 ppm
Ethylene (C ₂ H ₄)	0-10 ppm / 0-100 ppm	± 0,1 ppm	± 1 ppm
Carbon Monoxide (CO)	0-1000 ppm	± 1 ppm	± 5 ppm
Oxygen (O ₂)	0-25 % VOL	± 0.1 % VOL	± 1 % VOL

Boyutlar / Dimensions					
A	B	C	a	b	c
103 mm	72 mm	36 mm	93 mm	66,5 mm	31,75 mm

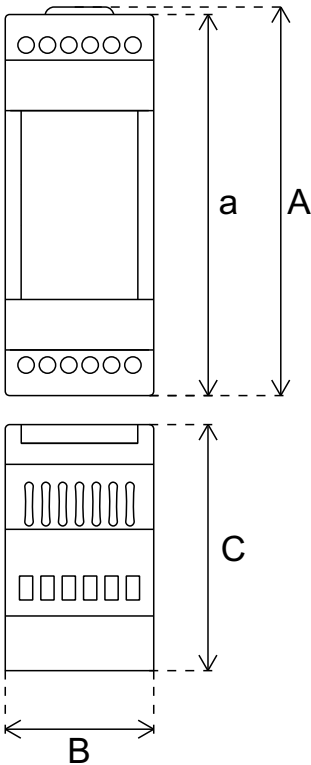


MK-261 // MODBUS PROTECTION CARD

- Durable and Handy Design
- Long Operating Life
- Easy Assembling
- Rail Type Case
- 2 Modbus Connections



TECHNICAL SPECIFICATIONS



Product Informations	
Product Name	MK-261 Modbus Protection Card
Modbus Input	A1 / B1 / A2 / B2
Modbus Output	A1 / B1 / A2 / B2

Product Code	Output Signal
MK-261	Modbus RTU

Dimensions			
A	B	C	a
93 mm	35 mm	59 mm	90 mm



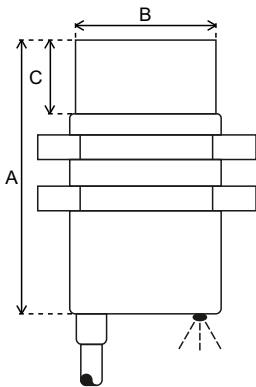
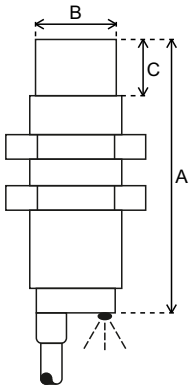
YS-111 / YS-112 // CAPACITIVE SENSOR

- Long Operating Life
- Durable and Handy Design
- Easy Assembling
- Adjustable Sensitivity
- High Corrosion Resistance
- Sensor Status Led



* Sensor cable length: 195 cm

TECHNICAL SPECIFICATIONS



Product Informations	
Product Name	YS-111 / YS-112 - Capacitive Sensor
Input	100 - 240 V AC
Output	NC
Connection	AC2-wire
Material	Brass (Nickel Plated)

Dimensions			
YS-111	A	B	C
	55 mm	M18	8 mm
YS-112	A	B	C
	55 mm	M30	15 mm

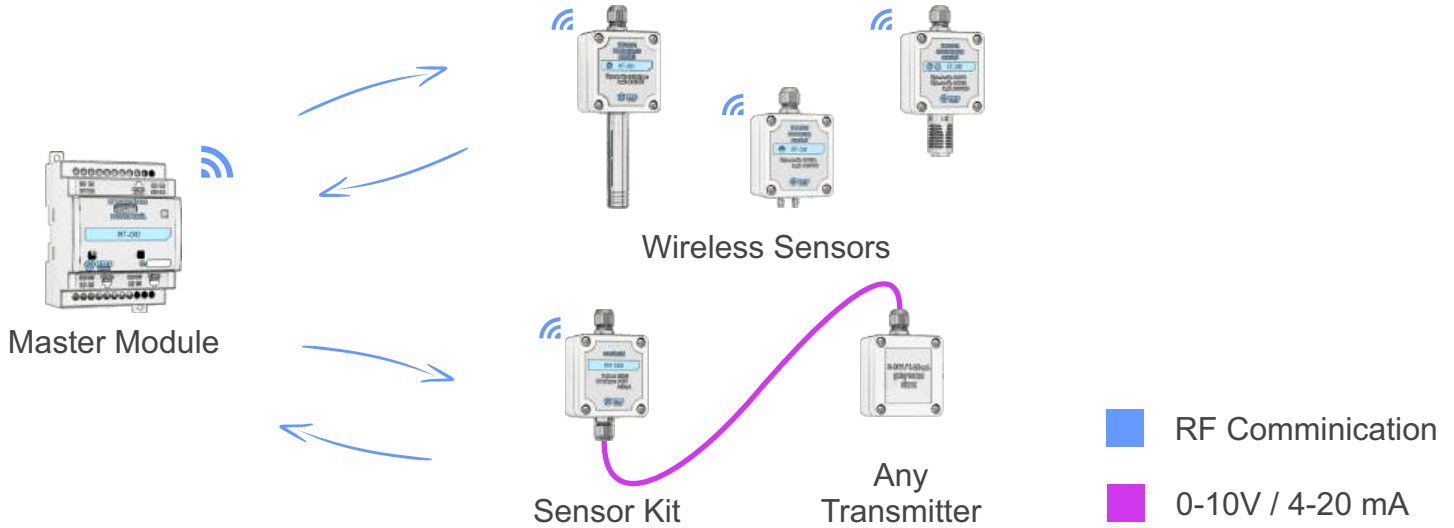


WIRELESS SENSOR GROUP

WHAT IS IT?

Up to 3 wireless sensors can be connected to the mas module and 0-10V / 4-20 mA output can be obtained for each sensor. You can choose a wireless sensor as you wish or you can communicate any transmitter with the master module wirelessly with the sensor kit.

HOW THE SYSTEM WORKS?



The master module and wireless sensors are identified to each other. The sensor transmits the measured data to the master module via **RF** communication. The master module converts the data into output signals in the standards (0-10 V, 4-20 mA) to be used. Our wireless sensor group includes humidity, temperature and humidity, carbon dioxide, differential pressure and gas sensors. Devices can communicate with each other up to 250 meters away in open areas.



MT-010 // RF TRANSMITTER MASTER MODULE

Product Informations	
Power	12-24 V DC
Input	
Output	0-10 V / 4-20 mA



KM-390 // SENSOR KIT

Product Informations	
Power	12-24 V DC
Input	0-10 V / 4-20 mA
Output	433 Mhz RF Wiireless Communication



WIRELESS SENSOR GROUP



ST / NT-391 // WIRELESS TEMPERATURE & HUMIDITY / HUMIDITY SENSORS

Sensor	Measuring Range	Sensitivity	Accuracy
Temperature	0 - 50°C / (-20) - (+80)°C	± 0,1 °C	± 0,3 °C
Humidity	0 - 100 %	± % 1	± % 3
Output	433 Mhz RF Wireless Communication		



KT-391 // WIRELESS CARBON DIOXIDE SENSOR

Sensor	Measuring Range	Sensitivity	Accuracy
Carbon Dioxide (CO ₂)	0 - 5.000 ppm 0 - 10.000 ppm	± 10 ppm	± 50 ppm+%2
Output	4433 Mhz RF Wireless Communication		



BT-391 // WIRELESS DIFFERENTIAL PRESSURE SENSOR

Sensor	Measuring Range	Sensitivity	Accuracy
Pressure	0-100 Pa / 0-125 Pa (-125) - (+125) Pa (-500) - (+500) Pa	± 1 Pa	± %3
Output	433 Mhz RF Wireless Communication		



AT / ET / CT / OT-391 // WIRELESS GAS SENSORS

Sensor	Measuring Range	Sensitivity	Accuracy
Ammonia (NH ₃)	0-100 ppm	± 1 ppm	± 2 ppm
Ethylene (C ₂ H ₄)	0-10 ppm / 0-100 ppm	± 0,1 ppm	± 1 ppm
Carbon Monoxide (CO)	0-1000 ppm	± 1 ppm	± 5 ppm
Oxygen (O ₂)	0-25 % VOL	± 0.1 % VOL	± 1 % VOL
Output	433 Mhz RF Wireless Communication		





SPARE PARTS & ACCESSORIES



AE-321// STAINLESS SENSOR MODULE

Dust Protection

Stainless Material

Shielded Cable 1-10m



AE-322 // STAINLESS DUCT TYOE PROBE

Stainless Material

Probe Diameter 15 mm, Length 195 mm

Shielded Cable 1-10m



AE-323 // STAINLESS SCREW TYPE PROBE

Stainless Material

Probe Diameter 15 mm, Length 195 mm

Shielded Cable 1-10m



AE-331// PLASTIC SENSOR MODULE

Dust Protection

Plastic Material

Shielded Cable 1-10m



AE-332// PLASTIC SENSOR WALL MODULE

Dust Protection

Plastic Material

Shielded Cable 1-10m



AE-333// P. SENSOR CHANNEL MODULE

Dust Protection

Plastic Material

Shielded Cable 1-10m





SPARE PARTS & ACCESSORIES



AE-341// CO₂ SENSOR WALL MODULE

Dust Protection

Plastic Material

Shielded Cable 1-10m



AE-342// CO₂ SENSOR CHANNEL MODULE

Dust Protection

Plastic Material

Shielded Cable 1-10m



AE-351// CO₂ SENSOR WALL MODULE

Dust Protection

Plastic Material

Shielded Cable 1-10m



AE-501 // IP 67 SOCKET

Dust and Humidity Protection

Shielded Cable

Cable Length 1m



AE-502// CONNECTION TERMINAL

Easy and Fast Assembling

Shielded Cable

Cable Length 30 cm



AE-903// D. PRESSURE PROBE SET

2 Pressure Probes

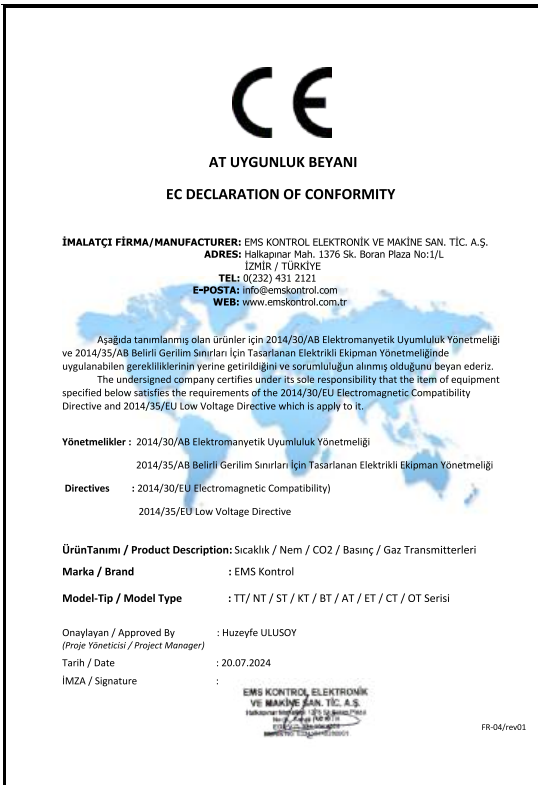
Probe Diameter 6.7mm, Length 98 mm

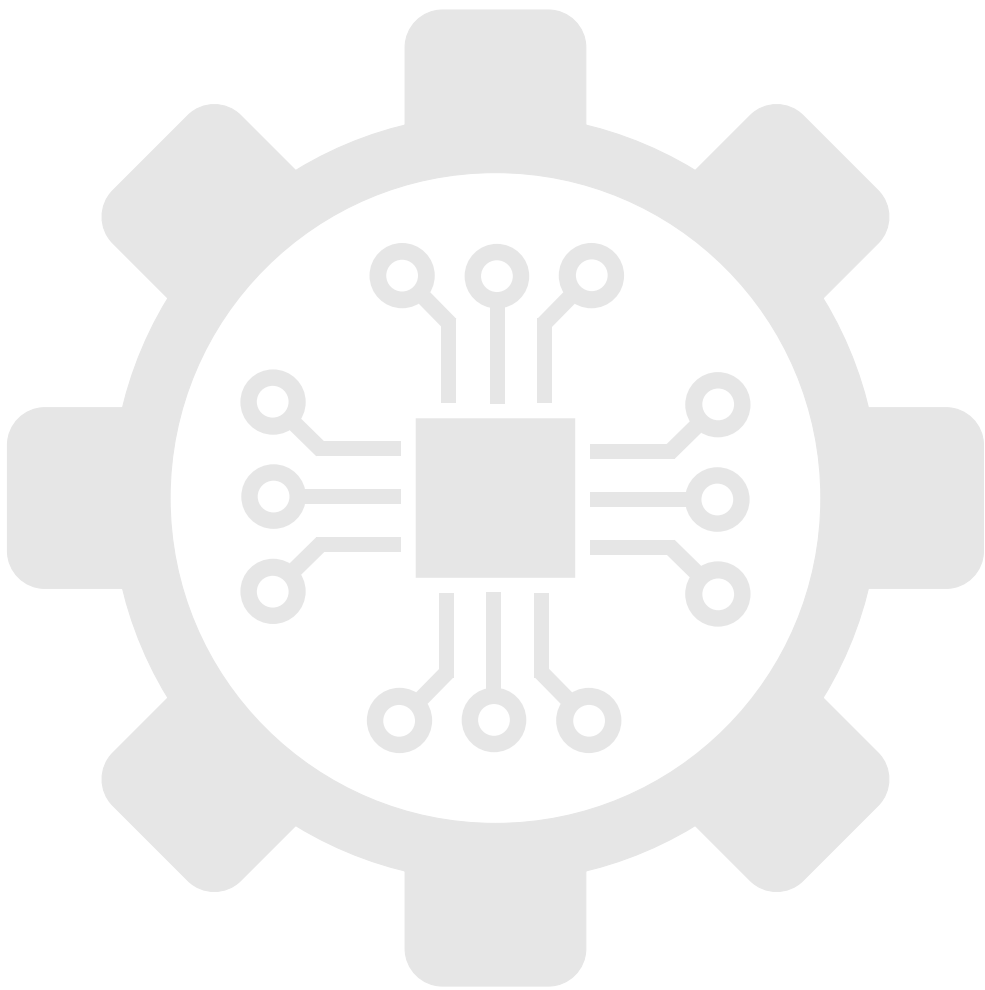
Hose Length 2m





OUR DOCUMENTS





“ACCURATE MEASUREMENT, ACCURATE CONTROL”



INDUSTRIAL SENSOR GROUP

“ACCURATE MEASUREMENT, ACCURATE CONTROL”



EMS KONTROL ELEKTRONİK MAKİNE SANAYİ VE TİCARET A.Ş.



+90 232 431 21 21



info@emskontrol.com



Halkapınar Mah. 1376 Sok. Boran Plaza No:1/L Konak/İZMİR