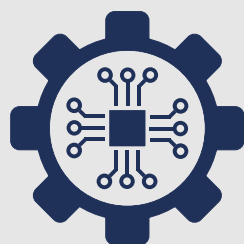


INDUSTRIAL SENSOR GROUP

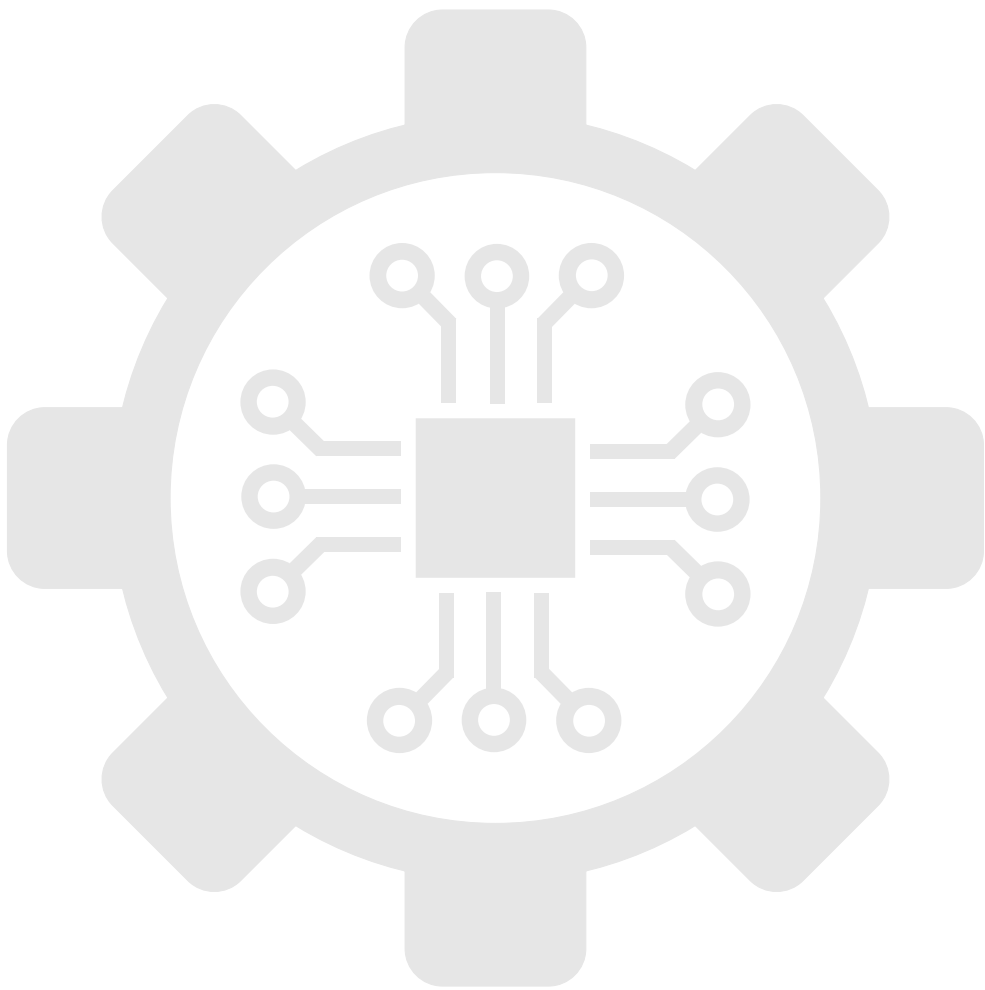
PRODUCT CATALOGUE



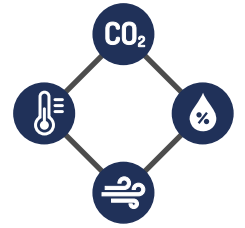
ems
kontrol

“ACCURATE MEASUREMENT, ACCURATE CONTROL”

© 2023 - Ems Kontrol - All Rights Reserved



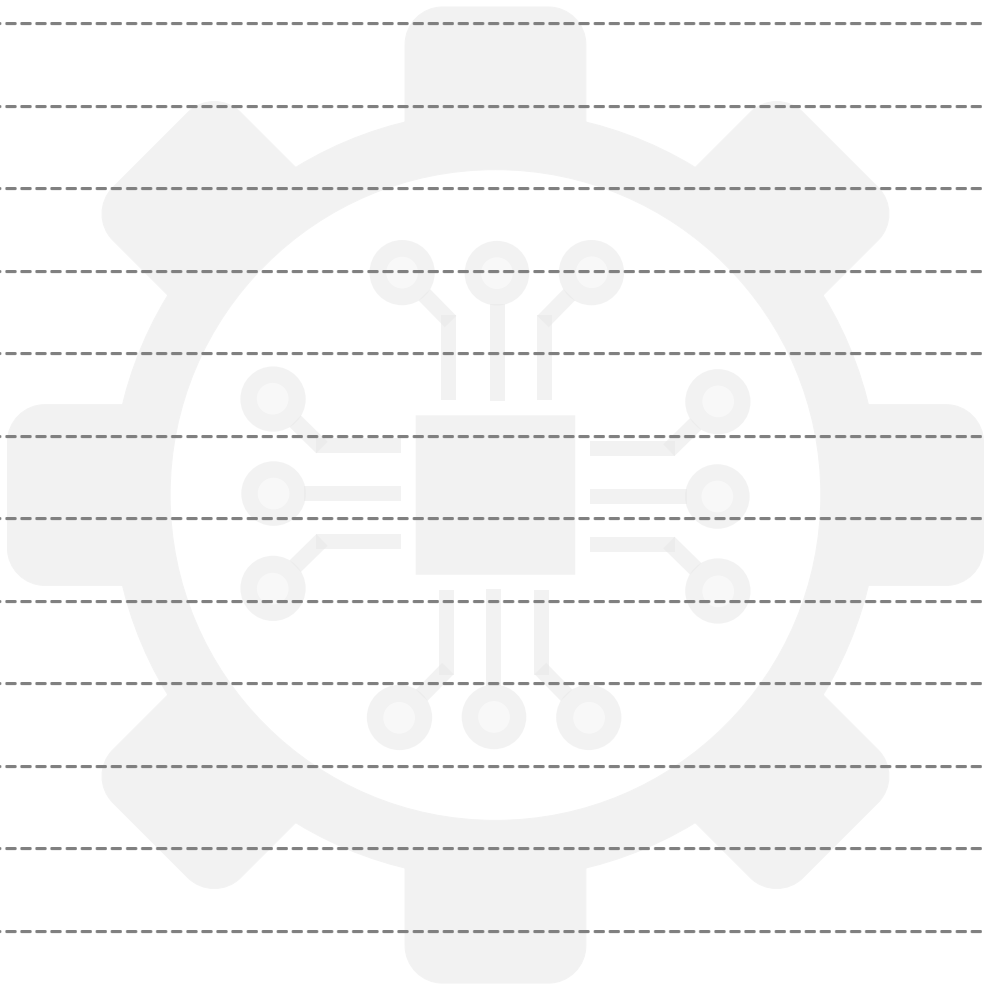
“ACCURATE MEASUREMENT, ACCURATE CONTROL”



INDEX

- SENSORS.....5-6
- TRANSMITTERS WITH AND WITHOUT DISPLAY.....7-35
- DIGITAL DISPLAY.....36
- PORTABLE SENSORS.....37-43
- CONTROL DEVICES.....44-50
- PANEL TYPE CONTROL DEVICES.....51-55
- MODBUS PROTECTION CARD.....56
- CAPACITIVE SENSORS.....57
- WIRELESS SENSORS.....58-59
- SPARE PARTS & ACCESSORIES.....60-61
- OUR DOCUMENTS.....62

NOTES





TS-1XX // TEMPERATURE SENSOR

- Accurate and Precise Measuring
- Long Operating Life
- Easy Assembling
- Extendable Sensor on Demand *

TS-111
TS-112



TS-121
TS-131

* In our TS-111 and TS-112 Temperature sensors, Sensor cable length can be changed (0-10m) according to demand. Metal probe length can be selected as 50mm or 100mm.

TECHNICAL SPECIFICATIONS

| Product Informations | |
|----------------------|--|
| Product Name | TS-1XX Temperature Sensor |
| Sensor Type | NTC 10 K / NTC 30 K / PT-100 / PT-1000 |

| Product Code | Sensor Type |
|--------------|-------------|
| TS 111 | NTC 10 K |
| TS 112 | NTC 30 K |
| TS 121 | PT-100 |
| TS 131 | PT-1000 |

| Sensor Type | Measuring Range | Beta Value | Sensitivity | Accuracy |
|-------------|------------------|----------------|-------------|----------|
| NTC 10 K | (-40) - (+120)°C | B25/85 - 3435K | ± 0,1 °C | ± 0,5 % |
| NTC 30 K | (-40) - (+120)°C | B0/50 - 3892K | ± 0,1 °C | ± 0,5 % |

| Sensor Type | Measuring Range | Cable Cross Section + Length | Sensitivity | Accuracy |
|-------------|------------------|------------------------------|-------------|----------|
| PT-100 | (-50) - (+150)°C | 5x50 + 1 m | ± 0,1 °C | ± 0,5 % |
| PT-1000 | (-50) - (+150)°C | 5x50 + 1 m | ± 0,1 °C | ± 0,1 % |





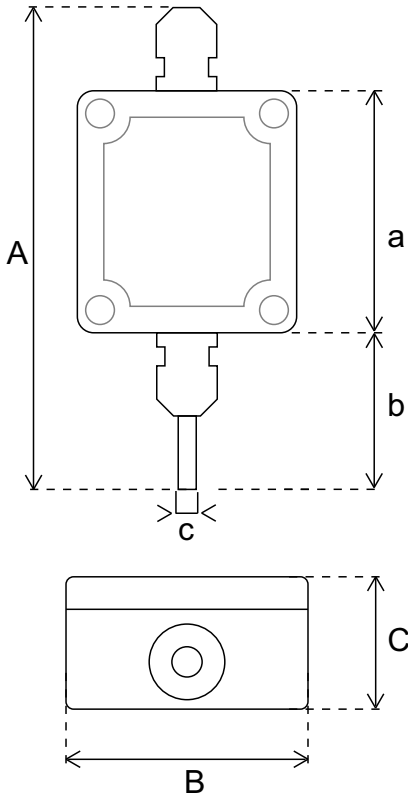
TS-31X // TEMPERATURE SENSOR

- Accurate and Precise Measuring
- Long Operating Life
- Easy Assembling
- IP 67 Plastic Case
- Extendable Sensor on Demand *

* Sensor cable length can be changed (0-10m) according to demand.
Metal probe length can be selected as 50mm or 100mm.



TECHNICAL SPECIFICATIONS



| Product Informations | |
|----------------------|---------------------------|
| Product Name | TS-31X Temperature Sensor |
| Sensor Type | NTC 10 K / NTC 30 K |

| Sensor | Measuring Range | Sensitivity | Accuracy |
|-------------|-----------------|-------------|----------|
| Temperature | (-40) - (+80)°C | ± 0,1 °C | ± 0,5 % |

| Product Code | Sensor Type | Beta Value | Dimensions | | |
|--------------|-------------|----------------|------------|-------|-------|
| | | | A | B | C |
| TS 311 | NTC 10 K | B25/85 - 3435K | 135 mm | 58 mm | 35 mm |
| TS 312 | NTC 30 K | B0/50 - 3892K | a | b | c |
| | | | 64 mm | 50 mm | 6 mm |

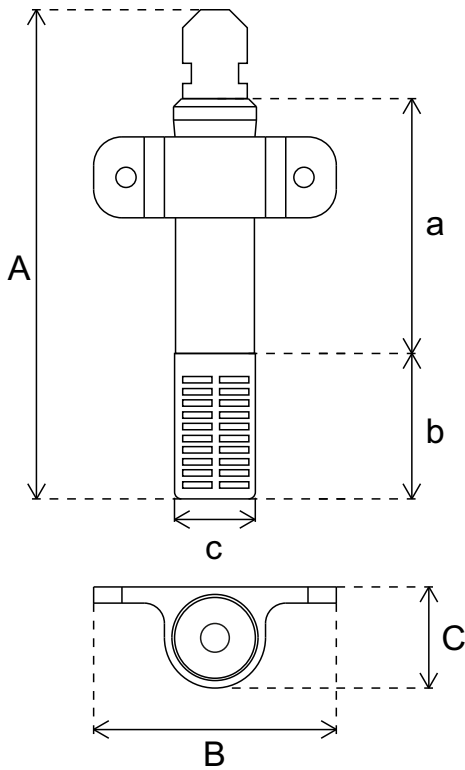


ST / NT-1XX // PEN TYPE TEMPERATURE & HUMIDITY / HUMIDITY TRANSMITTER

- Accurate and Precise Measuring
- Analog Output
- Long Operating Life
- Cleanable Filter
- Easy Assembling
- Extendable Sensor on Demand



TECHNICAL SPECIFICATIONS



| Product Informations | |
|----------------------|--|
| Product Name | ST/NT-1XX Pen Type Temperature & Humidity / Humidity Transmitter |
| Input | 12-24 V DC |
| Output | 0-10 V / 4-20 mA |

| Sensor | Measuring Range | Sensitivity | Accuracy |
|-------------|----------------------------|-------------|----------|
| Temperature | 0 - 50°C / (-20) - (+80)°C | ± 0,1 °C | ± 0,3 °C |
| Humidity | 0 - 100 % | ± % 1 | ± % 3 |

| Product Code | Output Signal |
|-----------------|---------------|
| ST 101 / NT 101 | 0-10 V |
| ST 101 / NT 141 | 4-20 mA |

| Dimensions | | |
|------------|-------|-------|
| A | B | C |
| 121 mm | 60 mm | 25 mm |
| a | b | c |
| 63 mm | 36 mm | 20 mm |



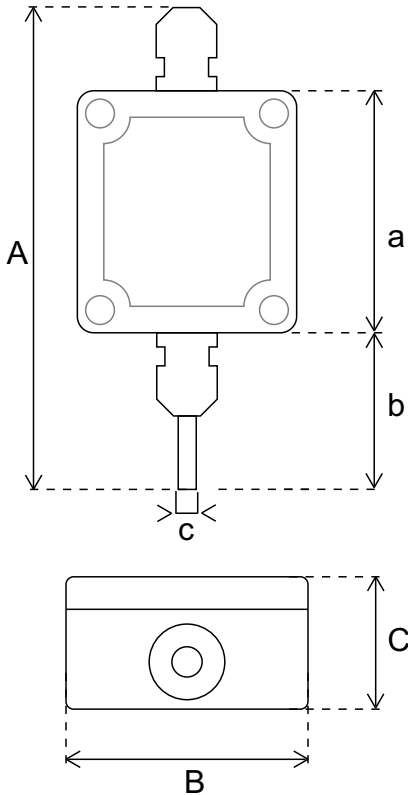
TT-3XX // TEMPERATURE TRANSMITTER

- Accurate and Precise Measuring
- Analog Output
- Long Operating Life
- Easy Assembling
- IP 67 Plastic Case

* Sensor cable length can be changed (0-10m) according to demand.
Metal probe length can be selected as 50mm or 100mm.



TECHNICAL SPECIFICATIONS



| Product Informations | |
|----------------------|--------------------------------|
| Product Name | TT-3XX Temperature Transmitter |
| Input | 12-24 V DC |
| Output | 0-10 V / 4-20 mA / Modbus RTU |

| Sensor | Measuring Range | Sensitivity | Accuracy |
|-------------|-----------------------------|-------------|----------|
| Temperature | 0 - 50°C (-20) - (+80)°C | ± 0,1 °C | ± 0,5 °C |

| Product Code | Output Signal |
|--------------|---------------|
| TT 301 | 0-10 V |
| TT 341 | 4-20 mA |
| TT 361 | Modbus RTU |

| Dimensions | | |
|------------|-------|-------|
| A | B | C |
| 135 mm | 58 mm | 35 mm |
| a | b | c |
| 64 mm | 50 mm | 6 mm |

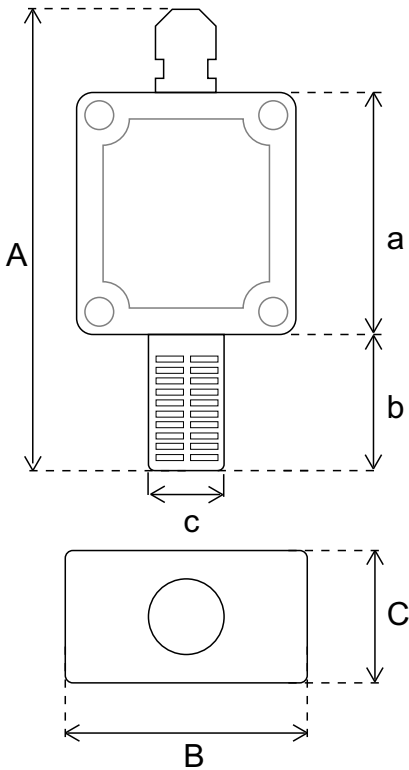


ST-3XX // TEMPERATURE & HUMIDITY TRANSMITTER / NT-3XX // HUMIDITY TRANSMITTER

- Accurate and Precise Measuring
- Analog Output
- Long Operating Life
- Cleanable Filter
- Easy Assembling
- IP 67 Plastic Case (Not Including Sensor)



TECHNICAL SPECIFICATIONS



| Product Informations | |
|----------------------|--|
| Product Name | ST-3XX Temperature & Humidity Transmitter NT-3XX Humidity Transmitter |
| Input | 12-24 V DC |
| Output | 0-10 V / 4-20 mA / Modbus RTU |

| Sensor | Measuring Range | Sensitivity | Accuracy |
|-------------|----------------------------|-------------|----------|
| Temperature | 0 - 50°C / (-20) - (+80)°C | ± 0,1 °C | ± 0,3 °C |
| Humidity | 0 - 100 % | ± % 1 | ± % 3 |

| Product Code | Output Signal |
|-----------------|---------------|
| ST 301 / NT 301 | 0-10 V |
| ST 341 / NT 341 | 4-20 mA |
| ST 361 / NT 361 | Modbus RTU |

| Dimensions | | |
|------------|-------|-------|
| A | B | C |
| 122 mm | 58 mm | 35 mm |
| a | b | c |
| 64 mm | 36 mm | 20 mm |

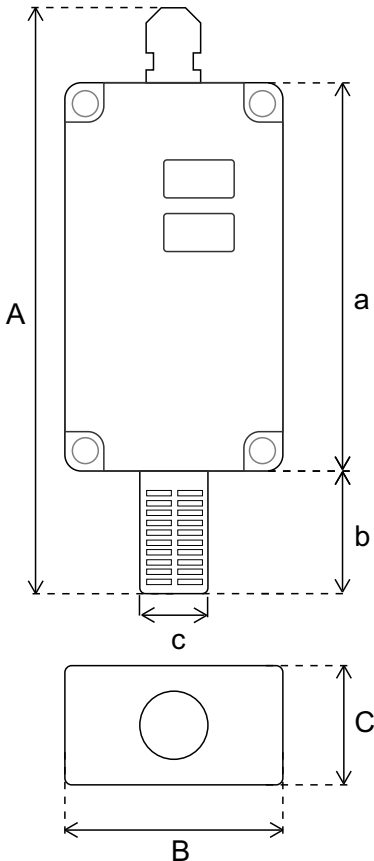


ST-4XX // TEMPERATURE & HUMIDITY TRANSMITTER WITH DISPLAY

- Accurate and Precise Measuring
- Analog Output
- Durable and Handy Design
- Long Operating Life
- Cleanable Filter
- Easy Assembling
- IP 67 Plastic Case (Not Including Sensor)



TECHNICAL SPECIFICATIONS



| Product Informations | |
|----------------------|--|
| Product Name | ST-4XX Temperature & Humidity Transmitter with Display |
| Input | 12-24 V DC |
| Output | 0-10 V / 4-20 mA / Modbus RTU |

| Sensor | Measuring Range | Sensitivity | Accuracy |
|-------------|----------------------------|-------------|----------|
| Temperature | 0 - 50°C / (-20) - (+80)°C | ± 0,1 °C | ± 0,3 °C |
| Humidity | 0 - 100 % | ± % 1 | ± % 3 |

| Product Code | Output Signal |
|--------------|---------------|
| ST 401 | 0-10 V |
| ST 441 | 4-20 mA |
| ST 461 | Modbus RTU |

| Dimensions | | |
|------------|-------|-------|
| A | B | C |
| 172 mm | 65 mm | 40 mm |
| a | b | c |
| 115 mm | 36 mm | 20 mm |





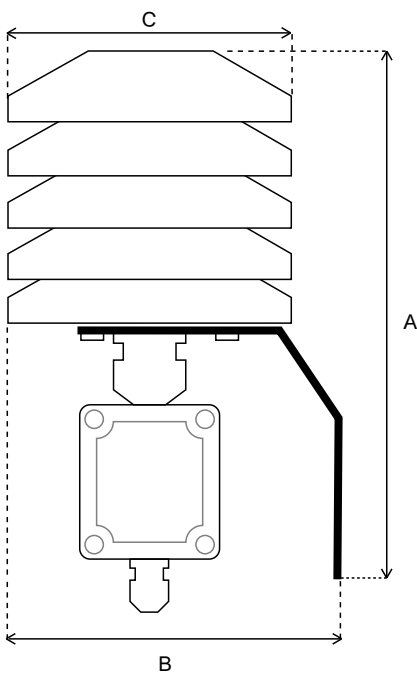
DT-3XX // OUTSIDE TEMPERATURE & HUMIDITY TRANSMITTER

OUTSIDE SENSOR

- Radiation and Rain Protection
- Accurate and Precise Measuring
- Analog Output
- Long Operating Life
- Easy Assembling
- IP 67 Plastic Case (Not Including Sensor)



TECHNICAL SPECIFICATIONS



| Product Informations | |
|----------------------|---|
| Product Name | DT-3XX Outside Temperature & Humidity Transmitter |
| Input | 12-24 V DC |
| Output | 0-10 V / 4-20 mA / Modbus RTU |

| Sensor | Measuring Range | Sensitivity | Accuracy |
|-------------|----------------------------|-------------|----------|
| Temperature | 0 - 50°C / (-20) - (+80)°C | ± 0,1 °C | ± 0,3 °C |
| Humidity | 0 - 100 % | ± % 1 | ± % 3 |

| Product Code | Output Signal |
|--------------|---------------|
| DT 301 | 0-10 V |
| DT 341 | 4-20 mA |
| DT 361 | Modbus RTU |

| Dimensions | | |
|------------|--------|--------|
| A | B | C |
| 258 mm | 142 mm | 110 mm |



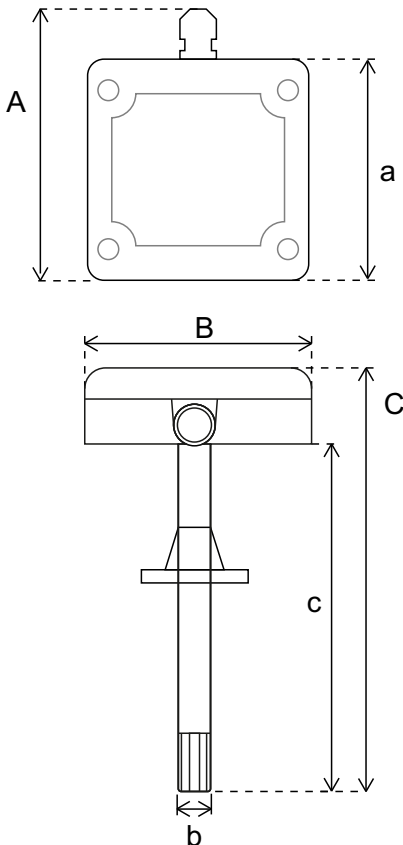
ST-2XX // TEMPERATURE & HUMIDITY TRANSMITTER / NT-2XX // HUMIDITY TRANSMITTER

DUCT TYPE

- Accurate and Precise Measuring
- Analog Output
- Long Operating Life
- Cleanable Filter
- Easy Assembling
- IP 67 Plastic Case (Not Including Sensor)



TECHNICAL SPECIFICATIONS



| Product Informations | |
|----------------------|--|
| Product Name | ST-2XX Temperature & Humidity Duct Type Transmitter NT-2XX Humidity Duct Type Transmitter |
| Input | 12-24 V DC |
| Output | 0-10 V / 4-20 mA / Modbus RTU |

| Sensor | Measuring Range | Sensitivity | Accuracy |
|-------------|----------------------------|-------------|----------|
| Temperature | 0 - 50°C / (-20) - (+80)°C | ± 0,1 °C | ± 0,3 °C |
| Humidity | 0 - 100 % | ± % 1 | ± % 3 |

| Product Code | Output Signal |
|-----------------|---------------|
| ST 201 / NT 201 | 0-10 V |
| ST 241 / NT 241 | 4-20 mA |
| ST 261 / NT 261 | Modbus RTU |

| Dimensions | | |
|------------|-------|--------|
| A | B | C |
| 102 mm | 80 mm | 229 mm |
| a | b | c |
| 80 mm | 15 mm | 191 mm |

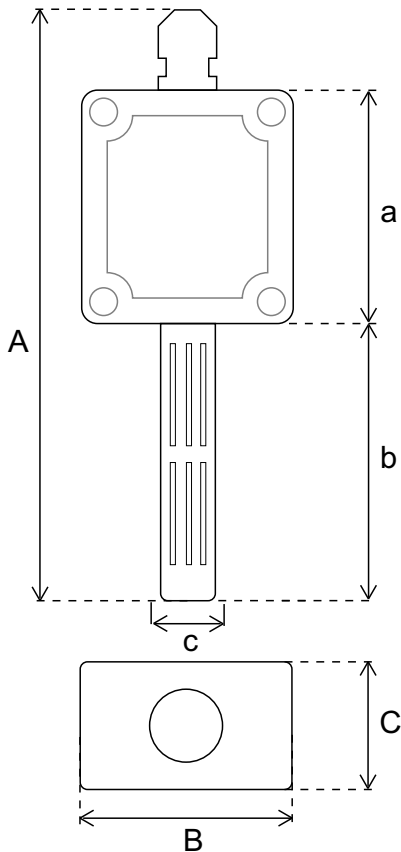


KT-3X1 // CARBON DIOXIDE (CO₂) TRANSMITTER

- Accurate and Precise Measuring
- Analog Output
- Durable and Handy Design
- Long Operating Life
- Cleanable Filter
- Easy Assembling
- IP 67 Plastic Case (Not Including Sensor)



TECHNICAL SPECIFICATIONS



| Product Informations | |
|----------------------|--|
| Product Name | KT-3X1 Carbon Dioxide (CO ₂) Transmitter |
| Input | 12-24 V DC |
| Output | 0-10 V / 4-20 mA / Modbus RTU |

| Sensor | Measuring Range | Sensitivity | Accuracy |
|-----------------------------------|---------------------------------|-------------|-------------|
| Carbon Dioxide (CO ₂) | 0 - 5.000 ppm 0 - 10.000 ppm | ± 10 ppm | ± 50 ppm+%2 |

| Product Code | Output Signal |
|--------------|---------------|
| KT 301 | 0-10 V |
| KT 341 | 4-20 mA |
| KT 361 | Modbus RTU |

| Dimensions | | |
|------------|-------|-------|
| A | B | C |
| 164 mm | 58 mm | 35 mm |
| a | b | c |
| 64 mm | 78 mm | 16 mm |

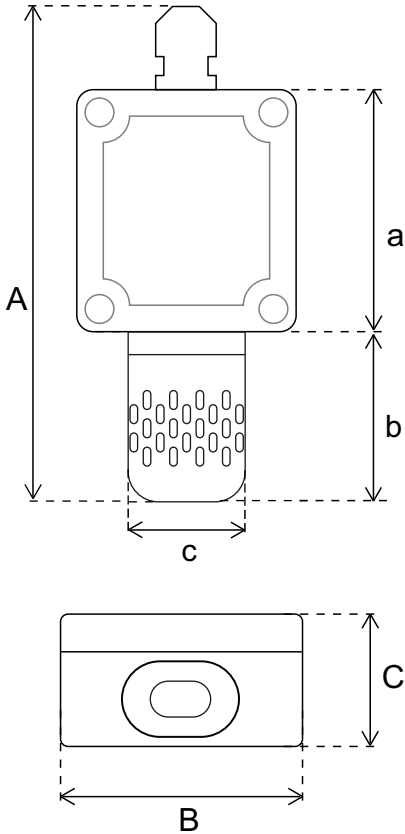


KT-3X5 // CARBON DIOXIDE TRANSMITTER / KT-3X6 // HUMIDITY & (CO₂) TRANSMITTER

- Accurate and Precise Measuring
- Analog Output
- Durable and Handy Design
- Long Operating Life
- Cleanable Filter
- Easy Assembling
- IP 67 Plastic Case (Not Including Sensor)



TECHNICAL SPECIFICATIONS



| Product Informations | |
|----------------------|---|
| Product Name | KT-3X5 Carbon Dioxide (CO ₂) Transmitter KT-3X6 Humidity & Carbon Dioxide (CO ₂) Transmitter |
| Input | 12-24 V DC |
| Output | 0-10 V / 4-20 mA / Modbus RTU |

| Sensor | Measuring Range | Sensitivity | Accuracy |
|-----------------------------------|----------------------------|-------------|-------------|
| Carbon Dioxide (CO ₂) | 0-5.000 ppm / 0-10.000 ppm | ± 10 ppm | ± 50 ppm+%2 |
| Humidity | 0 - 100 % | ± % 1 | ± % 3 |

| Product Code | Output Signal |
|-----------------|---------------|
| KT 305 / KT 306 | 0-10 V |
| KT 345 / KT 346 | 4-20 mA |
| KT 365 / KT 366 | Modbus RTU |

| Dimensions | | |
|------------|-------|-------|
| A | B | C |
| 131 mm | 58 mm | 35 mm |
| a | b | c |
| 64 mm | 45 mm | 31 mm |

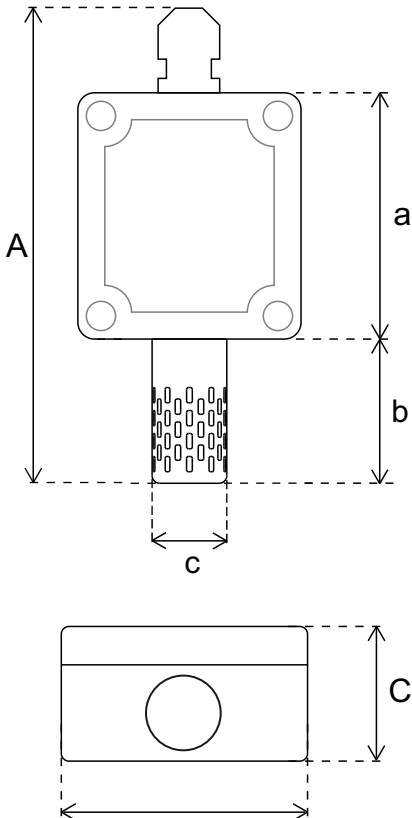


KT-3X9 // CARBON DIOXIDE (CO₂) TRANSMITTER

- Accurate and Precise Measuring
- Analog Output
- Durable and Handy Design
- Long Operating Life
- Cleanable Filter
- Easy Assembling
- IP 67 Plastic Case (Not Including Sensor)



TECHNICAL SPECIFICATIONS



| Product Informations | |
|----------------------|--|
| Product Name | KT-3X9 Carbon Dioxide (CO ₂) Transmitter |
| Input | 12-24 V DC |
| Output | 0-10 V / 4-20 mA / Modbus RTU |

| Sensor | Measuring Range | Sensitivity | Accuracy |
|-----------------------------------|-----------------|-------------|-------------|
| Carbon Dioxide (CO ₂) | 0-100 % Vol | ± 0.2 % Vol | ± 0.5 % Vol |

| Product Code | Output Signal |
|--------------|---------------|
| KT 309 | 0-10 V |
| KT 349 | 4-20 mA |
| KT 369 | Modbus RTU |

| Dimensions | | |
|------------|-------|-------|
| A | B | C |
| 124 mm | 58 mm | 35 mm |
| a | b | c |
| 64 mm | 38 mm | 20 mm |

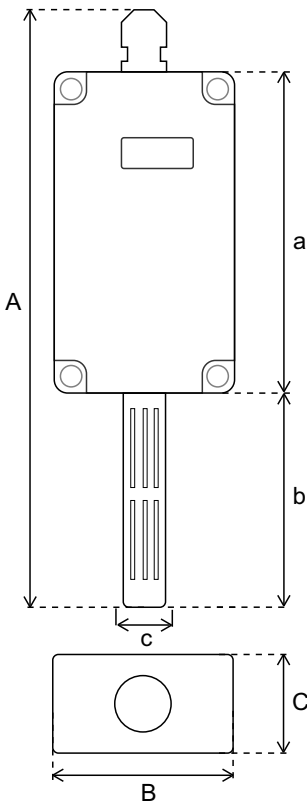


KT-4X1 // CARBON DIOXIDE (CO₂) TRANSMITTER WITH DISPLAY

- Accurate and Precise Measuring
- Analog Output
- Durable and Handy Design
- Long Operating Life
- Cleanable Filter
- Easy Assembling
- IP 67 Plastic Case (Not Including Sensor)



TECHNICAL SPECIFICATIONS



| Product Informations | |
|----------------------|---|
| Product Name | KT-4X1 Carbon Dioxide (CO ₂) Transmitter with Display |
| Input | 12-24 V DC |
| Output | 0-10 V / 4-20 mA / Modbus RTU |

| Sensor | Measuring Range | Sensitivity | Accuracy |
|-----------------------------------|---------------------------------|-------------|-------------|
| Carbon Dioxide (CO ₂) | 0 - 5.000 ppm 0 - 10.000 ppm | ± 10 ppm | ± 50 ppm+%2 |

| Product Code | Output Signal |
|--------------|---------------|
| KT 401 | 0-10 V |
| KT 441 | 4-20 mA |
| KT 461 | Modbus RTU |

| Dimensions | | |
|------------|-------|-------|
| A | B | C |
| 215 mm | 65 mm | 40 mm |
| a | b | c |
| 115 mm | 78 mm | 16 mm |

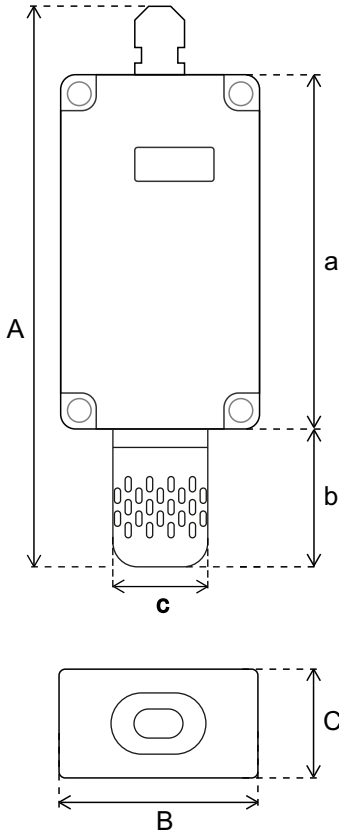


KT-4X5 // CARBON DIOXIDE (CO₂) TRANSMITTER WITH DISPLAY

- Accurate and Precise Measuring
- Analog Output
- Durable and Handy Design
- Long Operating Life
- Cleanable Filter
- Easy Assembling
- IP 67 Plastic Case (Not Including Sensor)



TECHNICAL SPECIFICATIONS



| Product Informations | |
|----------------------|---|
| Product Name | KT-4X5 Carbon Dioxide (CO ₂) Transmitter with Display |
| Input | 12-24 V DC |
| Output | 0-10 V / 4-20 mA / Modbus RTU |

| Sensor | Measuring Range | Sensitivity | Accuracy |
|-----------------------------------|---------------------------------|-------------|-------------|
| Carbon Dioxide (CO ₂) | 0 - 5.000 ppm 0 - 10.000 ppm | ± 10 ppm | ± 50 ppm+%2 |

| Product Code | Output Signal |
|--------------|---------------|
| KT 405 | 0-10 V |
| KT 445 | 4-20 mA |
| KT 465 | Modbus RTU |

| Dimensions | | |
|------------|-------|-------|
| A | B | C |
| 182 mm | 65 mm | 40 mm |
| a | b | c |
| 115 mm | 45 mm | 31mm |



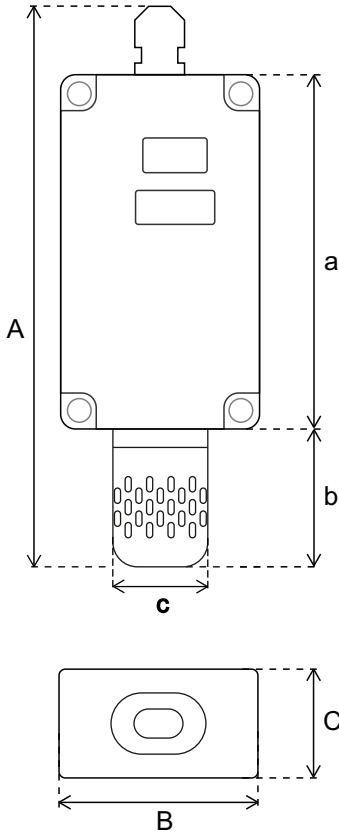


KT-4X6 // HUMIDITY & CARBON DIOXIDE (CO₂) TRANSMITTER WITH DISPLAY

- Accurate and Precise Measuring
- Analog Output
- Durable and Handy Design
- Long Operating Life
- Cleanable Filter
- Easy Assembling
- IP 67 Plastic Case (Not Including Sensor)



TECHNICAL SPECIFICATIONS



| Product Informations | |
|----------------------|--|
| Product Name | KT-4X6 Humidity & Carbon Dioxide (CO ₂) Transmitter with Display |
| Input | 12-24 V DC |
| Output | 0-10 V / 4-20 mA / Modbus RTU |

| Sensor | Measuring Range | Sensitivity | Accuracy |
|-----------------------------------|----------------------------|-------------|-------------|
| Carbon Dioxide (CO ₂) | 0-5.000 ppm / 0-10.000 ppm | ± 10 ppm | ± 50 ppm+%2 |
| Humidity | 0 - 100 % | ± % 1 | ± % 3 |

| Product Code | Output Signal |
|--------------|---------------|
| KT 406 | 0-10 V |
| KT 446 | 4-20 mA |
| KT 466 | Modbus RTU |

| Dimensions | | |
|------------|-------|-------|
| A | B | C |
| 182 mm | 65 mm | 40 mm |
| a | b | c |
| 115 mm | 45 mm | 31mm |



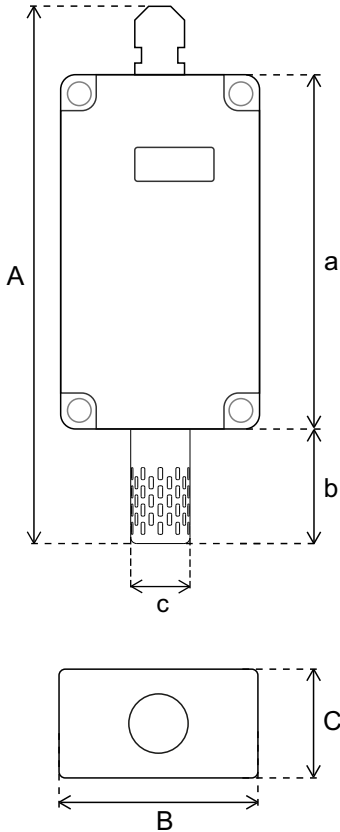


KT-4X9 // CARBON DIOXIDE (CO₂) TRANSMITTER WITH DISPLAY

- Accurate and Precise Measuring
- Analog Output
- Durable and Handy Design
- Long Operating Life
- Cleanable Filter
- Easy Assembling
- IP 67 Plastic Case (Not Including Sensor)



TECHNICAL SPECIFICATIONS



| Product Informations | |
|----------------------|---|
| Product Name | KT-3X9 Carbon Dioxide (CO ₂) Transmitter with Display |
| Input | 12-24 V DC |
| Output | 0-10 V / 4-20 mA / Modbus RTU |

| Sensor | Measuring Range | Sensitivity | Accuracy |
|-----------------------------------|-----------------|-------------|-------------|
| Carbon Dioxide (CO ₂) | 0-100 % Vol | ± 0.2 % Vol | ± 0.5 % Vol |

| Product Code | Output Signal |
|--------------|---------------|
| KT 409 | 0-10 V |
| KT 449 | 4-20 mA |
| KT 469 | Modbus RTU |

| Dimensions | | |
|------------|-------|-------|
| A | B | C |
| 175 mm | 65 mm | 40 mm |
| a | b | c |
| 115 mm | 38 mm | 20 mm |

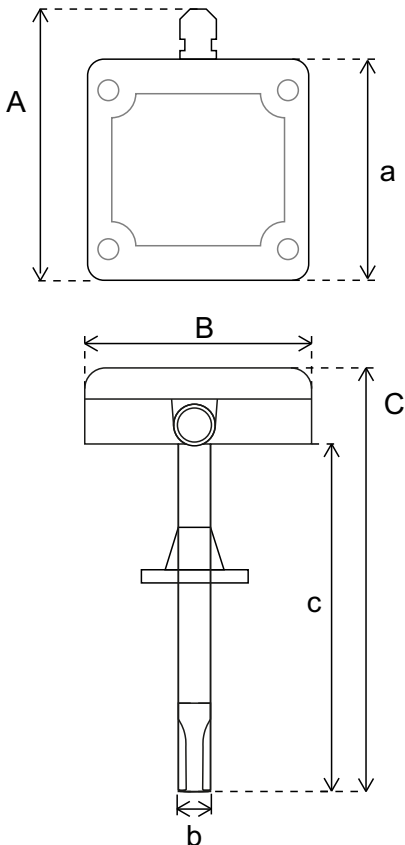


KT-2XX // CARBON DIOXIDE (CO₂) DUCT TYPE TRANSMITTER

- Accurate and Precise Measuring
- Analog Output
- Durable and Handy Design
- Long Operating Life
- Easy Assembling
- Mounting Bracket
- IP 67 Plastic Case (Not Including Air Entrance For Sensor)



TECHNICAL SPECIFICATIONS



| Product Informations | |
|----------------------|--|
| Product Name | KT-2XX Carbon Dioxide (CO ₂) Duct Type Transmitter |
| Input | 12-24 V DC |
| Output | 0-10 V / 4-20 mA / Modbus RTU |

| Sensor | Measuring Range | Sensitivity | Accuracy |
|-----------------------------------|---------------------------------|-------------|-------------|
| Carbon Dioxide (CO ₂) | 0 - 5.000 ppm 0 - 10.000 ppm | ± 10 ppm | ± 50 ppm+%2 |

| Product Code | Output Signal |
|--------------|---------------|
| KT 201 | 0-10 V |
| KT 241 | 4-20 mA |
| KT 261 | Modbus RTU |

| Dimensions | | |
|------------|-------|--------|
| A | B | C |
| 102 mm | 80 mm | 231 mm |
| a | b | c |
| 80 mm | 15 mm | 193 mm |

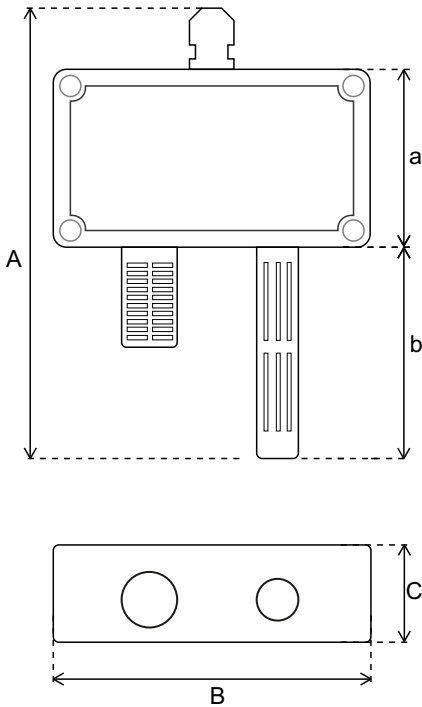


KT-5X1 // TEMPERATURE, HUMIDITY & CARBON DIOXIDE (CO₂) TRANSMITTER

- Accurate and Precise Measuring
- Analog Output
- Durable and Handy Design
- Long Operating Life
- Cleanable Filter
- Easy Assembling
- IP 67 Plastic Case (Not Including Sensor)



TECHNICAL SPECIFICATIONS



| Product Informations | |
|----------------------|--|
| Product Name | KT-5X1 Temperature, Humidity & Carbon Dioxide (CO ₂) Transmitter |
| Input | 12-24 V DC |
| Output | 0-10 V / 4-20 mA / Modbus RTU |

| Sensor | Measuring Range | Sensitivity | Accuracy |
|-----------------------------------|---------------------------------|-------------|-------------|
| Temperature | 0 - 50°C / (-20) - (+80)°C | ± 0,1 °C | ± 0,3 °C |
| Humidity | 0 - 100 % | ± % 1 | ± % 3 |
| Carbon Dioxide (CO ₂) | 0 - 5.000 ppm 0 - 10.000 ppm | ± 10 ppm | ± 50 ppm+%2 |

| Product Code | Output Signal |
|--------------|---------------|
| KT 501 | 0-10 V |
| KT 541 | 4-20 mA |
| KT 561 | Modbus RTU |

| Dimensions | | |
|------------|--------|-------|
| A | B | C |
| 164 mm | 115 mm | 40 mm |
| a | b | |
| 65 mm | 78 mm | |

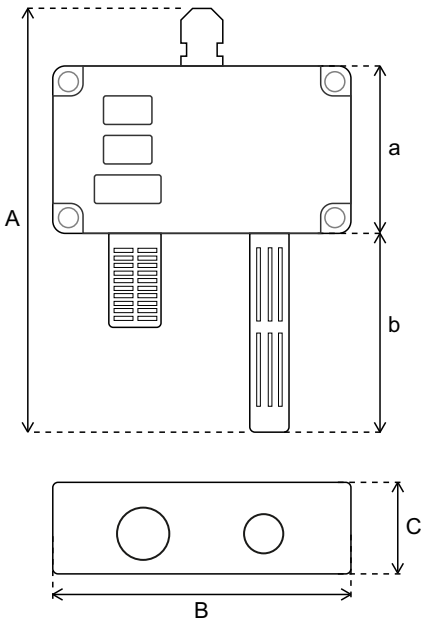


KT-6X1 // TEMPERATURE, HUMIDITY & CARBON DIOXIDE (CO₂) TRANSMITTER WITH DISPLAY

- Accurate and Precise Measuring
- Analog Output
- Durable and Handy Design
- Long Operating Life
- Cleanable Filter
- Easy Assembling
- IP 67 Plastic Case (Not Including Sensor)



TECHNICAL SPECIFICATIONS



| Product Informations | |
|----------------------|---|
| Product Name | KT-6X1 Temperature, Humidity & Carbon Dioxide (CO ₂) Transmitter with Display |
| Input | 12-24 V DC |
| Output | 0-10 V / 4-20 mA / Modbus RTU |

| Sensor | Measuring Range | Sensitivity | Accuracy |
|-----------------------------------|---------------------------------|-------------|-------------|
| Temperature | 0 - 50°C / (-20) - (+80)°C | ± 0,1 °C | ± 0,3 °C |
| Humidity | 0 - 100 % | ± % 1 | ± % 3 |
| Carbon Dioxide (CO ₂) | 0 - 5.000 ppm 0 - 10.000 ppm | ± 10 ppm | ± 50 ppm+%2 |

| Product Code | Output Signal |
|--------------|---------------|
| KT 601 | 0-10 V |
| KT 641 | 4-20 mA |
| KT 661 | Modbus RTU |

| Dimensions | | |
|------------|--------|-------|
| A | B | C |
| 164 mm | 115 mm | 40 mm |
| a | b | |
| 65 mm | 78 mm | |

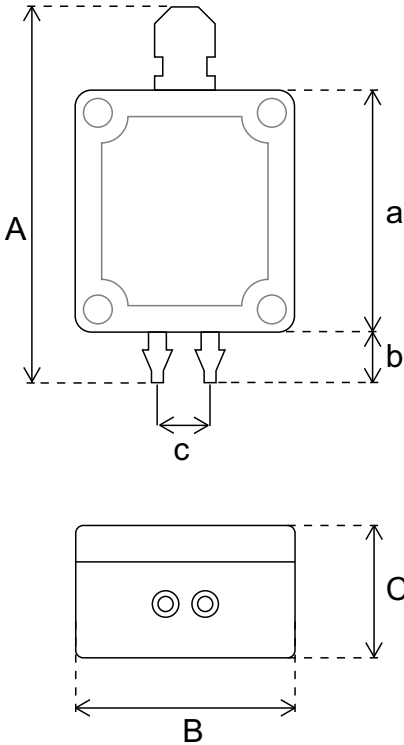


BT-3X1 // DIFFERENTIAL PRESSURE TRANSMITTER

- Accurate and Precise Measuring
- Analog Output
- Durable and Handy Design
- Long Operating Life
- Easy Assembling
- IP 67 Plastic Case (Not Including Sensor)



TECHNICAL SPECIFICATIONS



| Product Informations | |
|----------------------|--|
| Product Name | BT-3X1 Differential Pressure Transmitter |
| Input | 12-24 V DC |
| Output | 0-10 V / 4-20 mA / Modbus RTU |

| Sensor | Measuring Range | Sensitivity | Accuracy |
|----------|---|-------------|----------|
| Pressure | 0-100 Pa / 0-125 Pa (-125) - (+125) Pa (-500) - (+500) Pa | ± 1 Pa | ± %3 |

| Product Code | Output Signal |
|--------------|---------------|
| BT 301 | 0-10 V |
| BT 341 | 4-20 mA |
| BT 361 | Modbus RTU |

| Dimensions | | |
|------------|-------|-------|
| A | B | C |
| 96 mm | 58 mm | 35 mm |
| a | b | c |
| 64 mm | 10 mm | 12 mm |

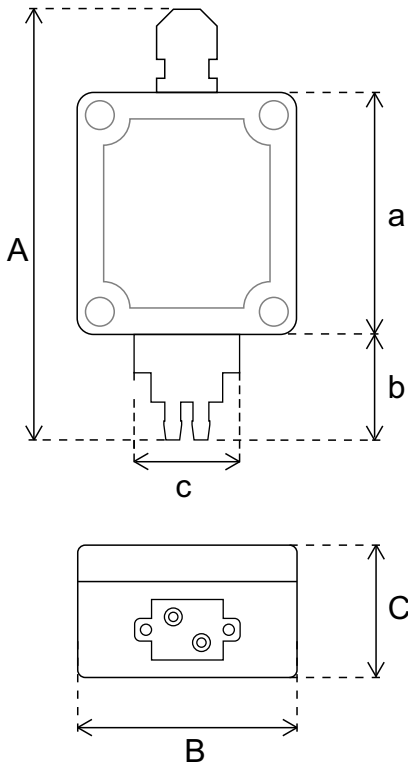


BT-3X5 // DIFFERENTIAL PRESSURE TRANSMITTER

- Accurate and Precise Measuring
- Analog Output
- Durable and Handy Design
- Long Operating Life
- Easy Assembling
- IP 67 Plastic Case (Not Including Sensor)



TECHNICAL SPECIFICATIONS



| Product Informations | |
|----------------------|--|
| Product Name | BT-3X5 Differential Pressure Transmitter |
| Input | 12-24 V DC |
| Output | 0-10 V / 4-20 mA / Modbus RTU |

| Sensor | Measuring Range | Sensitivity | Accuracy |
|----------|---|-------------|----------|
| Pressure | 0-1.000 Pa 0-5.000 Pa 0-10.000 Pa | ± 10 Pa | ± %0,5 |

| Product Code | Output Signal |
|--------------|---------------|
| BT 305 | 0-10 V |
| BT 345 | 4-20 mA |
| BT 365 | Modbus RTU |

| Dimensions | | |
|------------|-------|-------|
| A | B | C |
| 114 mm | 58 mm | 35 mm |
| a | b | c |
| 64 mm | 28 mm | 28 mm |



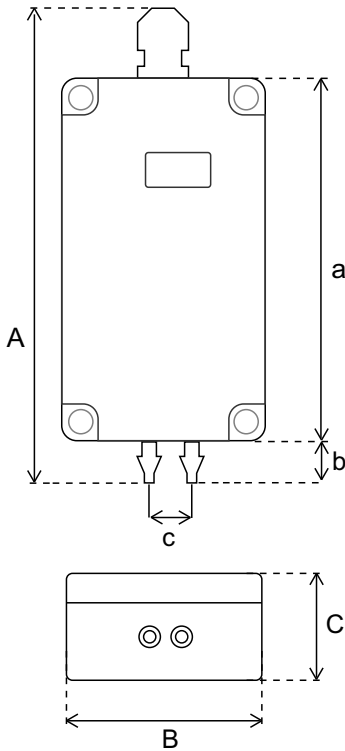


BT-4X1 // DIFFERENTIAL PRESSURE TRANSMITTER WITH DISPLAY

- Accurate and Precise Measuring
- Analog Output
- Durable and Handy Design
- Long Operating Life
- Easy Assembling
- IP 67 Plastic Case (Not Including Sensor)



TECHNICAL SPECIFICATIONS



| Product Informations | |
|----------------------|---|
| Product Name | BT-4X1 Differential Pressure Transmitter with Display |
| Input | 12-24 V DC |
| Output | 0-10 V / 4-20 mA / Modbus RTU |

| Sensor | Measuring Range | Sensitivity | Accuracy |
|----------|---|-------------|-----------|
| Pressure | 0-100 Pa / 0-125 Pa (-125) - (+125) Pa (-500) - (+500) Pa | ± 1 Pa | $\pm \%3$ |

| Product Code | Output Signal |
|--------------|---------------|
| BT 401 | 0-10 V |
| BT 441 | 4-20 mA |
| BT 461 | Modbus RTU |

| Dimensions | | |
|------------|-------|-------|
| A | B | C |
| 147 mm | 65 mm | 40 mm |
| a | b | c |
| 115 mm | 10 mm | 12 mm |

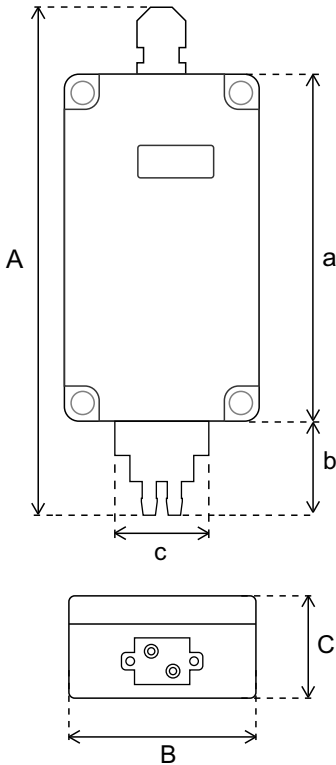


BT-4X5 // DIFFERENTIAL PRESSURE TRANSMITTER WITH DISPLAY

- Accurate and Precise Measuring
- Analog Output
- Durable and Handy Design
- Long Operating Life
- Easy Assembling
- IP 67 Plastic Case (Not Including Sensor)



TECHNICAL SPECIFICATIONS



| Product Informations | |
|----------------------|---|
| Product Name | BT-4X5 Differential Pressure Transmitter with Display |
| Input | 12-24 V DC |
| Output | 0-10 V / 4-20 mA / Modbus RTU |

| Sensor | Measuring Range | Sensitivity | Accuracy |
|----------|---|-------------|-------------|
| Pressure | 0-1.000 Pa 0-5.000 Pa 0-10.000 Pa | ± 10 Pa | $\pm \%0,5$ |

| Product Code | Output Signal |
|--------------|---------------|
| BT 405 | 0-10 V |
| BT 445 | 4-20 mA |
| BT 465 | Modbus RTU |

| Dimensions | | |
|------------|-------|-------|
| A | B | C |
| 165 mm | 65 mm | 40 mm |
| a | b | c |
| 115 mm | 28 mm | 28 mm |

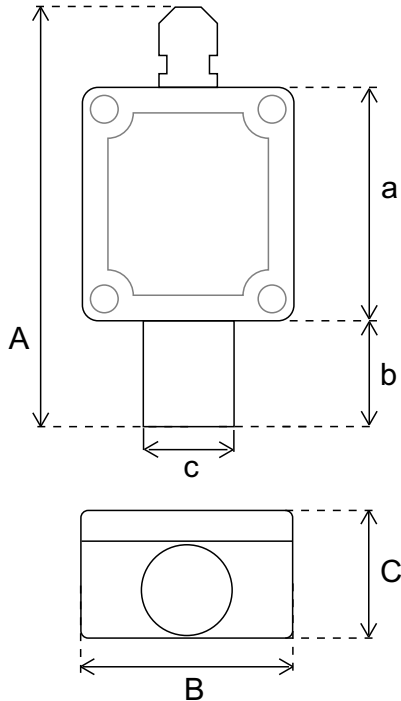


AT-3XX // AMMONIA (NH₃) TRANSMITTER

- Accurate and Precise Measuring
- Analog Output
- Durable and Handy Design
- 2 Years Sensor Operating Life
- Easy Replaceable Sensor
- Easy Assembling
- IP 67 Plastic Case (Not Including Sensor)



TECHNICAL SPECIFICATIONS



| Product Informations | |
|-----------------------|---|
| Product Name | AT-3XX Ammonia (NH ₃) Transmitter |
| Input | 12-24 V DC |
| Output | 0-10 V / 4-20 mA / Modbus RTU |
| Sensor Operating Life | 2 Years |

| Sensor | Measuring Range | Sensitivity | Accuracy |
|----------------------------|-----------------|-------------|----------|
| Ammonia (NH ₃) | 0-100 ppm | ± 1 ppm | ± 2 ppm |

| Product Code | Output Signal |
|--------------|---------------|
| AT 301 | 0-10 V |
| AT 341 | 4-20 mA |
| AT 361 | Modbus RTU |

| Dimensions | | |
|------------|-------|-------|
| A | B | C |
| 110 mm | 58 mm | 35 mm |
| a | b | c |
| 64 mm | 24 mm | 24 mm |

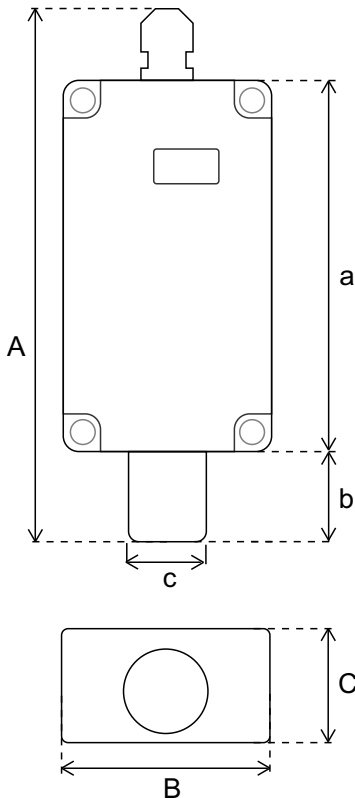


AT-4XX // AMMONIA (NH₃) TRANSMITTER WITH DISPLAY

- Accurate and Precise Measuring
- Analog Output
- Durable and Handy Design
- 2 Years Sensor Operating Life
- Easy Replaceable Sensor
- Easy Assembling
- IP 67 Plastic Case (Not Including Sensor)



TECHNICAL SPECIFICATIONS



| Product Informations | |
|-----------------------|--|
| Product Name | AT-4XX Ammonia (NH ₃) Transmitter with Display |
| Input | 12-24 V DC |
| Output | 0-10 V / 4-20 mA / Modbus RTU |
| Sensor Operating Life | 2 Years |

| Sensor | Measuring Range | Sensitivity | Accuracy |
|----------------------------|-----------------|-------------|----------|
| Ammonia (NH ₃) | 0-100 ppm | ± 1 ppm | ± 2 ppm |

| Product Code | Output Signal |
|--------------|---------------|
| AT 401 | 0-10 V |
| AT 441 | 4-20 mA |
| AT 461 | Modbus RTU |

| Dimensions | | |
|------------|-------|-------|
| A | B | C |
| 161 mm | 65 mm | 40 mm |
| a | b | c |
| 115 mm | 24 mm | 24 mm |

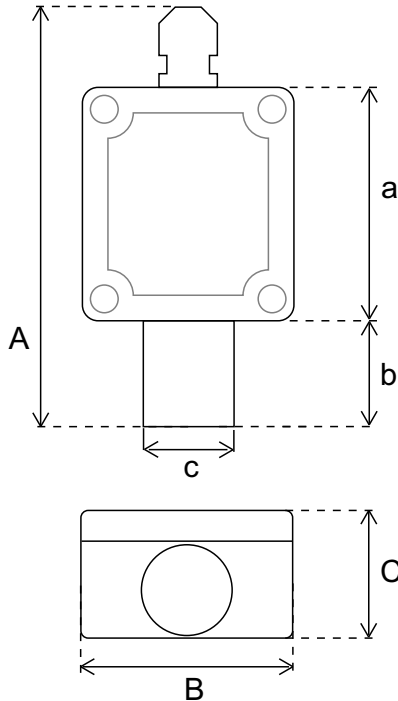


ET-3XX // ETHYLENE (C₂H₄) TRANSMITTER

- Accurate and Precise Measuring
- Analog Output
- Durable and Handy Design
- 2 Years Sensor Operating Life
- Easy Replaceable Sensor
- Easy Assembling
- IP 67 Plastic Case (Not Including Sensor)



TECHNICAL SPECIFICATIONS



| Product Informations | |
|-----------------------|--|
| Product Name | ET-3XX Ethylene (C ₂ H ₄) Transmitter |
| Input | 12-24 V DC |
| Output | 0-10 V / 4-20 mA / Modbus RTU |
| Sensor Operating Life | 2 Years |

| Sensor | Measuring Range | Sensitivity | Accuracy |
|---|----------------------|-------------|----------|
| Ethylene (C ₂ H ₄) | 0-10 ppm / 0-100 ppm | ± 0,1 ppm | ± 1 ppm |

| Product Code | Output Signal |
|--------------|---------------|
| ET 301 | 0-10 V |
| ET 341 | 4-20 mA |
| ET 361 | Modbus RTU |

| Dimensions | | |
|------------|-------|-------|
| A | B | C |
| 110 mm | 58 mm | 35 mm |
| a | b | c |
| 64 mm | 24 mm | 24 mm |

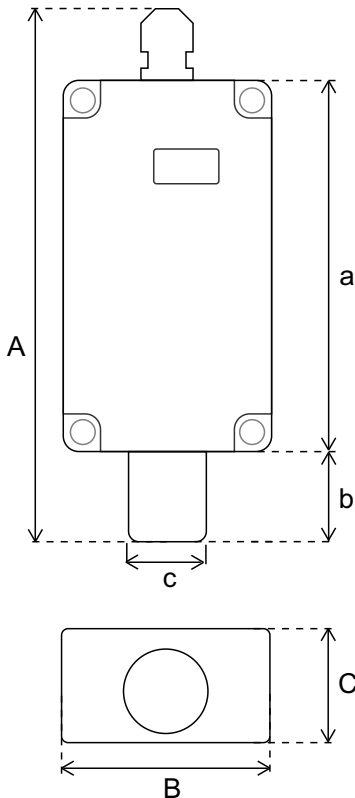


ET-4XX // ETHYLENE (C₂H₄) TRANSMITTER WITH DISPLAY

- Accurate and Precise Measuring
- Analog Output
- Durable and Handy Design
- 2 Years Sensor Operating Life
- Easy Replaceable Sensor
- Easy Assembling
- IP 67 Plastic Case (Not Including Sensor)



TECHNICAL SPECIFICATIONS



| Product Informations | |
|-----------------------|---|
| Product Name | ET-4XX Ethylene (C ₂ H ₄) Transmitter with Display |
| Input | 12-24 V DC |
| Output | 0-10 V / 4-20 mA / Modbus RTU |
| Sensor Operating Life | 2 Years |

| Sensor | Measuring Range | Sensitivity | Accuracy |
|---|----------------------|-------------|----------|
| Ethylene (C ₂ H ₄) | 0-10 ppm / 0-100 ppm | ± 0,1 ppm | ± 1 ppm |

| Product Code | Output Signal |
|--------------|---------------|
| ET 401 | 0-10 V |
| ET 441 | 4-20 mA |
| ET 461 | Modbus RTU |

| Dimensions | | |
|------------|-------|-------|
| A | B | C |
| 161 mm | 65 mm | 40 mm |
| a | b | c |
| 115 mm | 24 mm | 24 mm |



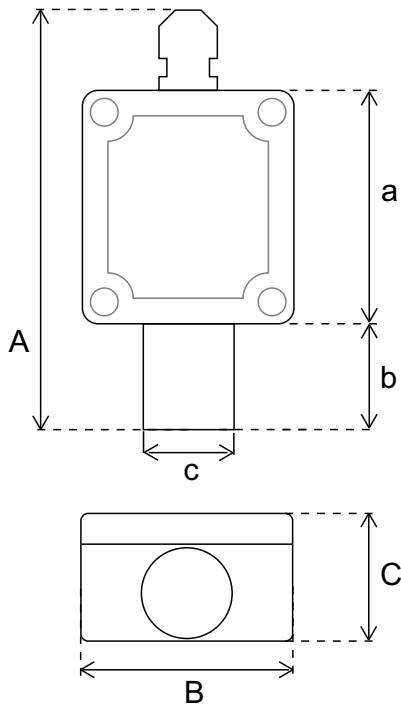


CT-3XX // CARBON MONOXIDE (CO) TRANSMITTER

- Accurate and Precise Measuring
- Analog Output
- Durable and Handy Design
- 2 Years Sensor Operating Life
- Easy Replaceable Sensor
- Easy Assembling
- IP 67 Plastic Case (Not Including Sensor)



TECHNICAL SPECIFICATIONS



| Product Informations | |
|-----------------------|---|
| Product Name | CT-3XX Carbon Monoxide (CO) Transmitter |
| Input | 12-24 V DC |
| Output | 0-10 V / 4-20 mA / Modbus RTU |
| Sensor Operating Life | 2 Years |

| Sensor | Measuring Range | Sensitivity | Accuracy |
|----------------------|-----------------|-------------|----------|
| Carbon Monoxide (CO) | 0-1000 ppm | ± 1 ppm | ± 5 ppm |

| Product Code | Output Signal |
|--------------|---------------|
| CT 301 | 0-10 V |
| CT 341 | 4-20 mA |
| CT 361 | Modbus RTU |

| Dimensions | | |
|------------|-------|-------|
| A | B | C |
| 110 mm | 58 mm | 35 mm |
| a | b | c |
| 64 mm | 24 mm | 24 mm |

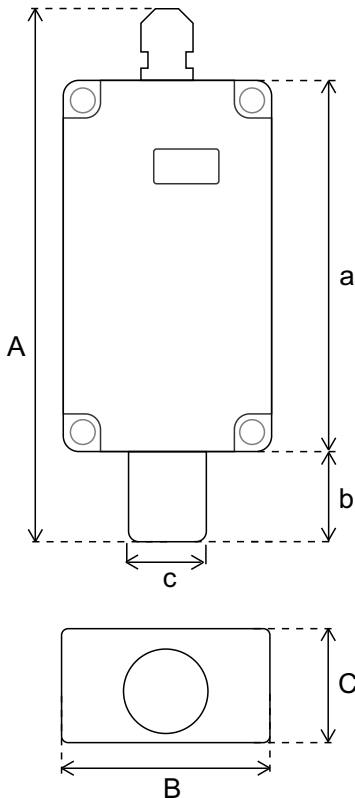


CT-4XX // CARBON MONOXIDE (CO) TRANSMITTER WITH DISPLAY

- Accurate and Precise Measuring
- Analog Output
- Durable and Handy Design
- 2 Years Sensor Operating Life
- Easy Replaceable Sensor
- Easy Assembling
- IP 67 Plastic Case (Not Including Sensor)



TECHNICAL SPECIFICATIONS



| Product Informations | |
|-----------------------|--|
| Product Name | CT-4XX Carbon Monoxide (CO) Transmitter with Display |
| Input | 12-24 V DC |
| Output | 0-10 V / 4-20 mA / Modbus RTU |
| Sensor Operating Life | 2 Years |

| Sensor | Measuring Range | Sensitivity | Accuracy |
|----------------------|-----------------|-------------|----------|
| Carbon Monoxide (CO) | 0-1000 ppm | ± 1 ppm | ± 5 ppm |

| Product Code | Output Signal |
|--------------|---------------|
| CT 401 | 0-10 V |
| CT 441 | 4-20 mA |
| CT 461 | Modbus RTU |

| Dimensions | | |
|------------|-------|-------|
| A | B | C |
| 161 mm | 65 mm | 40 mm |
| a | b | c |
| 115 mm | 24 mm | 24 mm |



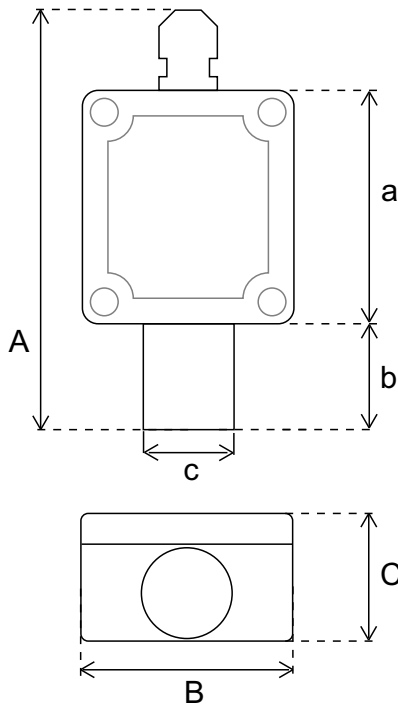


OT-3XX // OXYGEN (O₂) TRANSMITTER

- Accurate and Precise Measuring
- Analog Output
- Durable and Handy Design
- 2 Years Sensor Operating Life
- Easy Replaceable Sensor
- Easy Assembling
- IP 67 Plastic Case (Not Including Sensor)



TECHNICAL SPECIFICATIONS



| Product Informations | |
|-----------------------|---|
| Product Name | OT-3XX Oxygen (O ₂) Transmitter |
| Input | 12-24 V DC |
| Output | 0-10 V / 4-20 mA / Modbus RTU |
| Sensor Operating Life | 2 Years |

| Sensor | Measuring Range | Sensitivity | Accuracy |
|--------------------------|-----------------|-------------|-----------|
| Oxygen (O ₂) | 0-25 % VOL | ± 0.1 % VOL | ± 1 % VOL |

| Product Code | Output Signal |
|--------------|---------------|
| OT 301 | 0-10 V |
| OT 341 | 4-20 mA |
| OT 361 | Modbus RTU |

| Dimensions | | |
|------------|-------|-------|
| A | B | C |
| 110 mm | 58 mm | 35 mm |
| a | b | c |
| 64 mm | 24 mm | 24 mm |

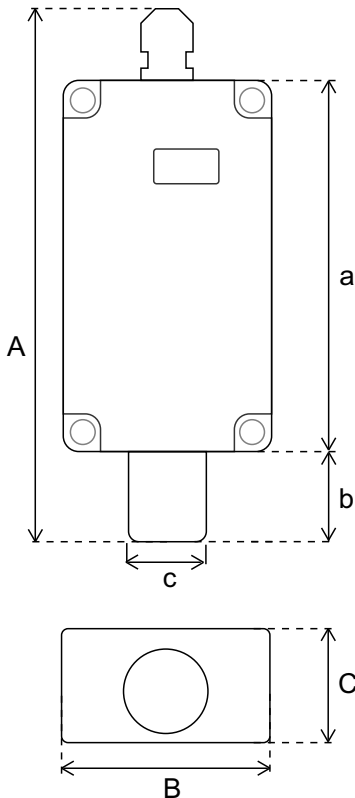


OT-4XX // OXYGEN (O₂) TRANSMITTER WITH DISPLAY

- Accurate and Precise Measuring
- Analog Output
- Durable and Handy Design
- 2 Years Sensor Operating Life
- Easy Replaceable Sensor
- Easy Assembling
- IP 67 Plastic Case (Not Including Sensor)



TECHNICAL SPECIFICATIONS



| Product Informations | |
|-----------------------|--|
| Product Name | OT-4XX Oxygen (O ₂) Transmitter with Display |
| Input | 12-24 V DC |
| Output | 0-10 V / 4-20 mA / Modbus RTU |
| Sensor Operating Life | 2 Years |

| Sensor | Measuring Range | Sensitivity | Accuracy |
|--------------------------|-----------------|-------------|-----------|
| Oxygen (O ₂) | 0-25 % VOL | ± 0.1 % VOL | ± 1 % VOL |

| Product Code | Output Signal |
|--------------|---------------|
| OT 401 | 0-10 V |
| OT 441 | 4-20 mA |
| OT 461 | Modbus RTU |

| Dimensions | | |
|------------|-------|-------|
| A | B | C |
| 161 mm | 65 mm | 40 mm |
| a | b | c |
| 115 mm | 24 mm | 24 mm |

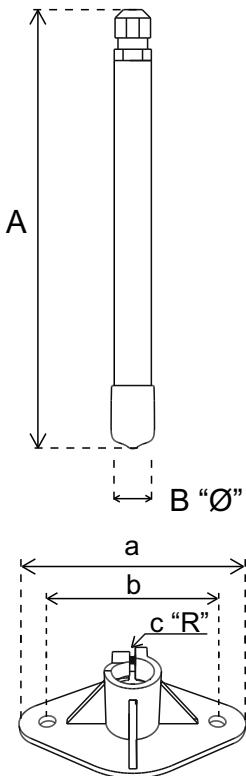


HT-2XX // AIR VELOCITY TRANSMITTER

- Accurate and Precise Measuring
- Analog Output
- Durable and Handy Design
- Long Operating Life
- Easy Assembling
- IP 67 Plastic Case (Not Including Sensor)



TECHNICAL SPECIFICATIONS



| Product Informations | |
|----------------------|---------------------------------------|
| Product Name | HT-2XX Air Velocity Transmitter |
| Input | 24 V DC / 12 V DC (HT-202) |
| Output | 0-5 V / 0-10 V / 4-20 mA / Modbus RTU |

| Sensor | Measuring Range | Sensitivity | Accuracy |
|--------------|----------------------------------|-------------|-----------|
| Air Velocity | 0 - 10 m/s 0 - 5 m/s (HT-202) | ± 0,1 m/s | ± 0,2 m/s |

| Product Code | Output Signal |
|-----------------|----------------|
| HT 201 / HT 202 | 0-10 V / 0-5 V |
| HT 241 | 4-20 mA |
| HT 261 | Modbus RTU |

| Dimensions | | |
|------------|-------|---------|
| A | B | |
| 167 mm | 14 mm | |
| a | b | c |
| 80 mm | 60 mm | 7,25 mm |



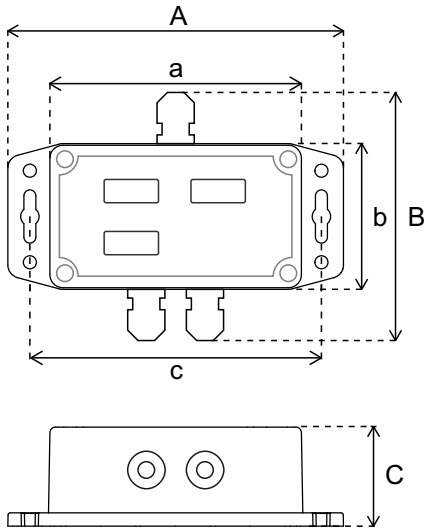


EG-6XX // DIGITAL DISPLAY

- Accurate and Precise Measuring
- 3 Analog Input
- Durable and Handy Design
- Long Operating Life
- Easy Assembling
- IP 67 Plastic Case (Not Including Sensor)
- Switchable Sensor Inputs on Demand



TECHNICAL SPECIFICATIONS



| Product Informations | |
|----------------------|---|
| Product Name | EG-601 Temperature, Humidity & Carbon Dioxide (CO2) Display |
| Input | 12-24 V DC |

| Sensor | Measuring Range | Sensitivity | Accuracy |
|-----------------------------------|---------------------------------|-------------|-------------|
| Temperature | 0 - 50°C / (-20) - (+80)°C | ± 0,1 °C | ± 0,3 °C |
| Humidity | 0 - 100 % | ± % 1 | ± % 3 |
| Carbon Dioxide (CO ₂) | 0 - 5.000 ppm 0 - 10.000 ppm | ± 10 ppm | ± 50 ppm+%2 |

| Dimensions | | | | | |
|------------|--------|-------|--------|-------|--------|
| A | B | C | a | b | c |
| 152 mm | 109 mm | 60 mm | 115 mm | 65 mm | 113 mm |



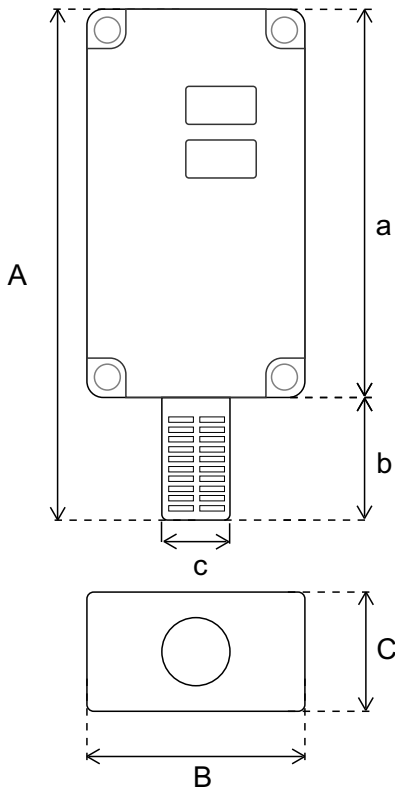


SS-412 // PORTABLE TEMPERATURE & HUMIDITY SENSOR

- Accurate and Precise Measuring
- Internal Battery
- Durable and Handy Design
- Long Operating Life
- Cleanable Filter
- IP 67 Plastic Case (Not Including Sensor)



TECHNICAL SPECIFICATIONS



| Product Informations | |
|----------------------|---|
| Product Name | SS-412 Portable Temperature & Humidity Sensor |
| Input | 12 V DC |

| Sensor | Measuring Range | Sensitivity | Accuracy |
|-------------|-----------------|-------------|----------|
| Temperature | (-20) - (+80)°C | ± 0,1 °C | ± 0,3 °C |
| Humidity | 0 - 100 % | ± % 1 | ± % 3 |

| Dimensions | | | | | |
|------------|-------|-------|--------|-------|-------|
| A | B | C | a | b | c |
| 151 mm | 65 mm | 40 mm | 115 mm | 36 mm | 20 mm |

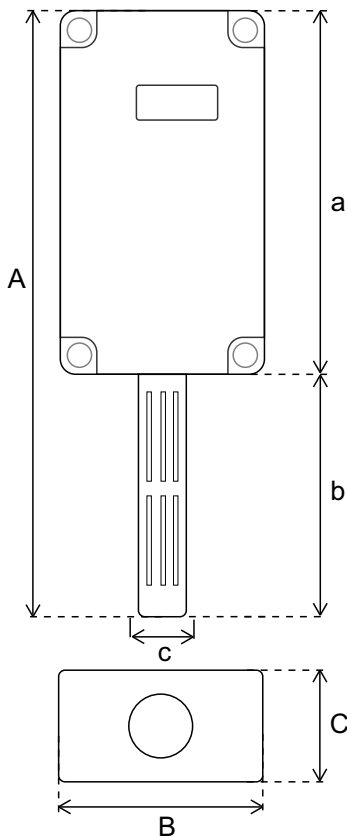


KS-412 // PORTABLE CARBON DIOXIDE (CO₂) SENSOR

- Accurate and Precise Measuring
- Internal Battery
- Durable and Handy Design
- Long Operating Life
- Cleanable Filter
- IP 67 Plastic Case (Not Including Sensor)



TECHNICAL SPECIFICATIONS



| Product Informations | |
|----------------------|--|
| Product Name | KS-412 Portable Carbon Dioxide (CO ₂) Sensor |
| Input | 12 V DC |

| Sensor | Measuring Range | Sensitivity | Accuracy |
|-----------------------------------|---------------------------------|-------------|--------------|
| Carbon Dioxide (CO ₂) | 0 - 5.000 ppm 0 - 10.000 ppm | ± 10 ppm | ± 50 ppm+%/2 |

| Dimensions | | | | | |
|------------|-------|-------|--------|-------|-------|
| A | B | C | a | b | c |
| 193 mm | 65 mm | 40 mm | 115 mm | 78 mm | 16 mm |

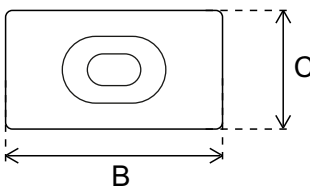
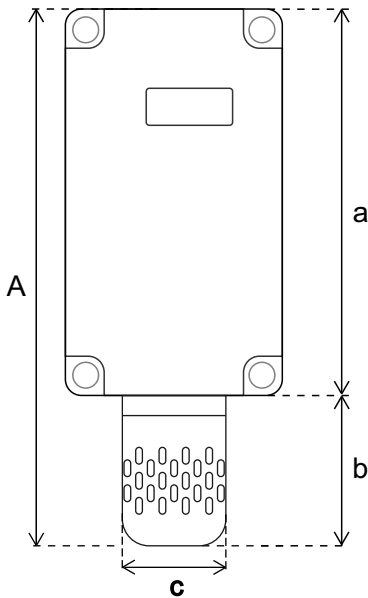


KS-415 // PORTABLE CARBON DIOXIDE (CO₂) SENSOR

- Accurate and Precise Measuring
- Internal Battery
- Durable and Handy Design
- Long Operating Life
- Cleanable Filter
- IP 67 Plastic Case (Not Including Sensor)



TECHNICAL SPECIFICATIONS



| Product Informations | |
|----------------------|--|
| Product Name | KS-415 Portable Carbon Dioxide (CO ₂) Sensor |
| Input | 12 V DC |

| Sensor | Measuring Range | Sensitivity | Accuracy |
|-----------------------------------|---------------------------------|-------------|--------------|
| Carbon Dioxide (CO ₂) | 0 - 5.000 ppm 0 - 10.000 ppm | ± 10 ppm | ± 50 ppm+%/2 |

| Dimensions | | | | | |
|------------|-------|-------|--------|-------|-------|
| A | B | C | a | b | c |
| 160 mm | 65 mm | 40 mm | 115 mm | 45 mm | 31 mm |

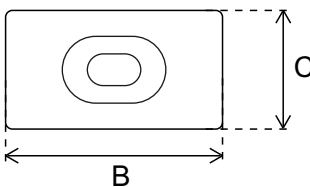
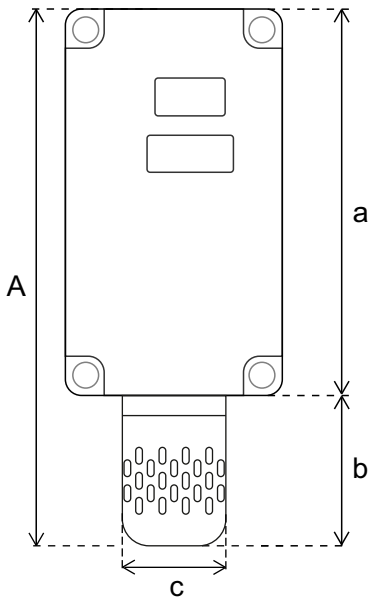


KS-416 // PORTABLE HUMIDITY & CARBON DIOXIDE (CO₂) SENSOR

- Accurate and Precise Measuring
- Internal Battery
- Durable and Handy Design
- Long Operating Life
- Cleanable Filter
- IP 67 Plastic Case (Not Including Sensor)



TECHNICAL SPECIFICATIONS



| Product Informations | |
|----------------------|---|
| Product Name | KS-416 Portable Humidity & Carbon Dioxide (CO ₂) Sensor |
| Input | 12 V DC |

| Sensor | Measuring Range | Sensitivity | Accuracy |
|-----------------------------------|----------------------------|-------------|--------------|
| Carbon Dioxide (CO ₂) | 0-5.000 ppm / 0-10.000 ppm | ± 10 ppm | ± 50 ppm+%/2 |
| Humidity | 0 - 100 % | ± % 1 | ± % 3 |

| Dimensions | | | | | |
|------------|-------|-------|--------|-------|-------|
| A | B | C | a | b | c |
| 160 mm | 65 mm | 40 mm | 115 mm | 45 mm | 31 mm |

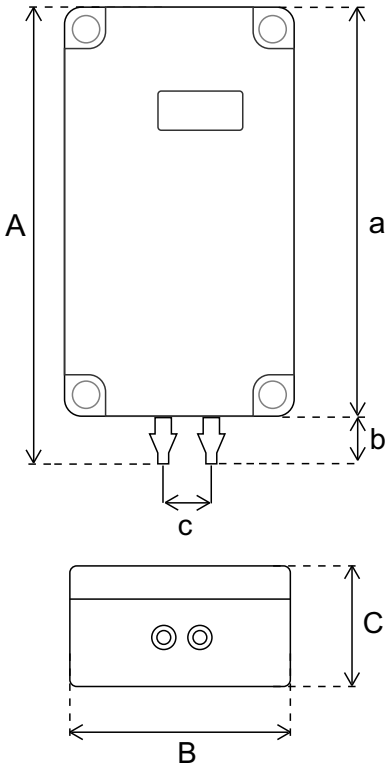


BS-412 // PORTABLE DIFFERENTIAL PRESSURE SENSOR

- Accurate and Precise Measuring
- Internal Battery
- Durable and Handy Design
- Long Operating Life
- IP 67 Plastic Case (Not Including Sensor)



TECHNICAL SPECIFICATIONS



| Product Informations | |
|----------------------|--|
| Product Name | BS-412 Portable Differential Pressure Sensor |
| Input | 12 V DC |

| Sensor | Measuring Range | Sensitivity | Accuracy |
|----------|--|-------------|-----------|
| Pressure | (-125) - (+125) Pa (-500) - (+500) Pa | ± 1 Pa | $\pm \%3$ |

| Dimensions | | | | | |
|------------|-------|-------|--------|-------|-------|
| A | B | C | a | b | c |
| 125 mm | 65 mm | 40 mm | 115 mm | 10 mm | 12 mm |

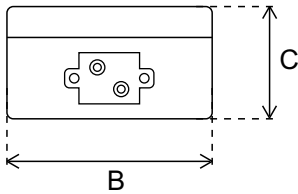
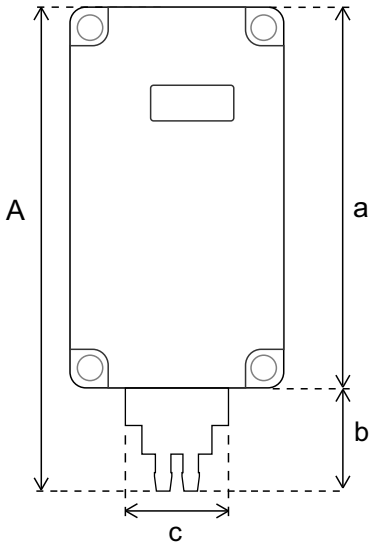


BS-415 // PORTABLE DIFFERENTIAL PRESSURE SENSOR

- Accurate and Precise Measuring
- Internal Battery
- Durable and Handy Design
- Long Operating Life
- IP 67 Plastic Case (Not Including Sensor)



TECHNICAL SPECIFICATIONS



| Product Informations | |
|----------------------|--|
| Product Name | BS-415 Portable Differential Pressure Sensor |
| Input | 12 V DC |

| Sensor | Measuring Range | Sensitivity | Accuracy |
|----------|-----------------|-------------|-------------|
| Pressure | 0-10.000 Pa | ± 10 Pa | $\pm \%0,5$ |

| Dimensions | | | | | |
|------------|-------|-------|--------|-------|-------|
| A | B | C | a | b | c |
| 143 mm | 65 mm | 40 mm | 115 mm | 28 mm | 28 mm |



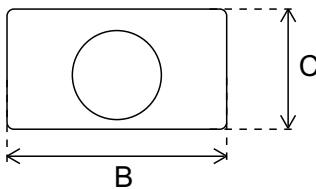
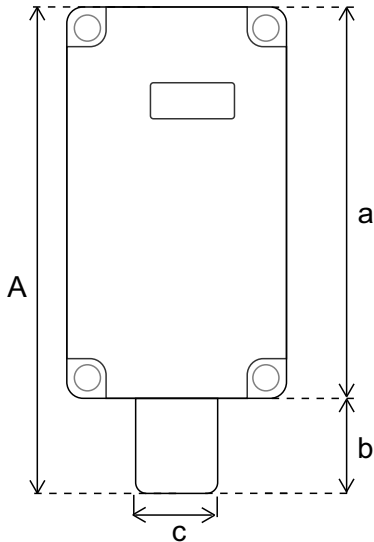


AS/ES/CS/OS-412 // PORTABLE GAS SENSORS

- Accurate and Precise Measuring
- Internal Battery
- Durable and Handy Design
- 2 Years Sensor Operating Life
- Easy Replaceable Sensor
- IP 67 Plastic Case (Not Including Sensor)



TECHNICAL SPECIFICATIONS



| Product Informations | |
|----------------------|--------------------------------------|
| Product Name | AS/ES/CS/OS-412 Portable Gas Sensors |
| Input | 12 V DC |

| Sensor | Measuring Range | Sensitivity | Accuracy |
|---|-----------------|-------------|-----------|
| Ammonia (NH ₃) | 0-100 ppm | ± 1 ppm | ± 2 ppm |
| Ethylene (C ₂ H ₄) | 0-100 ppm | ± 0,1 ppm | ± 1 ppm |
| Carbon Monoxide (CO) | 0-1000 ppm | ± 1 ppm | ± 5 ppm |
| Oxygen (O ₂) | 0-25 % VOL | ± 0.1 % VOL | ± 1 % VOL |

| Dimensions | | | | | |
|------------|-------|-------|--------|-------|-------|
| A | B | C | a | b | c |
| 139 mm | 65 mm | 40 mm | 115 mm | 24 mm | 24 mm |

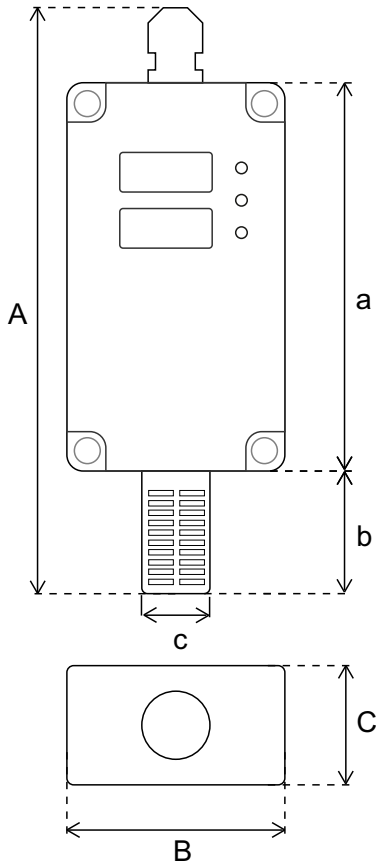


SR-411 // TEMPERATURE & HUMIDITY CONTROL DEVICE

- Accurate and Precise Measuring
- 2 Relay Outputs
- Buzzer (Optional)
- Long Operating Life
- Cleanable Filter
- Easy Assembling
- Adjustable Relay Sensitivity



TECHNICAL SPECIFICATIONS



| Product Informations | |
|----------------------|--|
| Product Name | SR-411 Temperature & Humidity Control Device |
| Input | 12-24 V DC |
| Output | Relay (2A) |

| Sensor | Measuring Range | Sensitivity | Accuracy |
|-------------|-----------------|-------------|----------|
| Temperature | (-20) - (+60)°C | ± 0,1 °C | ± 0,3 °C |
| Humidity | 0 - 100 % | ± % 1 | ± % 3 |

| Dimensions | | | | | |
|------------|-------|-------|--------|-------|-------|
| A | B | C | a | b | c |
| 172 mm | 65 mm | 40 mm | 115 mm | 36 mm | 20 mm |

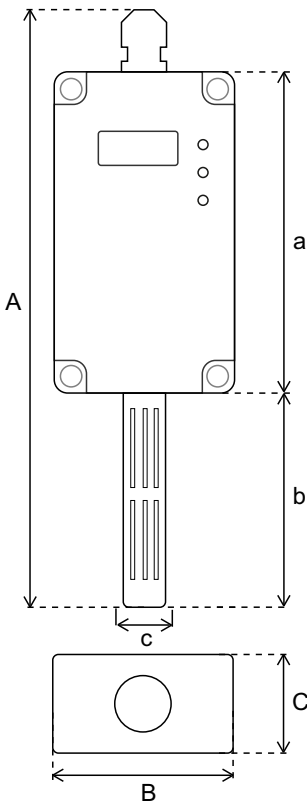


KR-411 // CARBON DIOXIDE (CO₂) CONTROL DEVICE

- Accurate and Precise Measuring
- 1 Relay Output
- Buzzer (Optional)
- Long Operating Life
- Cleanable Filter
- Easy Assembling
- Adjustable Relay Sensitivity



TECHNICAL SPECIFICATIONS



| Product Informations | |
|----------------------|---|
| Product Name | KR-411 Carbon Dioxide (CO ₂) Control Device |
| Input | 12-24 V DC |
| Output | Relay (2A) |

| Sensor | Measuring Range | Sensitivity | Accuracy |
|-----------------------------------|---------------------------------|-------------|--------------|
| Carbon Dioxide (CO ₂) | 0 - 5.000 ppm 0 - 10.000 ppm | ± 10 ppm | ± 50 ppm+%/2 |

| Dimensions | | | | | |
|------------|-------|-------|--------|-------|-------|
| A | B | C | a | b | c |
| 215 mm | 65 mm | 40 mm | 115 mm | 78 mm | 16 mm |

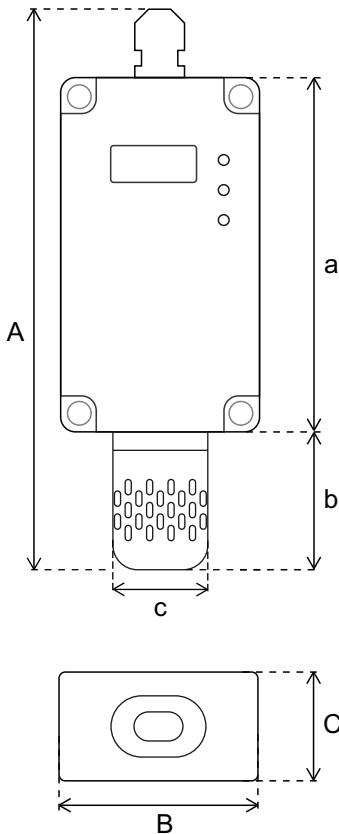


KR-415 // CARBON DIOXIDE (CO₂) CONTROL DEVICE

- Accurate and Precise Measuring
- 1 Relay Output
- Buzzer (Optional)
- Long Operating Life
- Cleanable Filter
- Easy Assembling
- Adjustable Relay Sensitivity



TECHNICAL SPECIFICATIONS



| Product Informations | |
|----------------------|---|
| Product Name | KR-415 Carbon Dioxide (CO ₂) Control Device |
| Input | 12-24 V DC |
| Output | Relay (2A) |

| Sensor | Measuring Range | Sensitivity | Accuracy |
|-----------------------------------|---------------------------------|-------------|-------------|
| Carbon Dioxide (CO ₂) | 0 - 5.000 ppm 0 - 10.000 ppm | ± 10 ppm | ± 50 ppm+%2 |

| Dimensions | | | | | |
|------------|-------|-------|--------|-------|-------|
| A | B | C | a | b | c |
| 182 mm | 65 mm | 40 mm | 115 mm | 45 mm | 31 mm |

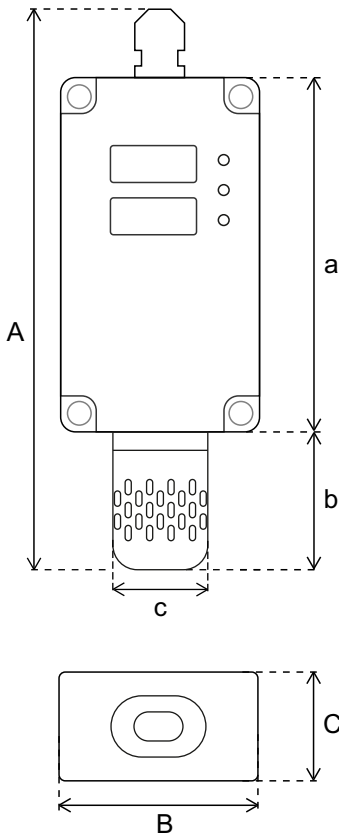


KR-416 // HUMIDITY & CARBON DIOXIDE (CO₂) CONTROL DEVICE

- Accurate and Precise Measuring
- 2 Relay Output
- Buzzer (Optional)
- Long Operating Life
- Cleanable Filter
- Easy Assembling
- Adjustable Relay Sensitivity



TECHNICAL SPECIFICATIONS



| Product Informations | |
|----------------------|--|
| Product Name | KR-416 Humidity & Carbon Dioxide (CO ₂) Control Device |
| Input | 12-24 V DC |
| Output | Relay (2A) |

| Sensor | Measuring Range | Sensitivity | Accuracy |
|-----------------------------------|----------------------------|-------------|--------------|
| Carbon Dioxide (CO ₂) | 0-5.000 ppm / 0-10.000 ppm | ± 10 ppm | ± 50 ppm+%/2 |
| Humidity | 0 - 100 % | ± % 1 | ± % 3 |

| Dimensions | | | | | |
|------------|-------|-------|--------|-------|-------|
| A | B | C | a | b | c |
| 182 mm | 65 mm | 40 mm | 115 mm | 45 mm | 31 mm |

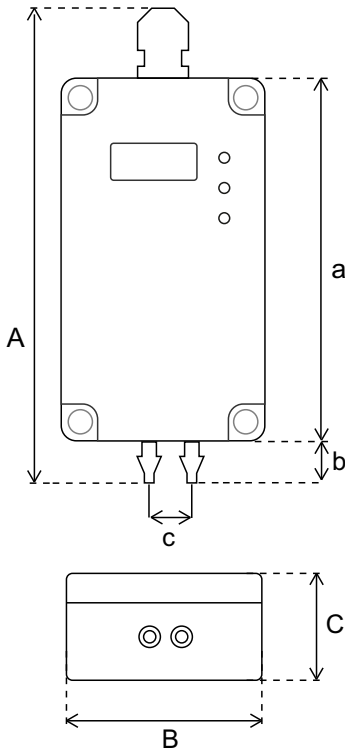


BR-411 // DIFFERENTIAL PRESSURE CONTROL DEVICE

- Accurate and Precise Measuring
- 1 Relay Output
- Buzzer (Optional)
- Durable and Handy Design
- Long Operating Life
- Easy Assembling
- Adjustable Relay Sensitivity



TECHNICAL SPECIFICATIONS



| Product Informations | |
|----------------------|---|
| Product Name | BR-411 Differential Pressure Control Device |
| Input | 12-24 V DC |
| Output | Relay (2A) |

| Sensor | Measuring Range | Sensitivity | Accuracy |
|----------|---|-------------|----------|
| Pressure | 0-100 Pa / 0-125 Pa (-125) - (+125) Pa (-500) - (+500) Pa | ± 1 Pa | ± %3 |

| Dimensions | | | | | |
|------------|-------|-------|--------|-------|-------|
| A | B | C | a | b | c |
| 147 mm | 65 mm | 40 mm | 115 mm | 10 mm | 12 mm |

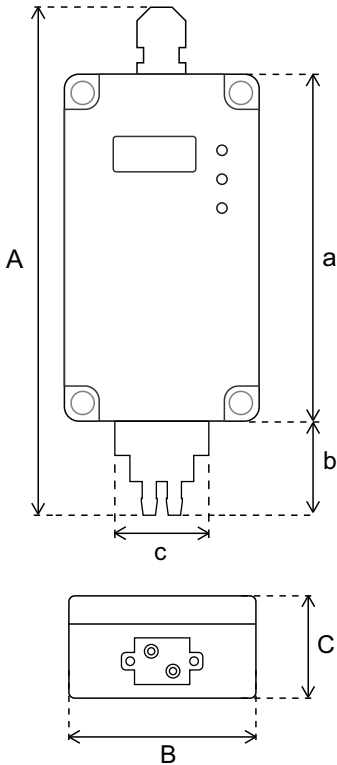


BR-415 // DIFFERENTIAL PRESSURE CONTROL DEVICE

- Accurate and Precise Measuring
- 1 Relay Output
- Buzzer (Optional)
- Durable and Handy Design
- Long Operating Life
- Easy Assembling
- Adjustable Relay Sensitivity



TECHNICAL SPECIFICATIONS



| Product Informations | |
|----------------------|---|
| Product Name | BR-415 Differential Pressure Control Device |
| Input | 12-24 V DC |
| Output | Relay (2A) |

| Sensor | Measuring Range | Sensitivity | Accuracy |
|----------|---|-------------|----------|
| Pressure | 0-1.000 Pa 0-5.000 Pa 0-10.000 Pa | ± 10 Pa | ± %0,5 |

| Dimensions | | | | | |
|------------|-------|-------|--------|-------|-------|
| A | B | C | a | b | c |
| 165 mm | 65 mm | 40 mm | 115 mm | 28 mm | 28 mm |

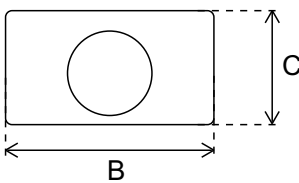
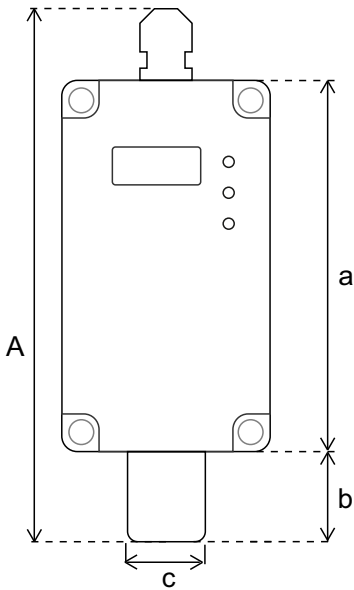


AR/ER/CR/OR-411 // GAS CONTROL DEVICES

- Accurate and Precise Measuring
- 1 Relay Output
- Buzzer (Optional)
- 2 Years Sensor Operating Life
- Easy Replaceable Sensor
- Easy Assembling
- Adjustable Relay Sensitivity



TECHNICAL SPECIFICATIONS



| Product Informations | |
|----------------------|-------------------------------------|
| Product Name | AR/ER/CR/OR-411 Gas Control Devices |
| Input | 12-24 V DC |
| Output | Relay (2A) |

| Sensor | Measuring Range | Sensitivity | Accuracy |
|---|----------------------|-------------|-----------|
| Ammonia (NH ₃) | 0-100 ppm | ± 1 ppm | ± 2 ppm |
| Ethylene (C ₂ H ₄) | 0-10 ppm / 0-100 ppm | ± 0,1 ppm | ± 1 ppm |
| Carbon Monoxide (CO) | 0-1000 ppm | ± 1 ppm | ± 5 ppm |
| Oxygen (O ₂) | 0-25 % VOL | ± 0.1 % VOL | ± 1 % VOL |

| Dimensions | | | | | |
|------------|-------|-------|--------|-------|-------|
| A | B | C | a | b | c |
| 161 mm | 65 mm | 40 mm | 115 mm | 24 mm | 24 mm |

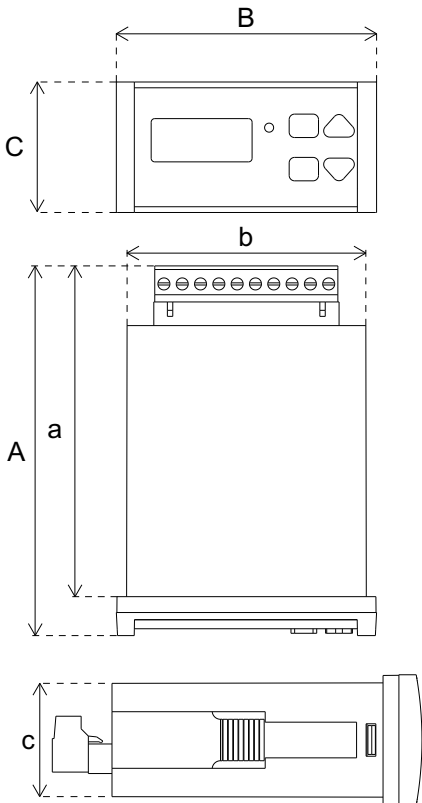


TR-711 // PANEL TYPE TEMPERATURE CONTROL DEVICE

- Accurate and Precise Measuring
- 1 Relay Output
- Durable and Handy Design
- Long Operating Life
- Panel Type Mounting
- Adjustable Relay Sensitivity



TECHNICAL SPECIFICATIONS



| Product Informations | |
|----------------------|--|
| Product Name | TR-711 Panel Type Temperature Control Device |
| Input | 220 V AC |
| Output | Relay (2A) |

| Sensor | Measuring Range | Sensitivity | Accuracy |
|-------------|-----------------|-------------|----------|
| Temperature | (-40) - (+80)°C | ± 0,1 °C | ± 0,5 °C |

| Boyutlar / Dimensions | | | | | |
|-----------------------|-------|-------|-------|---------|----------|
| A | B | C | a | b | c |
| 103 mm | 72 mm | 36 mm | 93 mm | 66,5 mm | 31,75 mm |

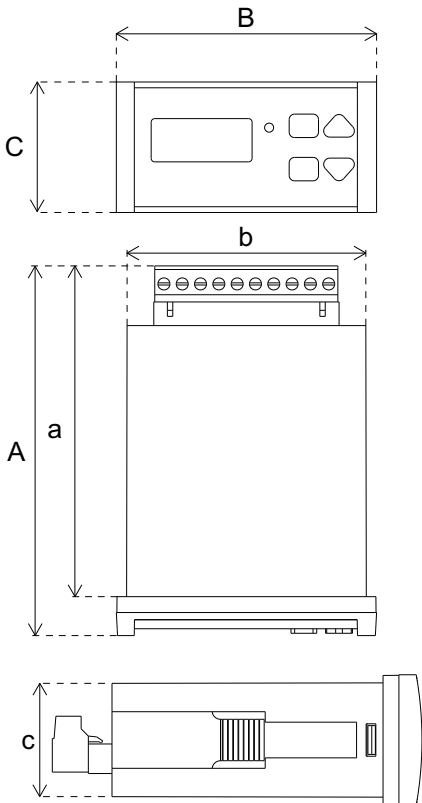


NR-711 // PANEL TYPE HUMIDITY CONTROL DEVICE

- Accurate and Precise Measuring
- 1 Relay Output
- Durable and Handy Design
- Long Operating Life
- Cleanable Filter
- Panel Type Mounting
- Adjustable Relay Sensitivity



TECHNICAL SPECIFICATIONS



| Product Informations | |
|----------------------|---|
| Product Name | NR-711 Panel Type Humidity Control Device |
| Input | 220 V AC |
| Output | Relay (2A) |

| Sensor | Measuring Range | Sensitivity | Accuracy |
|----------|-----------------|-------------|----------|
| Humidity | 0 - 100 % | ± % 1 | ± % 3 |

| Boyutlar / Dimensions | | | | | |
|-----------------------|-------|-------|-------|---------|----------|
| A | B | C | a | b | c |
| 103 mm | 72 mm | 36 mm | 93 mm | 66,5 mm | 31,75 mm |

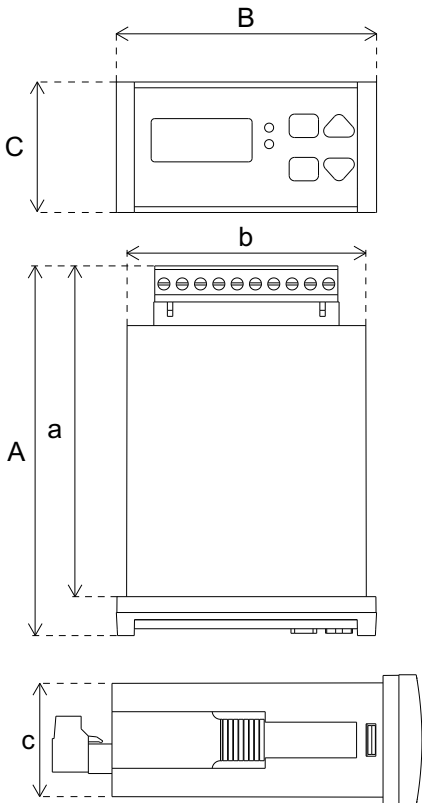


SR-711 // PANEL TYPE TEMPERATURE & HUMIDITY CONTROL DEVICE

- Accurate and Precise Measuring
- 2 Relay Outputs
- Durable and Handy Design
- Long Operating Life
- Cleanable Filter
- Panel Type Mounting
- Adjustable Relay Sensitivity



TECHNICAL SPECIFICATIONS



| Product Informations | |
|----------------------|---|
| Product Name | SR-711 Panel Type Temperature & Humidity Control Device |
| Input | 220 V AC |
| Output | Relay (2A) |

| Sensor | Measuring Range | Sensitivity | Accuracy |
|-------------|-----------------|-------------|----------|
| Temperature | (-20) - (+60)°C | ± 0,1 °C | ± 0,3 °C |
| Humidity | 0 - 100 % | ± % 1 | ± % 3 |

| Boyutlar / Dimensions | | | | | |
|-----------------------|-------|-------|-------|---------|----------|
| A | B | C | a | b | c |
| 103 mm | 72 mm | 36 mm | 93 mm | 66,5 mm | 31,75 mm |

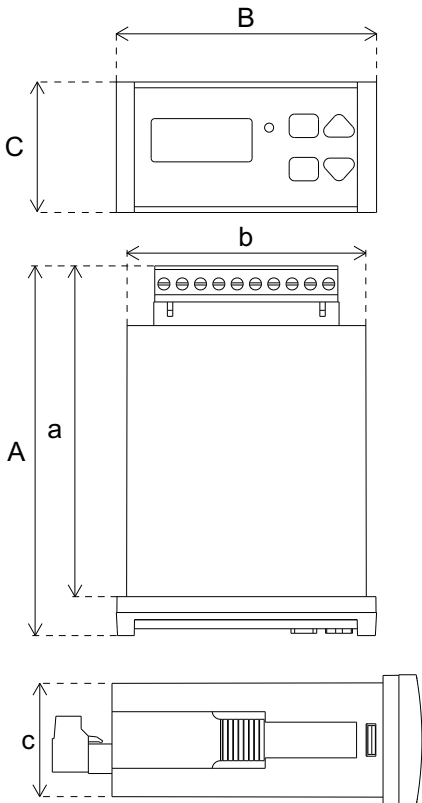


KR-711 // PANEL TYPE CARBON DIOXIDE (CO₂) CONTROL DEVICE

- Accurate and Precise Measuring
- 1 Relay Output
- Durable and Handy Design
- Long Operating Life
- Cleanable Filter
- Panel Type Mounting
- Adjustable Relay Sensitivity



TECHNICAL SPECIFICATIONS



| Product Informations | |
|----------------------|--|
| Product Name | KR-711 Panel Type Carbon Dioxide (CO ₂) Control Device |
| Input | 220 V AC |
| Output | Relay (2A) |

| Sensor | Measuring Range | Sensitivity | Accuracy |
|-----------------------------------|---------------------------------|-------------|--------------|
| Carbon Dioxide (CO ₂) | 0 - 5.000 ppm 0 - 10.000 ppm | ± 10 ppm | ± 50 ppm+%/2 |

| Boyutlar / Dimensions | | | | | |
|-----------------------|-------|-------|-------|---------|----------|
| A | B | C | a | b | c |
| 103 mm | 72 mm | 36 mm | 93 mm | 66,5 mm | 31,75 mm |

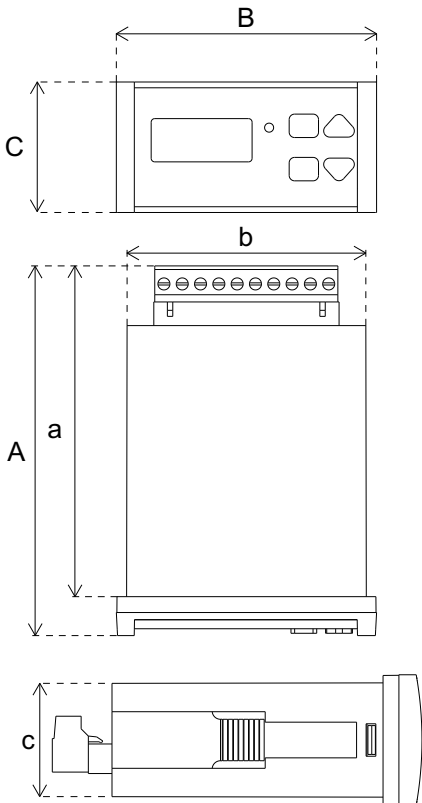


AR/ER/CR/OR-711 // PANEL TYPE GAS CONTROL DEVICES

- Accurate and Precise Measuring
- 1 Relay Output
- Durable and Handy Design
- 2 Years Sensor Operating Life
- Easy Replaceable Sensor
- Panel Type Mounting
- Adjustable Relay Sensitivity



TECHNICAL SPECIFICATIONS



| Product Informations | |
|----------------------|--|
| Product Name | AR/ER/CR/OR-711 Panel Type Gas Control Devices |
| Input | 220 V AC |
| Output | Relay (2A) |

| Sensor | Measuring Range | Sensitivity | Accuracy |
|---|----------------------|-------------|-----------|
| Ammonia (NH ₃) | 0-100 ppm | ± 1 ppm | ± 2 ppm |
| Ethylene (C ₂ H ₄) | 0-10 ppm / 0-100 ppm | ± 0,1 ppm | ± 1 ppm |
| Carbon Monoxide (CO) | 0-1000 ppm | ± 1 ppm | ± 5 ppm |
| Oxygen (O ₂) | 0-25 % VOL | ± 0.1 % VOL | ± 1 % VOL |

| Boyutlar / Dimensions | | | | | |
|-----------------------|-------|-------|-------|---------|----------|
| A | B | C | a | b | c |
| 103 mm | 72 mm | 36 mm | 93 mm | 66,5 mm | 31,75 mm |



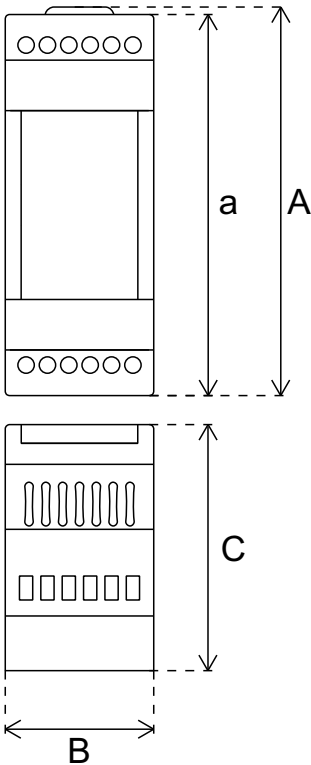


MK-261 // MODBUS PROTECTION CARD

- Durable and Handy Design
- Long Operating Life
- Easy Assembling
- Rail Type Case
- 2 Modbus Connections



TECHNICAL SPECIFICATIONS



| Product Informations | |
|----------------------|-------------------------------|
| Product Name | MK-261 Modbus Protection Card |
| Modbus Input | A1 / B1 / A2 / B2 |
| Modbus Output | A1 / B1 / A2 / B2 |

| Product Code | Output Signal |
|--------------|---------------|
| MK-261 | Modbus RTU |

| Dimensions | | | |
|------------|-------|-------|-------|
| A | B | C | a |
| 93 mm | 35 mm | 59 mm | 90 mm |



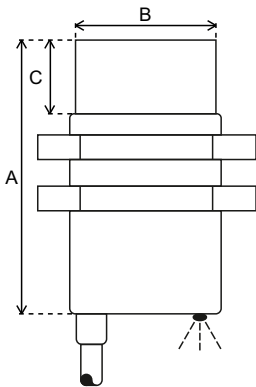
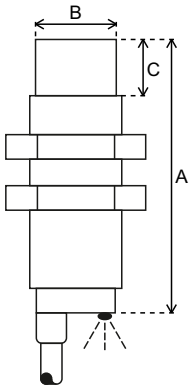
YS-111 / YS-112 // CAPACITIVE SENSOR

- Long Operating Life
- Durable and Handy Design
- Easy Assembling
- Adjustable Sensitivity
- High Corrosion Resistance
- Sensor Status Led



* Sensor cable length: 195 cm

TECHNICAL SPECIFICATIONS



| Product Informations | |
|----------------------|-------------------------------------|
| Product Name | YS-111 / YS-112 - Capacitive Sensor |
| Input | 100 - 240 V AC |
| Output | NC |
| Connection | AC2-wire |
| Material | Brass (Nickel Plated) |

| Dimensions | | | |
|------------|-------|-----|-------|
| YS-111 | A | B | C |
| | 55 mm | M18 | 8 mm |
| YS-112 | A | B | C |
| | 55 mm | M30 | 15 mm |

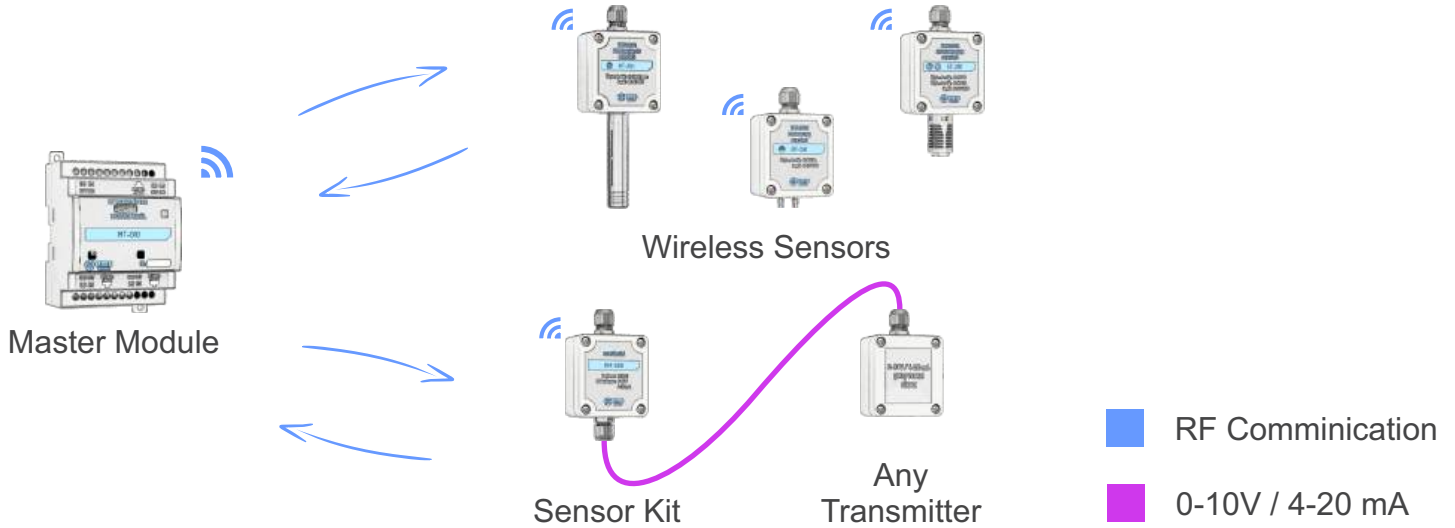


WIRELESS SENSOR GROUP

WHAT IS IT?

Up to 3 wireless sensors can be connected to the mas module and 0-10V / 4-20 mA output can be obtained for each sensor. You can choose a wireless sensor as you wish or you can communicate any transmitter with the master module wirelessly with the sensor kit.

HOW THE SYSTEM WORKS?



The master module and wireless sensors are identified to each other. The sensor transmits the measured data to the master module via **RF** communication. The master module converts the data into output signals in the standards (0-10 V, 4-20 mA) to be used. Our wireless sensor group includes humidity, temperature and humidity, carbon dioxide, differential pressure and gas sensors. Devices can communicate with each other up to 250 meters away in open areas.



MT-010 // RF TRANSMITTER MASTER MODULE

| Product Informations | |
|----------------------|------------------|
| Power | 12-24 V DC |
| Input | |
| Output | 0-10 V / 4-20 mA |



KM-390 // SENSOR KIT

| Product Informations | |
|----------------------|------------------------------------|
| Power | 12-24 V DC |
| Input | 0-10 V / 4-20 mA |
| Output | 433 Mhz RF Wiireless Communication |



WIRELESS SENSOR GROUP

ST / NT-391 // WIRELESS TEMPERATURE & HUMIDITY / HUMIDITY SENSORS



| Sensor | Measuring Range | Sensitivity | Accuracy |
|-------------|-----------------------------------|-------------|----------|
| Temperature | 0 - 50°C / (-20) - (+80)°C | ± 0,1 °C | ± 0,3 °C |
| Humidity | 0 - 100 % | ± % 1 | ± % 3 |
| Output | 433 Mhz RF Wireless Communication | | |

KT-391 // WIRELESS CARBON DIOXIDE SENSOR



| Sensor | Measuring Range | Sensitivity | Accuracy |
|-----------------------------------|------------------------------------|-------------|-------------|
| Carbon Dioxide (CO ₂) | 0 - 5.000 ppm 0 - 10.000 ppm | ± 10 ppm | ± 50 ppm+%2 |
| Output | 4433 Mhz RF Wireless Communication | | |

BT-391 // WIRELESS DIFFERENTIAL PRESSURE SENSOR



| Sensor | Measuring Range | Sensitivity | Accuracy |
|----------|---|-------------|----------|
| Pressure | 0-100 Pa / 0-125 Pa (-125) - (+125) Pa (-500) - (+500) Pa | ± 1 Pa | ± %3 |
| Output | 433 Mhz RF Wireless Communication | | |

AT / ET / CT / OT-391 // WIRELESS GAS SENSORS



| Sensor | Measuring Range | Sensitivity | Accuracy |
|---|-----------------------------------|-------------|-----------|
| Ammonia (NH ₃) | 0-100 ppm | ± 1 ppm | ± 2 ppm |
| Ethylene (C ₂ H ₄) | 0-10 ppm / 0-100 ppm | ± 0,1 ppm | ± 1 ppm |
| Carbon Monoxide (CO) | 0-1000 ppm | ± 1 ppm | ± 5 ppm |
| Oxygen (O ₂) | 0-25 % VOL | ± 0.1 % VOL | ± 1 % VOL |
| Output | 433 Mhz RF Wireless Communication | | |





SPARE PARTS & ACCESSORIES



AE-321// STAINLESS SENSOR MODULE

Dust Protection

Stainless Material

Shielded Cable 1-10m



AE-322 // STAINLESS DUCT TYOE PROBE

Stainless Material

Probe Diameter 15 mm, Length 195 mm

Shielded Cable 1-10m



AE-323 // STAINLESS SCREW TYPE PROBE

Stainless Material

Probe Diameter 15 mm, Length 195 mm

Shielded Cable 1-10m



AE-331// PLASTIC SENSOR MODULE

Dust Protection

Plastic Material

Shielded Cable 1-10m



AE-332// PLASTIC SENSOR WALL MODULE

Dust Protection

Plastic Material

Shielded Cable 1-10m



AE-333// P. SENSOR CHANNEL MODULE

Dust Protection

Plastic Material

Shielded Cable 1-10m





SPARE PARTS & ACCESSORIES



AE-341// CO₂ SENSOR WALL MODULE

Dust Protection

Plastic Material

Shielded Cable 1-10m



AE-342// CO₂ SENSOR CHANNEL MODULE

Dust Protection

Plastic Material

Shielded Cable 1-10m



AE-351// CO₂ SENSOR WALL MODULE

Dust Protection

Plastic Material

Shielded Cable 1-10m



AE-501 // IP 67 SOCKET

Dust and Humidity Protection

Shielded Cable

Cable Length 1m



AE-502// CONNECTION TERMINAL

Easy and Fast Assembling

Shielded Cable

Cable Length 30 cm



AE-903// D. PRESSURE PROBE SET

2 Pressure Probes

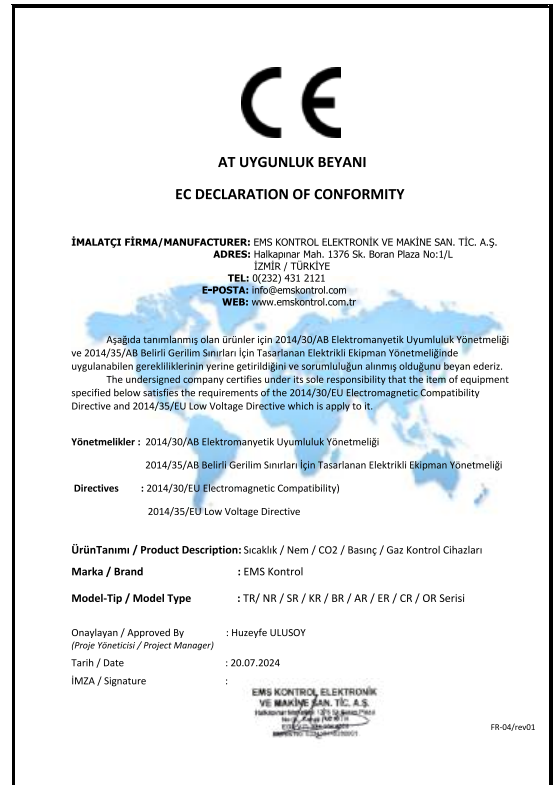
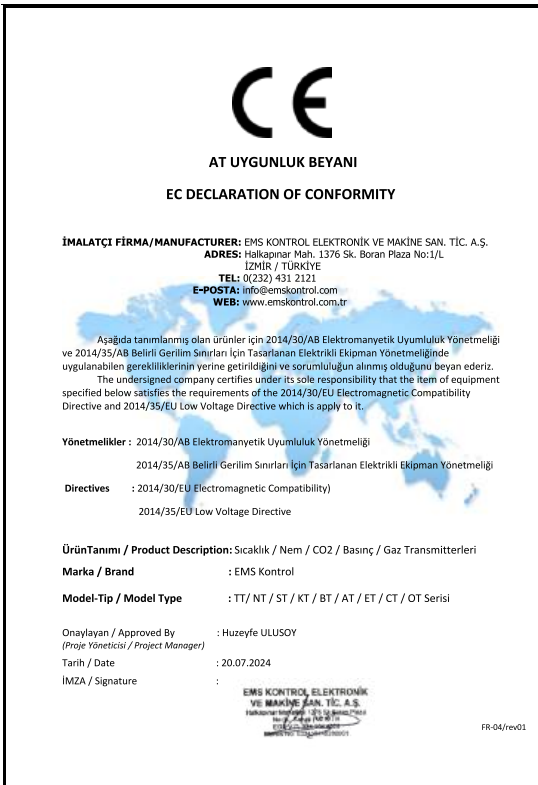
Probe Diameter 6.7mm, Length 98 mm

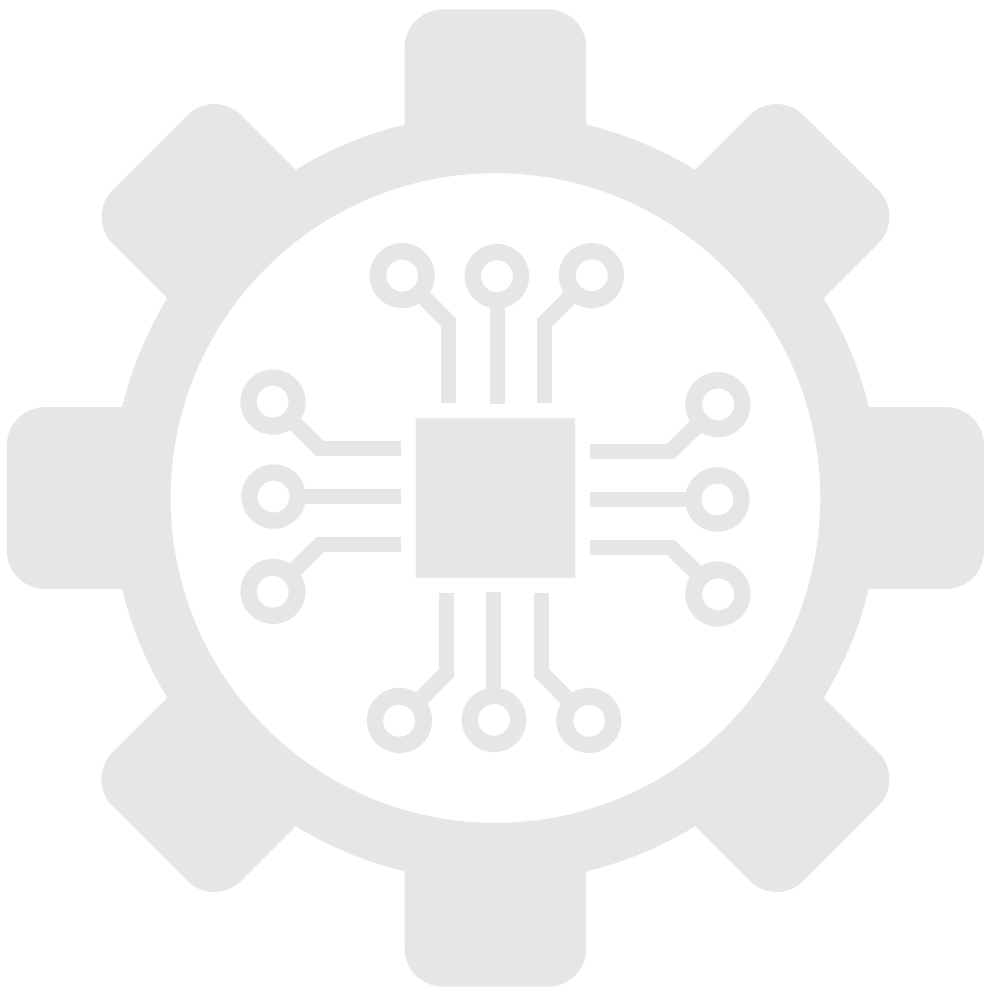
Hose Length 2m





OUR DOCUMENTS





“ACCURATE MEASUREMENT, ACCURATE CONTROL”



INDUSTRIAL SENSOR GROUP

“ACCURATE MEASUREMENT, ACCURATE CONTROL”



EMS KONTROL ELEKTRONİK MAKİNE SANAYİ VE TİCARET A.Ş.



+90 232 431 21 21



info@emskontrol.com



Halkapınar Mah. 1376 Sok. Boran Plaza No:1/L Konak/İZMİR