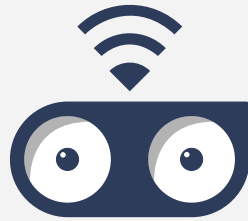


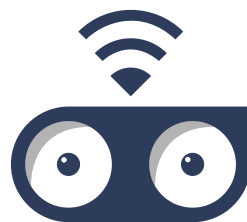
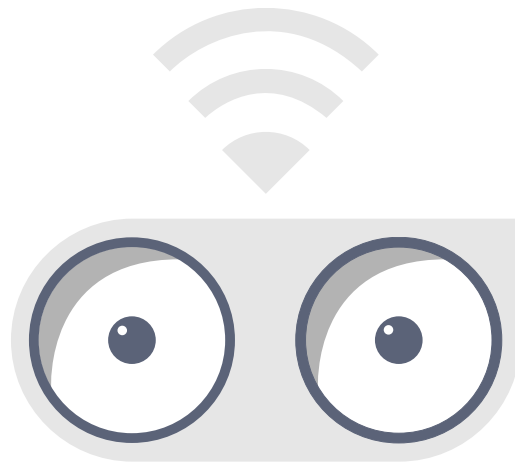
PRODUCT CATALOGUE



OR-TAK

ZONE TRACKING SYSTEM

“YOUR DATA IS UNDER YOUR TRACKING”



**OR-TAK**  
ZONE TRACKING SYSTEM

**"YOUR DATA IS UNDER YOUR TRACKING"**

# INDEX

- OR-TAK Zone Tracking System
- Mobile Application
- M-010 Master Main Module
- M-011 Master Main Module
- TS-031 Temperature Sensor Module - 1 NTC
- TS-033 Temperature Sensor Module - 3 NTC
- SN-031 Temperature & Humidity Sensor Module
- SK-031 Temperature, Humidity & Carbon Dioxide Sensor Module
- SB-031 Differential Pressure Sensor Module
- ST-070 Water Consumption Module
- SS-085 Loadcell Tracking Module
- TS-231 Temperature Wifi Sensor Module - 1 NTC
- TS-238 Temperature Wifi Sensor Module
- SN-231 Temperature & Humidity Wifi Sensor Module
- SK-231 Temperature, Humidity & Carbon Dioxide Wifi Sensor Module
- SB-231 Differential Pressure Wifi Sensor Module

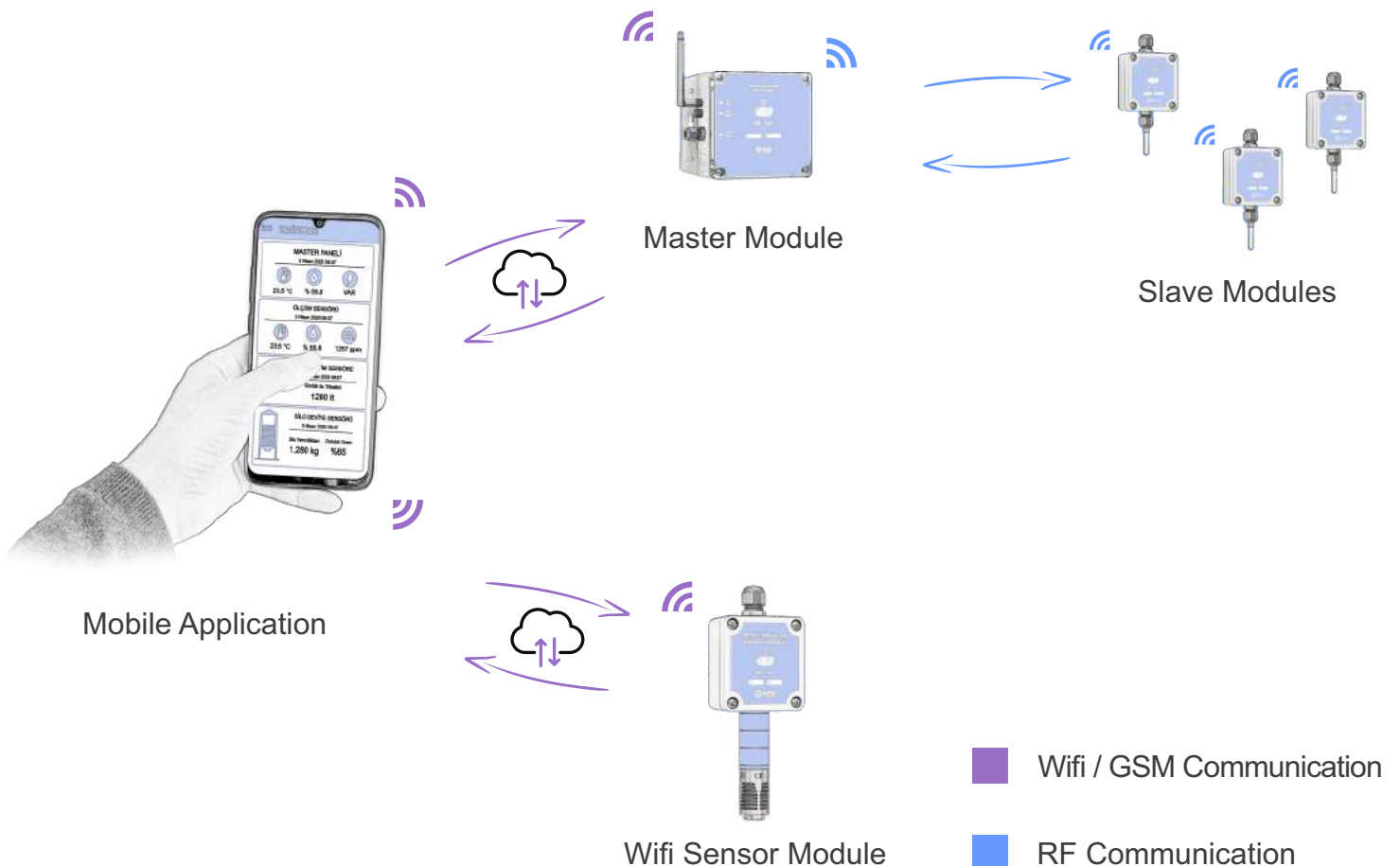


## OR-TAK ZONE TRACKING SYSTEM

### WHAT IS IT?

It is an IOT-based tracking, recording and analysis system that enables monitoring and analysis of any environment ( Production Facility, Warehouse, Living Area etc.) via mobile application. According to user's request, the selected sensors are connected to the designated areas and the user can instantly tracking with their mobile phone.

### HOW THE SYSTEM WORKS?



The measuring slave modules communicate with the master module by sending **Rf** signals. The master module transmits this data to the OR-TAK mobile application using **Wifi** or **Gsm** signals. The user can follow the system instantly from the mobile application panel. In addition, you can find the opportunity to measure in smaller areas with our wifi sensor modules. Our wifi sensor modules transmit the measurements made instantly to the user panel via **Wifi**.

## WHAT ARE THE SENSOR TYPES?

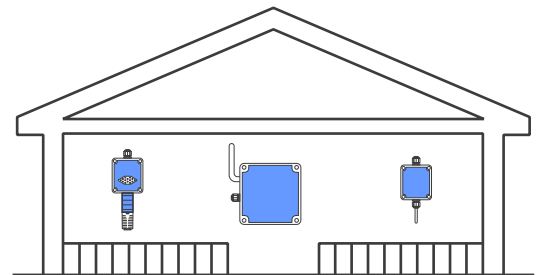
Temperature, Temperature & Humidity, Temperature, Humidity & Carbon Dioxide, Differential Pressure, Water Consumption and Loadcell Tracking Sensors are available in our OR-TAK Zone Tracking System. User can add 10 of these sensors into the system. It is possible to communicate with our Master modules and RF modules up to 500 meters in open space.

### SCENARIO 1 - COOP

M-010 Master Main Module

TS-031 Temperature Sensor Module - 1 NTC

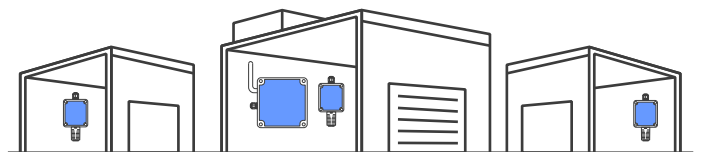
SK-031 Temperature, Humidity & (CO<sub>2</sub>) Sensor Module



### SCENARIO 2 - FRUIT DEPOT

M-010 Master Main Module

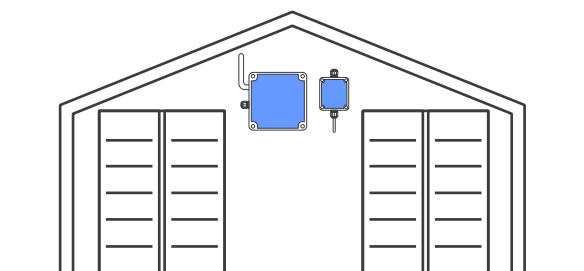
SN-031 Temperature & Humidity Sensor Module x 3



### SCENARIO 3 - SUPERMARKET

M-010 Master Main Module

TS-031 Temperature Sensor Module - 1 NTC





## **OR-TAK MOBILE APPLICATION**

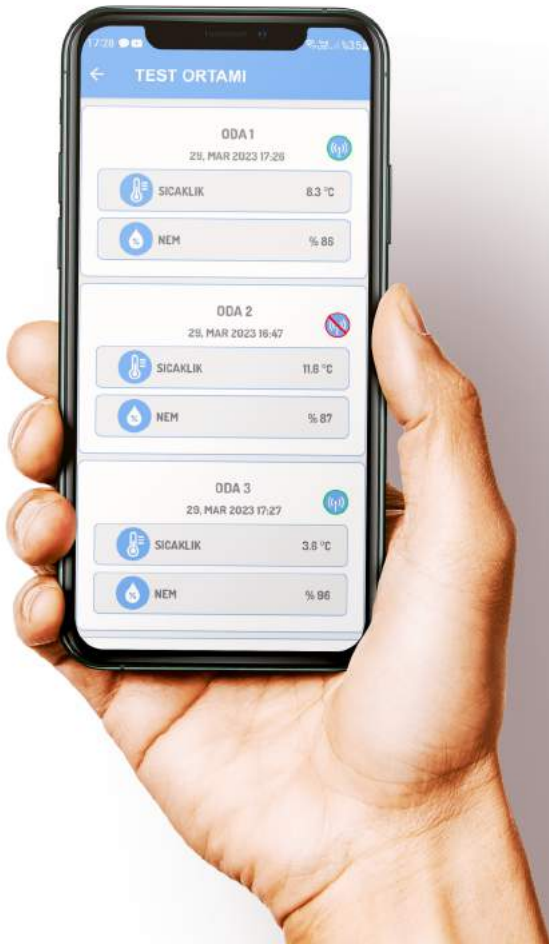
INSTANT TRACKING VIA MOBILE APPLICATION

USER SPECIFIC DESIGN WITH MODULAR STRUCTURE

PAST DATA TRACKING WITH DATALOGGER FEATURE

NOTIFICATION WARNING SYSTEM

EASY ANALYSIS WITH GRAPHICAL DISPLAY



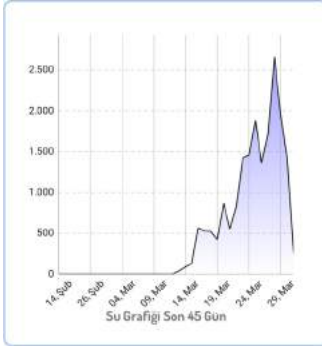
You can download IOS and ANDROID versions of our mobile application for free on Google Play, AppGallery and App Store.

You can call us or send an e-mail to get more detailed information.



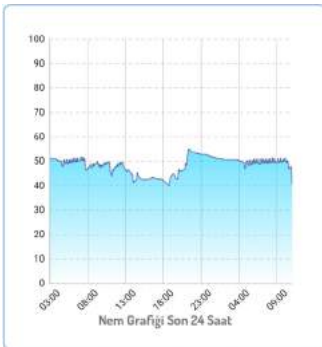
## USER INTERFACE

System monitoring is done via our free mobile application. Multiple user definitions can be made to the app. A separate panel opens for each user. Your panel is categorized according to the area and usage purposes you specify. For each category there is a sign showing the wifi, gsm connection and the activity or passivity status of the connection.



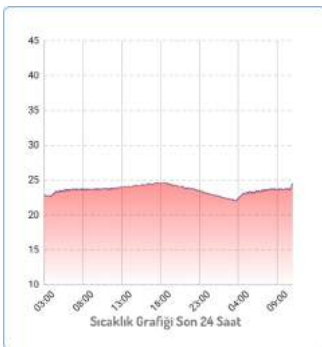
### INSTANT TRACKING

The user can follow the system instantly through the mobile application. Sensor record measurement values in 4-minute periods.



### 24-HOUR CHART

For detailed tracking, the measured data of the last 24 hours is displayed in graphic form and provides easy tracking and analysis for the user.



### DETAILED REPORT

Detailed reports and graphics for the sensors can be accessed from the reports menu. All measurement data in selected range can be accessed by selecting the date range and sensor name.



## M-010 // MASTER MAIN MODULE

Easy Installation

WIFI / GSM Communication

RF Communication

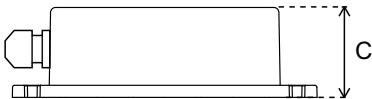
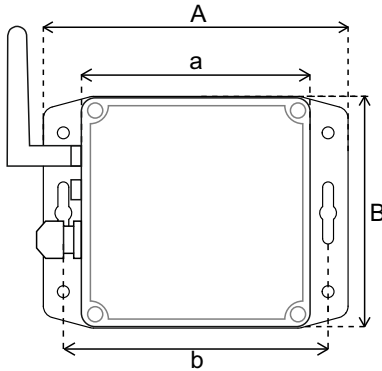
Long Communication Range

IP 67 Plastic Case

Temperature & Humidity Sensor (Optional)



### TECHNICAL SPECIFICATIONS



#### Product Informations

Product Name	M-010 Master Main Module
Input	12 V DC
Communication	433 Mhz RF Wireless Communication Wifi 2.4 Ghz GSM M2M 2G

Sensor	Measuring Range	Sensitivity	Accuracy
Temperature	0 - 50°C / (-20) - (+80)°C	± 0,1 °C	± 0,3 °C
Humidity	0 - 100 %	± % 1	± % 3

#### Dimensions

A	B	C	a	b
160 mm	120 mm	66 mm	120 mm	138 mm





# M-011 // MASTER MAIN MODULE

Easy Installation

WIFI / GSM Communication

RF Communication

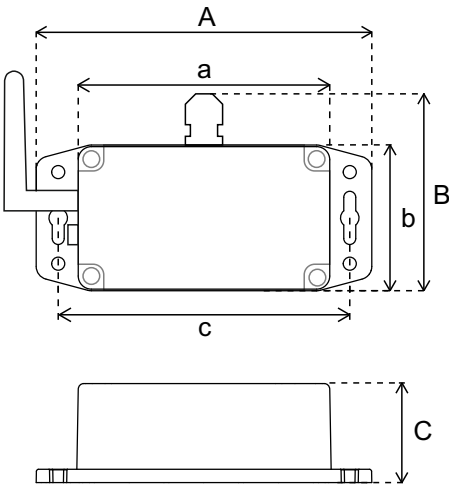
Long Communication Range

IP 67 Plastic Case

Temperature & Humidity Sensor (Optional)



## TECHNICAL SPECIFICATIONS



Product Informations	
Product Name	M-011 Master Main Module
Input	12 V DC
Communication	433 Mhz RF Wireless Communication Wifi 2.4 Ghz GSM M2M 2G

Sensor	Measuring Range	Sensitivity	Accuracy
Temperature	0 - 50°C / (-20) - (+80)°C	± 0,1 °C	± 0,3 °C
Humidity	0 - 100 %	± % 1	± % 3

Dimensions					
A	B	C	a	b	c
152 mm	87 mm	60 mm	115 mm	65 mm	133 mm



## TS-031 // TEMPERATURE SENSOR MODULE - 1 NTC

Accurate and Precise Measuring

RF Communication

Long Operating Life

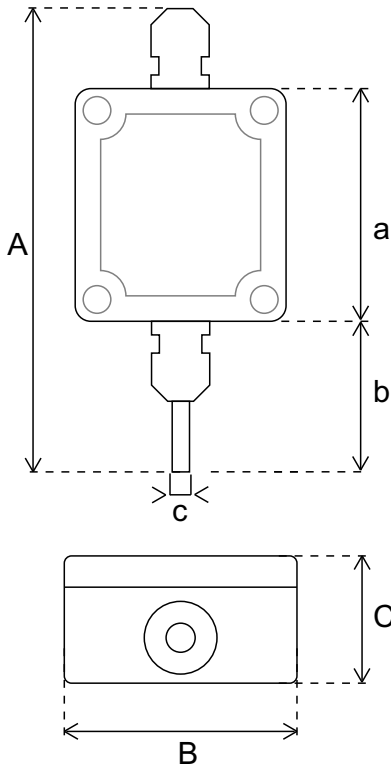
Easy Assembling

IP 67 Plastic Case



Sensor cable length can be changed (0-10m) according to demand  
Metal probe length can be selected as 50mm or 100mm.

### TECHNICAL SPECIFICATIONS



Product Informations	
Product Name	TS-031 Temperature Sensor Module - 1 NTC
Input	12 V DC
Communication	433 Mhz RF Wireless Communication

Sensor	Measuring Range	Sensitivity	Accuracy
Temperature	0 - 50°C / (-20) - (+80)°C	± 0,1 °C	± 0,5 °C

Dimensions					
A	B	C	a	b	c
135 mm	58 mm	35 mm	64 mm	50 mm	6 mm



# TS-033 // TEMPERATURE SENSOR MODULE - 3 NTC

Accurate and Precise Measuring

RF Communication

Long Operating Life

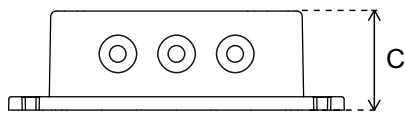
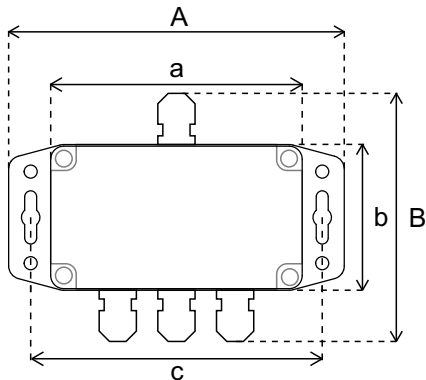
Easy Assembling

IP 67 Plastic Case



Sensor cable length can be changed (0-10m) according to demand  
Metal probe length can be selected as 50mm or 100mm.

## TECHNICAL SPECIFICATIONS



Product Informations	
Product Name	TS-033 Temperature Sensor Module - 3 NTC
Input	12 V DC
Communication	433 Mhz RF Wireless Communication

Sensor	Measuring Range	Sensitivity	Accuracy
Temperature	0 - 50°C / (-20) - (+80)°C	± 0,1 °C	± 0,5 °C

Dimensions					
A	B	C	a	b	c
152 mm	109 mm	60 mm	115 mm	65 mm	133 mm



## SN-031 // TEMPERATURE & HUMIDITY SENSOR MODULE

Accurate and Precise Measuring

RF Communication

Long Operating Life

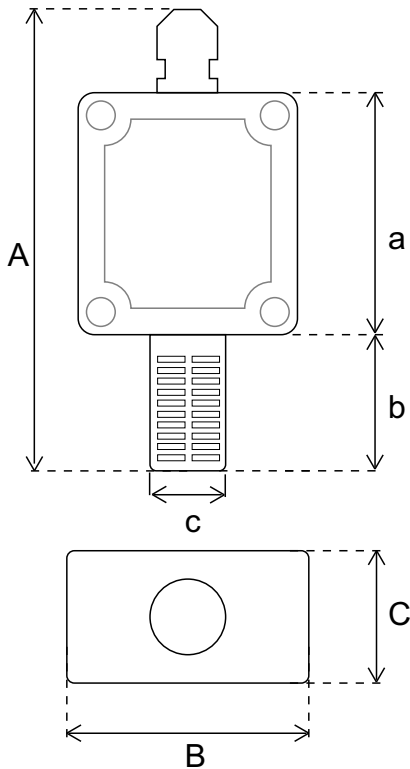
Cleanable Filter

Easy Assembling

IP 67 Plastic Case ( Not Including Sensor)



### TECHNICAL SPECIFICATIONS



Product Informations	
Product Name	SN-031 Temperature Humidity Sensor Module
Input	12 V DC
Communication	433 Mhz RF Wireless Communication

Sensor	Measuring Range	Sensitivity	Accuracy
Temperature	0 - 50°C / (-20) - (+80)°C	± 0,1 °C	± 0,3 °C
Humidity	0 - 100 %	± % 1	± % 3

Dimensions					
A	B	C	a	b	c
122 mm	58 mm	35 mm	64 mm	36 mm	20 mm



# SK-031 // TEMPERATURE, HUMIDITY & CO<sub>2</sub> SENSOR MODULE

Accurate and Precise Measuring

RF Communication

Durable and Handy Design

Long Operating Life

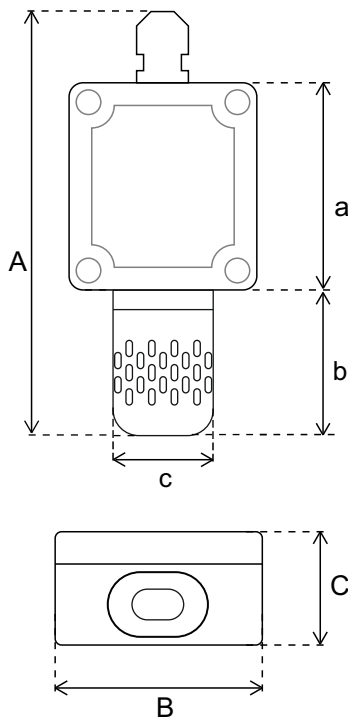
Cleanable Filter

Easy Assembling

IP 67 Plastic Case ( Not Including Sensor)



## TECHNICAL SPECIFICATIONS



Product Informations	
Product Name	SK-031 Temperature, Humidity & CO <sub>2</sub> Sensor Module
Input	12 V DC
Communication	433 Mhz RF Wireless Communication

Sensor	Measuring Range	Sensitivity	Accuracy
Temperature	0 - 50°C / (-20) - (+80)°C	± 0,1 °C	± 0,3 °C
Humidity	0 - 100 %	± % 1	± % 3
Carbon Dioxide	0-5.000 ppm / 0-10.000 ppm	± 10 ppm	± 50 ppm

Dimensions					
A	B	C	a	b	c
131 mm	58 mm	35 mm	64 mm	45 mm	31 mm



## SB-031 // DIFFERENTIAL PRESSURE SENSOR MODULE

Accurate and Precise Measuring

RF Communication

Long Operating Life

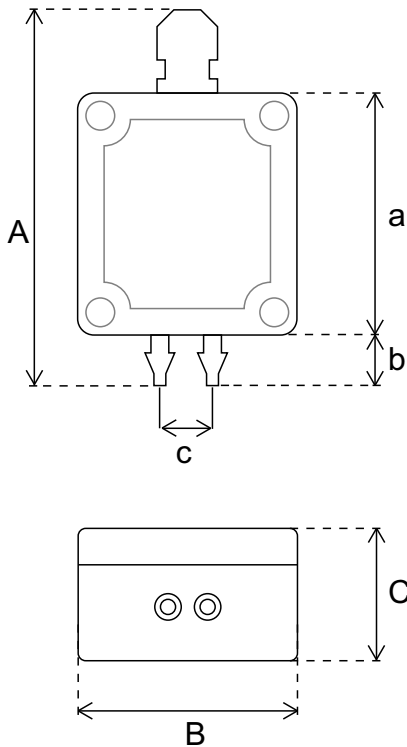
Cleanable Filter

Easy Assembling

IP 67 Plastic Case ( Not Including Sensor)



### TECHNICAL SPECIFICATIONS



Product Informations	
Product Name	SB-031 Differential Pressure Sensor Module
Input	12 V DC
Communication	433 Mhz RF Wireless Communication

Sensor	Measuring Range	Sensitivity	Accuracy
Pressure	0-100 Pa , 0-125 PA (-125)+( +125) PA (-500)+( +500) PA	± % 1	± % 3

Dimensions					
A	B	C	a	b	c
96 mm	58 mm	35 mm	64 mm	10 mm	12 mm



# ST-070 // WATER CONSUMPTION MODULE

Accurate and Precise Measuring

RF Communication

Daily Water Consumption

Long Operating Life

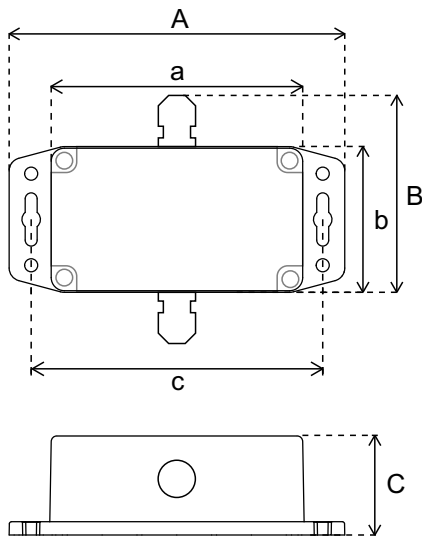
Easy Assembling

IP 67 Plastic Case



*It is the module that transfers the data from pulse output water meter to themobile application.*

## TECHNICAL SPECIFICATIONS



Product Informations	
Product Name	ST-070 Water Consumption Module
Input	12 V DC
Communication	433 Mhz RF Wireless Communication

Device	Pulse Output
Water Meter	1-10 Pulse

Dimensions					
A	B	C	a	b	c
152 mm	109 mm	60 mm	115 mm	65 mm	133 mm



## SS-085 // LOADCELL TRACKING MODULE

Accurate and Precise Measuring

RF Communication

Low Energy Consumption

Long Operating Life

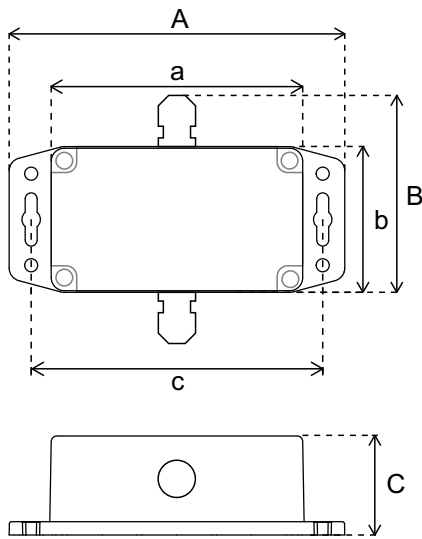
Easy Assembling

IP 67 Plastic Case



*It is the module that transfers the data from RS 232 communication output loadcell to the mobile application.*

### TECHNICAL SPECIFICATIONS



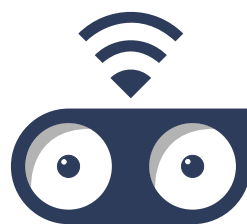
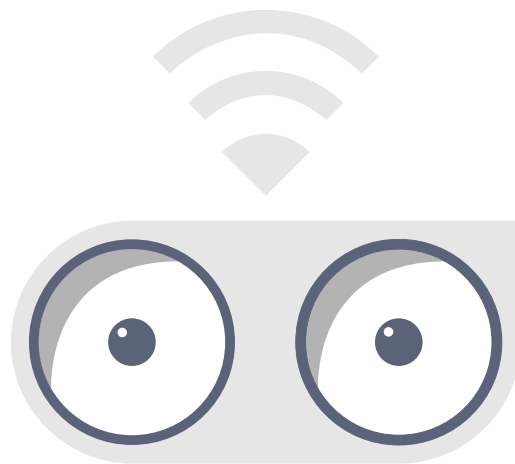
Product Informations	
Product Name	SS-085 Loadcell Tracking Module
Input	12 V DC
Communication	433 Mhz RF Wireless Communication

Device	Communication
Loadcell	RS 232

Dimensions					
A	B	C	a	b	c
152 mm	109 mm	60 mm	115 mm	65 mm	133 mm







**OR-TAK**  
ZONE TRACKING SYSTEM

**“YOUR DATA IS UNDER YOUR TRACKING”**



## TS-231 // TEMPERATURE WIFI SENSOR MODULE - 1 NTC

Accurate and Precise Measuring

Wifi Communication

Long Operating Life

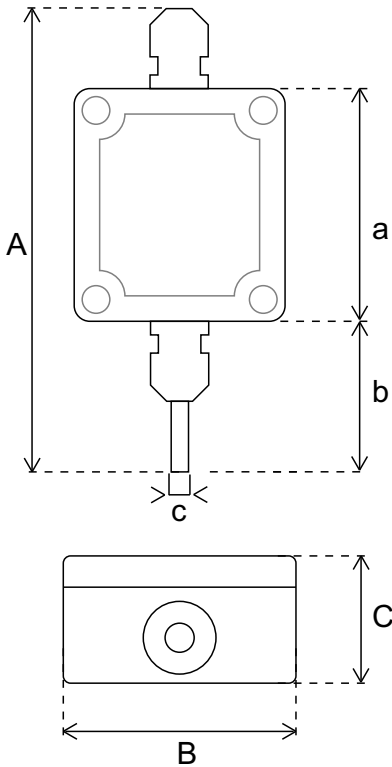
Easy Assembling

IP 67 Plastic Case



Sensor cable length can be changed (0-10m) according to demand  
Metal probe length can be selected as 50mm or 100mm.

### TECHNICAL SPECIFICATIONS



Product Informations	
Product Name	TS-231 Temperature Wifi Sensor Module - 1 NTC
Input	12 V DC
Communication	Wifi 2.4 GHz

Sensor	Measuring Range	Sensitivity	Accuracy
Temperature	0 - 50°C / (-20) - (+80)°C	± 0,1 °C	± 0,5 °C

Dimensions					
A	B	C	a	b	c
135 mm	58 mm	35 mm	64 mm	50 mm	6 mm



# TS-238 // TEMPERATURE WIFI SENSOR MODULE

Accurate and Precise Measuring

Wifi Communication

Long Operating Life

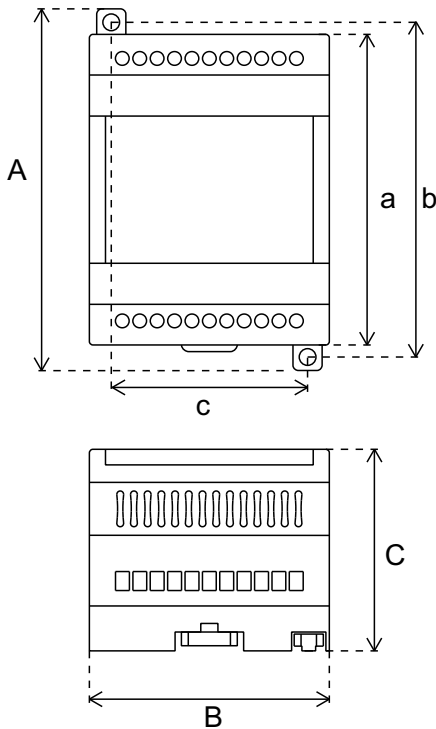
Rail Type Case

Easy Assembling

8 Sensor Inputs



## TECHNICAL SPECIFICATIONS



Product Informations	
Product Name	TS-238 Temperature Wifi Sensor Module
Input	12 V DC
Communication	Wifi 2.4 GHz

Sensor	Measuring Range	Sensitivity	Accuracy
Temperature	0 - 50°C / (-20) - (+80)°C	± 0,1 °C	± 0,5 °C

Dimensions					
A	B	C	a	b	c
105 mm	70 mm	59 mm	90 mm	98 mm	57 mm



## SN-231 // TEMPERATURE & HUMIDITY WIFI SENSOR MODULE

Accurate and Precise Measuring

Wifi Communication

Long Operating Life

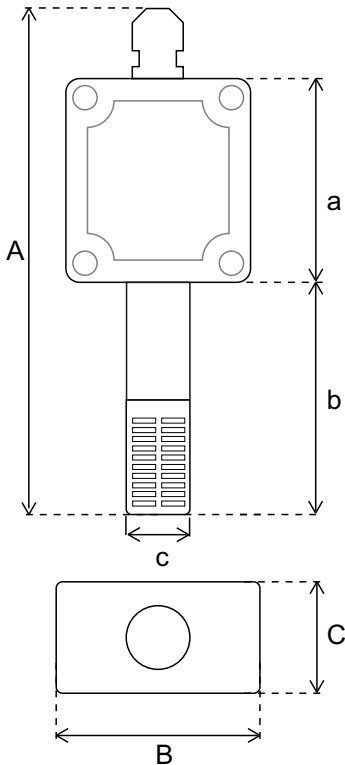
Cleanable Filter

Easy Assembling

IP 67 Plastic Case ( Not Including Sensor)



### TECHNICAL SPECIFICATIONS



Product Informations	
Product Name	SN-231 Temperature & Humidity Wifi Sensor Module
Input	12 V DC
Communication	Wifi 2.4 GHz

Sensor	Measuring Range	Sensitivity	Accuracy
Temperature	0 - 50°C / (-20) - (+80)°C	± 0,1 °C	± 0,3 °C
Humidity	0 - 100 %	± % 1	± % 3

Dimensions					
A	B	C	a	b	c
164 mm	58 mm	35 mm	64 mm	78 mm	20 mm



# SK-231 // TEMPERATURE, HUMIDITY & CO<sub>2</sub> WIFI SENSOR MODULE

Accurate and Precise Measuring

Wifi Communication

Durable and Handy Design

Long Operating Life

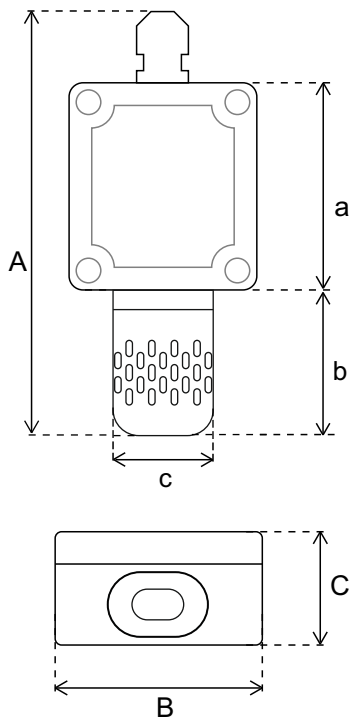
Cleanable Filter

Easy Assembling

IP 67 Plastic Case ( Not Including Sensor)



## TECHNICAL SPECIFICATIONS



Product Informations	
Product Name	SK-231 Temperature, Humidity & CO <sub>2</sub> Wifi Sensor Module
Input	12 V DC
Communication	Wifi 2.4 GHz

Sensor	Measuring Range	Sensitivity	Accuracy
Temperature	0 - 50°C / (-20) - (+80)°C	± 0,1 °C	± 0,3 °C
Humidity	0 - 100 %	± % 1	± % 3
Carbon Dioxide	0-5.000 ppm / 0-10.000 ppm	± 10 ppm	± 50 ppm

Dimensions					
A	B	C	a	b	c
131 mm	58 mm	35 mm	64 mm	45 mm	31 mm



## SB-231 // DIFFERENTIAL PRESSURE WIFI SENSOR MODULE

Accurate and Precise Measuring

Wifi Communication

Long Operating Life

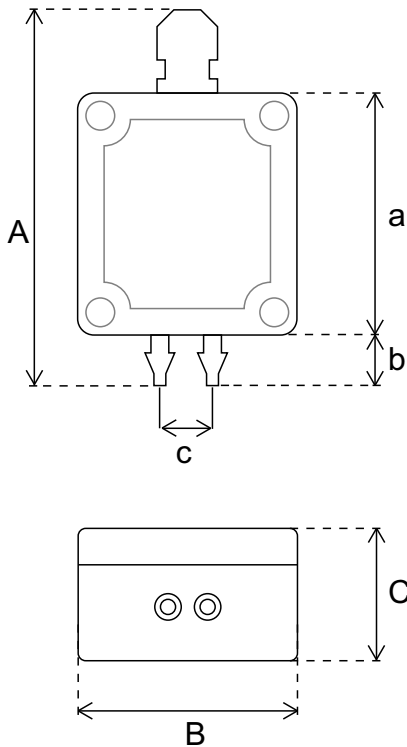
Cleanable Filter

Easy Assembling

IP 67 Plastic Case ( Not Including Sensor)



### TECHNICAL SPECIFICATIONS



Product Informations	
Product Name	SB-231 Differential Pressure Wifi Sensor Module
Input	12 V DC
Communication	Wifi 2.4 GHz

Sensor	Measuring Range	Sensitivity	Accuracy
Pressure	0-100 Pa , 0-125 PA (-125)+( +125) PA (-500)+( +500) PA	± % 1	± % 3

Dimensions					
A	B	C	a	b	c
96 mm	58 mm	35 mm	64 mm	10 mm	12 mm



# SPECIAL PROJECT DESIGN

- Slave and Master Module Design for Projects
- Sensor Model or Number of Sensors Revisions
- Special Application or Program Design for Projects
- Structural Revisions
- Software Revisions
- Sensor Revisions
- Reporting Interface Revisions
- Notification System Revisions



# OR-TAK

## ZONE TRACKING SYSTEM

“YOUR DATA IS UNDER YOUR TRACKING”

+90 232 431 21 21 & 0535 666 07 42

info@emskontrol.com

www.emskontrol.com

Halkapınar Mahallesi 1376 Sokak  
Boran Plaza No:1/L Konak /İZMİR

