

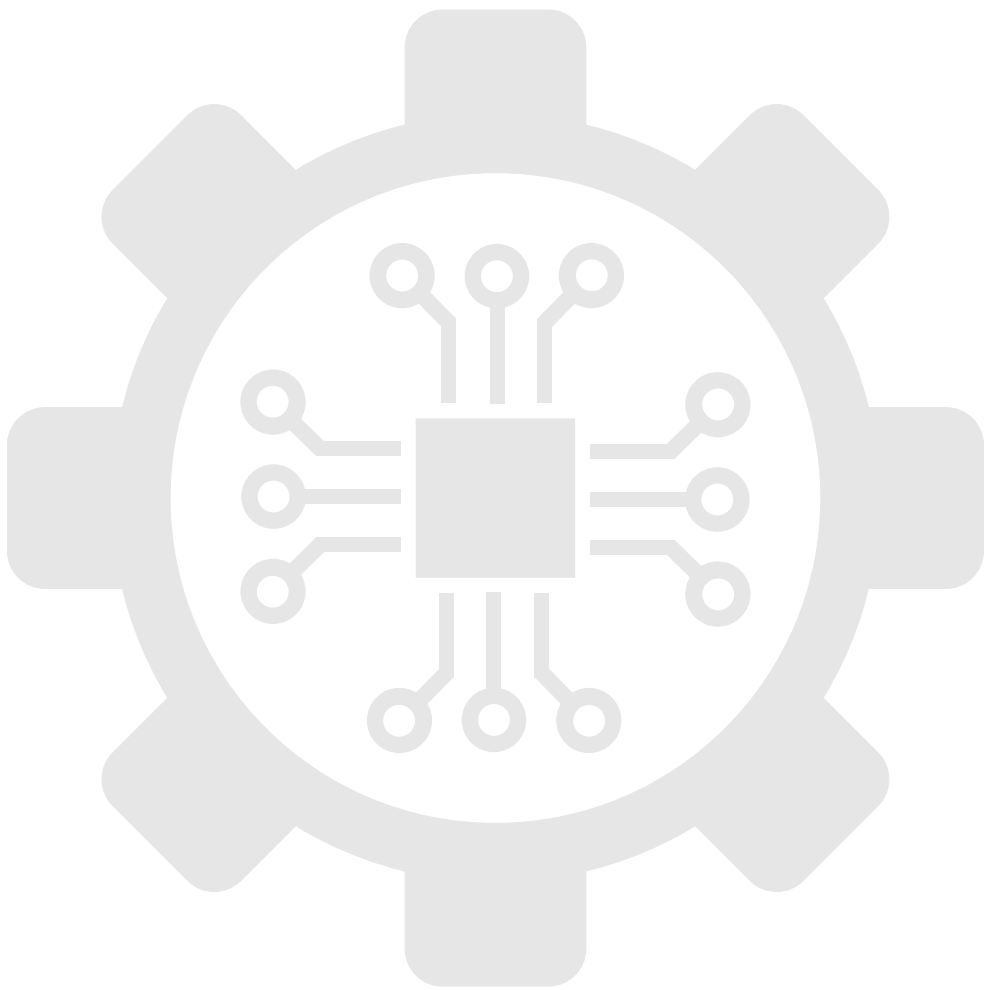
INDUSTRIAL SENSOR GROUP

PRODUCT CATALOGUE



“ACCURATE MEASUREMENT, ACCURATE CONTROL”

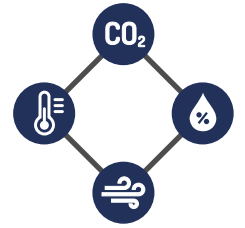
© 2023 - Ems Kontrol - All Rights Reserved



**“ACCURATE MEASUREMENT, ACCURATE CONTROL”**



## INDUSTRIAL SENSOR GROUP



- TEMPERATURE SENSORS
- TEMPERATURE AND HUMIDITY TRANSMITTERS
- CARBON DIOXIDE ( $\text{CO}_2$ ) TRANSMITTERS
- HUMIDITY AND CARBON DIOXIDE ( $\text{CO}_2$ ) TRANSMITTERS
- TEMPERATURE, HUMIDITY AND CARBON DIOXIDE ( $\text{CO}_2$ ) TRANSMITTERS
- DIFFERENTIAL PRESSURE TRANSMITTERS
- AMMONIA ( $\text{NH}_3$ ) TRANSMITTERS
- ETHYLENE ( $\text{C}_2\text{H}_4$ ) TRANSMITTERS
- CARBON MONOXIDE ( $\text{CO}$ ) TRANSMITTERS
- OXYGEN ( $\text{O}_2$ ) TRANSMITTERS
- AIR VELOCITY TRANSMITTER
- DIGITAL DISPLAY
- PORTABLE TEMPERATURE AND HUMIDITY SENSORS
- PORTABLE CARBON DIOXIDE ( $\text{CO}_2$ ) SENSORS
- PORTABLE HUMIDITY AND CARBON DIOXIDE ( $\text{CO}_2$ ) SENSORS
- PORTABLE DIFFERENTIAL PRESSURE SENSORS
- PORTABLE GAS SENSORS
- TEMPERATURE AND HUMIDITY CONTROL DEVICE
- CARBON DIOXIDE ( $\text{CO}_2$ ) CONTROL DEVICES
- HUMIDITY AND CARBON DIOXIDE ( $\text{CO}_2$ ) CONTROL DEVICE
- DIFFERENTIAL PRESSURE CONTROL DEVICES
- GAS CONTROL DEVICES
- SPARE PARTS & ACCESSORIES



## TS-1XX // TEMPERATURE SENSOR

- Accurate and Precise Measuring
- Long Operating Life
- Easy Assembling
- Extendable Sensor on Demand \*

TS-111  
TS-112



TS-121  
TS-131

\* In our TS-111 and TS-112 Temperature sensors, Sensor cable length can be changed (0-10m) according to demand. Metal probe length can be selected as 50mm or 100mm.

### TECHNICAL SPECIFICATIONS

Product Informations	
Product Name	TS-1XX Temperature Sensor
Sensor Type	NTC 10 K / NTC 30 K / PT-100 / PT-1000

Product Code	Sensor Type
TS 111	NTC 10 K
TS 112	NTC 30 K
TS 121	PT-100
TS 131	PT-1000

Sensor Type	Measuring Range	Beta Value	Sensitivity	Accuracy
NTC 10 K	(-40) - (+120)°C	B25/85 - 3435K	± 0,1 °C	± 0,5 %
NTC 30 K	(-40) - (+120)°C	B0/50 - 3892K	± 0,1 °C	± 0,5 %

Sensor Type	Measuring Range	Cable Cross Section + Length	Sensitivity	Accuracy
PT-100	(-200) - (+250)°C	5x50 + 1 m	± 0,1 °C	± 0,5 %
PT-1000	(-50) - (+200)°C	5x50 + 1 m	± 0,1 °C	± 0,1 %



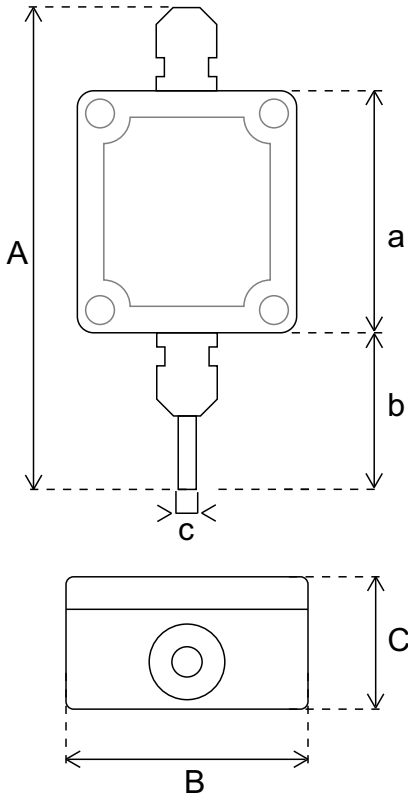
## TS-31X // TEMPERATURE SENSOR

- Accurate and Precise Measuring
- Long Operating Life
- Easy Assembling
- IP 67 Plastic Case
- Extendable Sensor on Demand \*

\* Sensor cable length can be changed (0-10m) according to demand.  
Metal probe length can be selected as 50mm or 100mm.



### TECHNICAL SPECIFICATIONS



Product Informations	
Product Name	TS-31X Temperature Sensor
Sensor Type	NTC 10 K / NTC 30 K

Sensor	Measuring Range	Sensitivity	Accuracy
Temperature	(-40) - (+80)°C	± 0,1 °C	± 0,5 %

Product Code	Sensor Type	Beta Value	Dimensions		
			A	B	C
TS 311	NTC 10 K	B25/85 - 3435K	135 mm	58 mm	35 mm
TS 312	NTC 30 K	B0/50 - 3892K	a	b	c
			64 mm	50 mm	6 mm



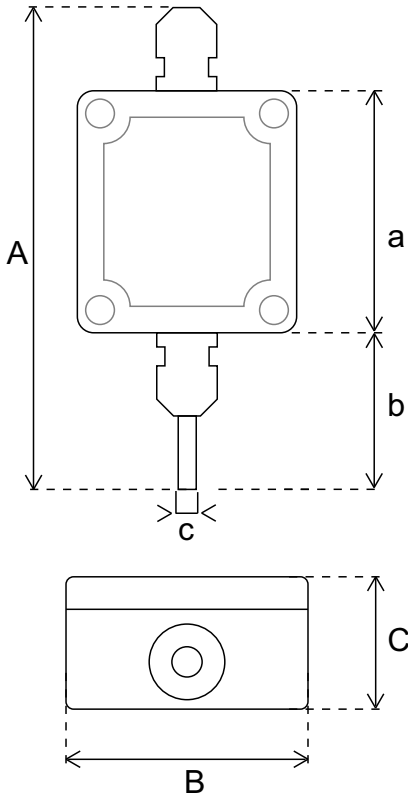
## TT-3XX // TEMPERATURE TRANSMITTER

- Accurate and Precise Measuring
- Analog Output
- Long Operating Life
- Easy Assembling
- IP 67 Plastic Case

\* Sensor cable length can be changed (0-10m) according to demand.  
Metal probe length can be selected as 50mm or 100mm.



### TECHNICAL SPECIFICATIONS



Product Informations	
Product Name	TT-3XX Temperature Transmitter
Input	12-24 V DC
Output	0-10 V / 4-20 mA / Modbus RTU

Sensor	Measuring Range	Sensitivity	Accuracy
Temperature	0 - 50°C (-20) - (+80)°C	± 0,1 °C	± 0,5 °C

Product Code	Output Signal
TT 301	0-10 V
TT 341	4-20 mA
TT 361	Modbus RTU

Dimensions		
A	B	C
135 mm	58 mm	35 mm
a	b	c
64 mm	50 mm	6 mm

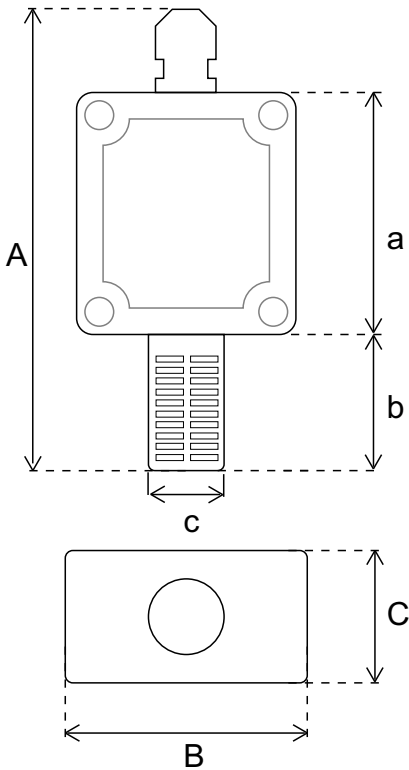


## ST-3XX // TEMPERATURE & HUMIDITY TRANSMITTER / NT-3XX // HUMIDITY TRANSMITTER

- Accurate and Precise Measuring
- Analog Output
- Long Operating Life
- Cleanable Filter
- Easy Assembling
- IP 67 Plastic Case (Not Including Sensor)



### TECHNICAL SPECIFICATIONS



Product Informations	
Product Name	ST-3XX Temperature & Humidity Transmitter NT-3XX Humidity Transmitter
Input	12-24 V DC
Output	0-10 V / 4-20 mA / Modbus RTU

Sensor	Measuring Range	Sensitivity	Accuracy
Temperature	0 - 50°C / (-20) - (+80)°C	± 0,1 °C	± 0,3 °C
Humidity	0 - 100 %	± % 1	± % 3

Product Code	Output Signal
ST 301 / NT 301	0-10 V
ST 341 / NT 341	4-20 mA
ST 361 / NT 361	Modbus RTU

Dimensions		
A	B	C
122 mm	58 mm	35 mm
a	b	c
64 mm	36 mm	20 mm

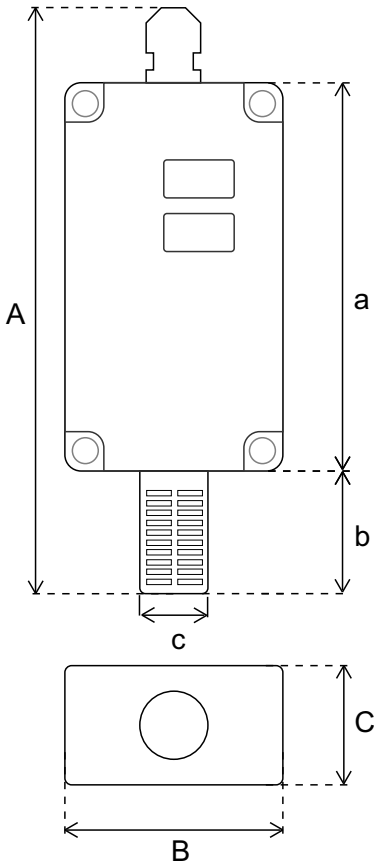


## ST-4XX // TEMPERATURE & HUMIDITY TRANSMITTER WITH DISPLAY

- Accurate and Precise Measuring
- Analog Output
- Durable and Handy Design
- Long Operating Life
- Cleanable Filter
- Easy Assembling
- IP 67 Plastic Case (Not Including Sensor)



### TECHNICAL SPECIFICATIONS



Product Informations	
Product Name	ST-4XX Temperature & Humidity Transmitter with Display
Input	12-24 V DC
Output	0-10 V / 4-20 mA / Modbus RTU

Sensor	Measuring Range	Sensitivity	Accuracy
Temperature	0 - 50°C / (-20) - (+80)°C	± 0,1 °C	± 0,3 °C
Humidity	0 - 100 %	± % 1	± % 3

Product Code	Output Signal
ST 401	0-10 V
ST 441	4-20 mA
ST 461	Modbus RTU

Dimensions		
A	B	C
172 mm	65 mm	40 mm
a	b	c
115 mm	36 mm	20 mm







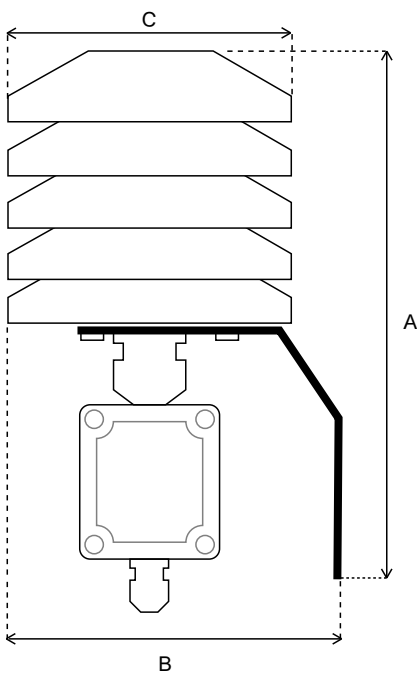
## DT-3XX // OUTSIDE TEMPERATURE & HUMIDITY TRANSMITTER

### OUTSIDE SENSOR

- Radiation and Rain Protection
- Accurate and Precise Measuring
- Analog Output
- Long Operating Life
- Easy Assembling
- IP 67 Plastic Case (Not Including Sensor)



### TECHNICAL SPECIFICATIONS



Product Informations	
Product Name	DT-3XX Outside Temperature & Humidity Transmitter
Input	12-24 V DC
Output	0-10 V / 4-20 mA / Modbus RTU

Sensor	Measuring Range	Sensitivity	Accuracy
Temperature	0 - 50°C / (-20) - (+80)°C	± 0,1 °C	± 0,3 °C
Humidity	0 - 100 %	± % 1	± % 3

Product Code	Output Signal
DT 301	0-10 V
DT 341	4-20 mA
DT 361	Modbus RTU

Dimensions		
A	B	C
240 mm	140 mm	110 mm





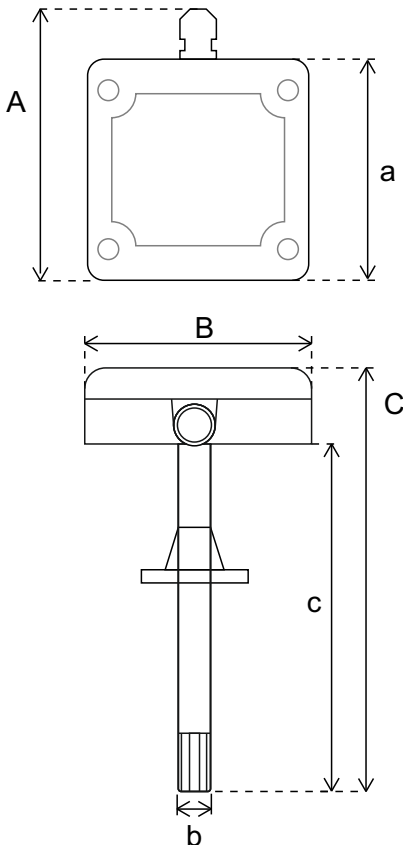
## ST-2XX // TEMPERATURE & HUMIDITY TRANSMITTER / NT-2XX // HUMIDITY TRANSMITTER

### DUCT TYPE

- Accurate and Precise Measuring
- Analog Output
- Long Operating Life
- Cleanable Filter
- Easy Assembling
- IP 67 Plastic Case (Not Including Sensor)



### TECHNICAL SPECIFICATIONS



Product Informations	
Product Name	ST-2XX Temperature & Humidity Duct Type Transmitter NT-2XX Humidity Duct Type Transmitter
Input	12-24 V DC
Output	0-10 V / 4-20 mA / Modbus RTU

Sensor	Measuring Range	Sensitivity	Accuracy
Temperature	0 - 50°C / (-20) - (+80)°C	± 0,1 °C	± 0,3 °C
Humidity	0 - 100 %	± % 1	± % 3

Product Code	Output Signal
ST 201 / NT 201	0-10 V
ST 241 / NT 241	4-20 mA
ST 261 / NT 261	Modbus RTU

Dimensions		
A	B	C
102 mm	80 mm	229 mm
a	b	c
80 mm	15 mm	191 mm



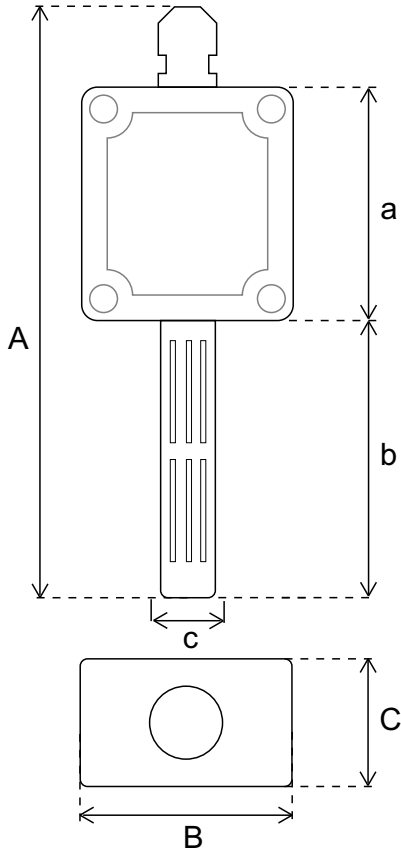


## KT-3X1 // CARBON DIOXIDE (CO<sub>2</sub>) TRANSMITTER

- Accurate and Precise Measuring
- Analog Output
- Durable and Handy Design
- Long Operating Life
- Cleanable Filter
- Easy Assembling
- IP 67 Plastic Case (Not Including Sensor)



### TECHNICAL SPECIFICATIONS



Product Informations	
Product Name	KT-3X1 Carbon Dioxide (CO <sub>2</sub> ) Transmitter
Input	12-24 V DC
Output	0-10 V / 4-20 mA / Modbus RTU

Sensor	Measuring Range	Sensitivity	Accuracy
Carbon Dioxide (CO <sub>2</sub> )	0 - 5.000 ppm 0 - 10.000 ppm	± 10 ppm	± 50 ppm+%2

Product Code	Output Signal
KT 301	0-10 V
KT 341	4-20 mA
KT 361	Modbus RTU

Dimensions		
A	B	C
164 mm	58 mm	35 mm
a	b	c
64 mm	78 mm	16 mm



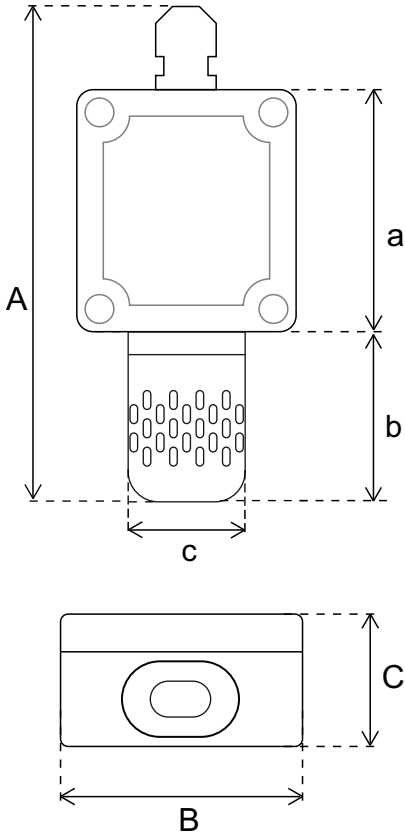


## KT-3X5 // CARBON DIOXIDE TRANSMITTER / KT-3X6 // HUMIDITY & (CO<sub>2</sub>) TRANSMITTER

- Accurate and Precise Measuring
- Analog Output
- Durable and Handy Design
- Long Operating Life
- Cleanable Filter
- Easy Assembling
- IP 67 Plastic Case (Not Including Sensor)



### TECHNICAL SPECIFICATIONS



Product Informations	
Product Name	KT-3X5 Carbon Dioxide (CO <sub>2</sub> ) Transmitter KT-3X6 Humidity & Carbon Dioxide (CO <sub>2</sub> ) Transmitter
Input	12-24 V DC
Output	0-10 V / 4-20 mA / Modbus RTU

Sensor	Measuring Range	Sensitivity	Accuracy
Carbon Dioxide (CO <sub>2</sub> )	0-5.000 ppm / 0-10.000 ppm	± 10 ppm	± 50 ppm+%2
Humidity	0 - 100 %	± % 1	± % 3

Product Code	Output Signal
KT 305 / KT 306	0-10 V
KT 345 / KT 346	4-20 mA
KT 365 / KT 366	Modbus RTU

Dimensions		
A	B	C
131 mm	58 mm	35 mm
a	b	c
64 mm	45 mm	31 mm

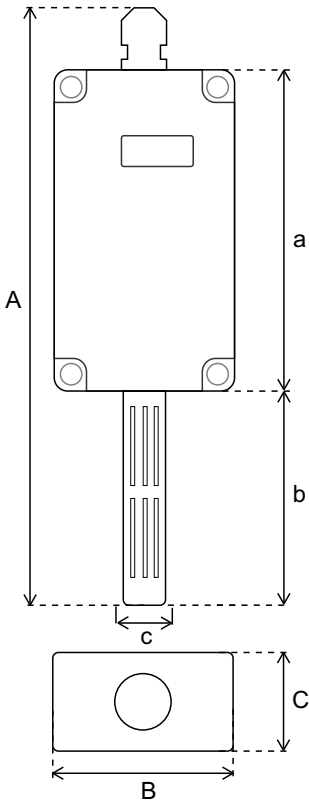


## KT-4X1 // CARBON DIOXIDE (CO<sub>2</sub>) TRANSMITTER WITH DISPLAY

- Accurate and Precise Measuring
- Analog Output
- Durable and Handy Design
- Long Operating Life
- Cleanable Filter
- Easy Assembling
- IP 67 Plastic Case (Not Including Sensor)



### TECHNICAL SPECIFICATIONS



Product Informations	
Product Name	KT-4X1 Carbon Dioxide (CO <sub>2</sub> ) Transmitter with Display
Input	12-24 V DC
Output	0-10 V / 4-20 mA / Modbus RTU

Sensor	Measuring Range	Sensitivity	Accuracy
Carbon Dioxide (CO <sub>2</sub> )	0 - 5.000 ppm 0 - 10.000 ppm	± 10 ppm	± 50 ppm+%2

Product Code	Output Signal
KT 401	0-10 V
KT 441	4-20 mA
KT 461	Modbus RTU

Dimensions		
A	B	C
215 mm	65 mm	40 mm
a	b	c
115 mm	78 mm	16 mm



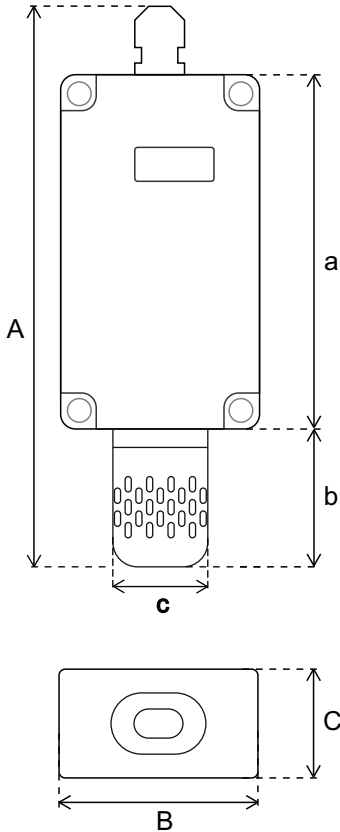


## KT-4X5 // CARBON DIOXIDE (CO<sub>2</sub>) TRANSMITTER WITH DISPLAY

- Accurate and Precise Measuring
- Analog Output
- Durable and Handy Design
- Long Operating Life
- Cleanable Filter
- Easy Assembling
- IP 67 Plastic Case (Not Including Sensor)



### TECHNICAL SPECIFICATIONS



Product Informations	
Product Name	KT-4X5 Carbon Dioxide (CO <sub>2</sub> ) Transmitter with Display
Input	12-24 V DC
Output	0-10 V / 4-20 mA / Modbus RTU

Sensor	Measuring Range	Sensitivity	Accuracy
Carbon Dioxide (CO <sub>2</sub> )	0 - 5.000 ppm 0 - 10.000 ppm	± 10 ppm	± 50 ppm+%2

Product Code	Output Signal
KT 405	0-10 V
KT 445	4-20 mA
KT 465	Modbus RTU

Dimensions		
A	B	C
182 mm	65 mm	40 mm
a	b	c
115 mm	45 mm	31mm



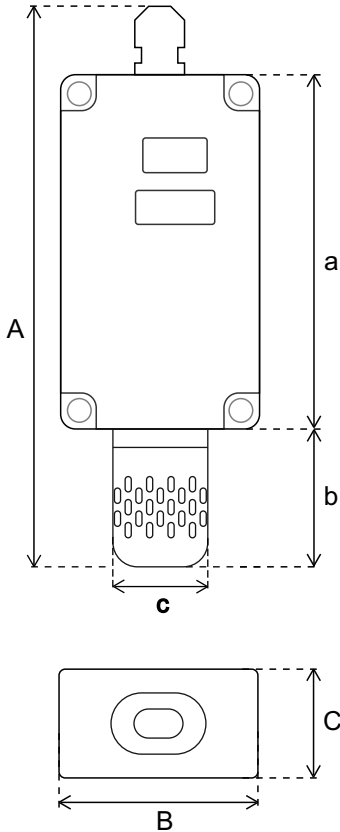


## KT-4X6 // HUMIDITY & CARBON DIOXIDE (CO<sub>2</sub>) TRANSMITTER WITH DISPLAY

- Accurate and Precise Measuring
- Analog Output
- Durable and Handy Design
- Long Operating Life
- Cleanable Filter
- Easy Assembling
- IP 67 Plastic Case (Not Including Sensor)



### TECHNICAL SPECIFICATIONS



Product Informations	
Product Name	KT-4X6 Humidity & Carbon Dioxide (CO <sub>2</sub> ) Transmitter with Display
Input	12-24 V DC
Output	0-10 V / 4-20 mA / Modbus RTU

Sensor	Measuring Range	Sensitivity	Accuracy
Carbon Dioxide (CO <sub>2</sub> )	0-5.000 ppm / 0-10.000 ppm	± 10 ppm	± 50 ppm+%2
Humidity	0 - 100 %	± % 1	± % 3

Product Code	Output Signal
KT 406	0-10 V
KT 446	4-20 mA
KT 466	Modbus RTU

Dimensions		
A	B	C
182 mm	65 mm	40 mm
a	b	c
115 mm	45 mm	31mm



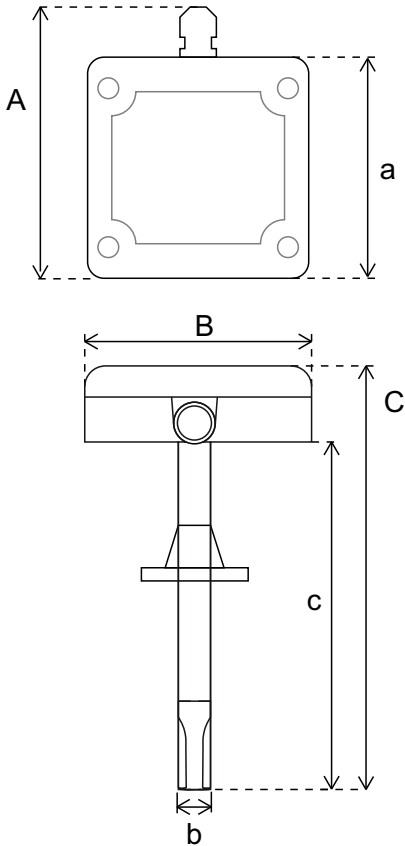


## KT-2XX // CARBON DIOXIDE (CO<sub>2</sub>) DUCT TYPE TRANSMITTER

- Accurate and Precise Measuring
- Analog Output
- Durable and Handy Design
- Long Operating Life
- Easy Assembling
- Mounting Bracket
- IP 67 Plastic Case (Not Including Air Entrance For Sensor)



### TECHNICAL SPECIFICATIONS



Product Informations	
Product Name	KT-2XX Carbon Dioxide (CO <sub>2</sub> ) Duct Type Transmitter
Input	12-24 V DC
Output	0-10 V / 4-20 mA / Modbus RTU

Sensor	Measuring Range	Sensitivity	Accuracy
Carbon Dioxide (CO <sub>2</sub> )	0 - 5.000 ppm 0 - 10.000 ppm	± 10 ppm	± 50 ppm+%2

Product Code	Output Signal
KT 201	0-10 V
KT 241	4-20 mA
KT 261	Modbus RTU

Dimensions		
A	B	C
102 mm	80 mm	231 mm
a	b	c
80 mm	15 mm	193 mm



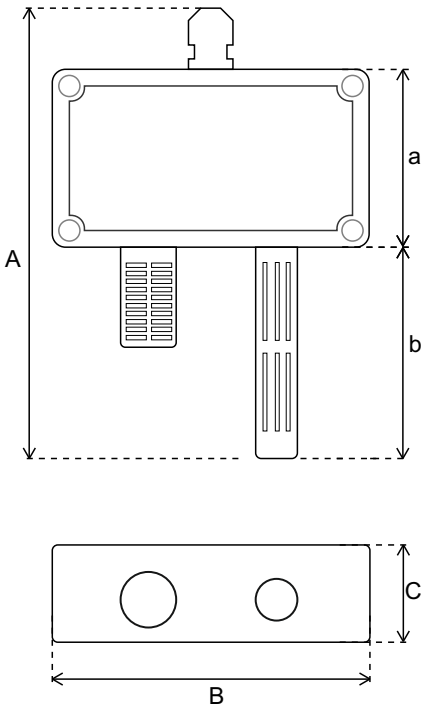


## KT-5X1 // TEMPERATURE, HUMIDITY & CARBON DIOXIDE (CO<sub>2</sub>) TRANSMITTER

- Accurate and Precise Measuring
- Analog Output
- Durable and Handy Design
- Long Operating Life
- Cleanable Filter
- Easy Assembling
- IP 67 Plastic Case (Not Including Sensor)



### TECHNICAL SPECIFICATIONS



Product Informations	
Product Name	KT-5X1 Temperature, Humidity & Carbon Dioxide (CO <sub>2</sub> ) Transmitter
Input	12-24 V DC
Output	0-10 V / 4-20 mA / Modbus RTU

Sensor	Measuring Range	Sensitivity	Accuracy
Temperature	0 - 50°C / (-20) - (+80)°C	± 0,1 °C	± 0,3 °C
Humidity	0 - 100 %	± % 1	± % 3
Carbon Dioxide (CO <sub>2</sub> )	0 - 5.000 ppm 0 - 10.000 ppm	± 10 ppm	± 50 ppm+%2

Product Code	Output Signal
KT 501	0-10 V
KT 541	4-20 mA
KT 561	Modbus RTU

Dimensions		
A	B	C
164 mm	115 mm	40 mm
a	b	
65 mm	78 mm	

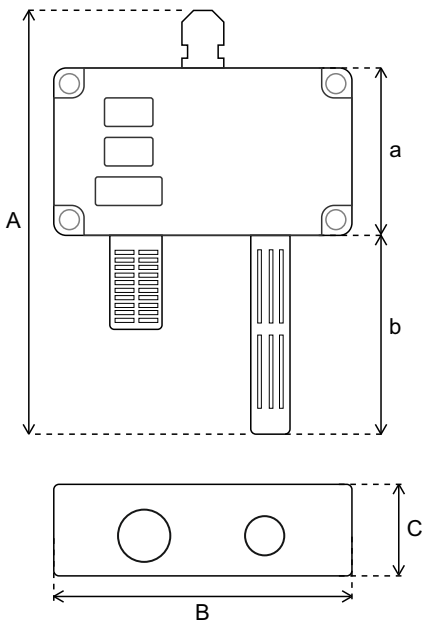


## KT-6X1 // TEMPERATURE, HUMIDITY & CARBON DIOXIDE (CO<sub>2</sub>) TRANSMITTER WITH DISPLAY

- Accurate and Precise Measuring
- Analog Output
- Durable and Handy Design
- Long Operating Life
- Cleanable Filter
- Easy Assembling
- IP 67 Plastic Case (Not Including Sensor)



### TECHNICAL SPECIFICATIONS



Product Informations	
Product Name	KT-6X1 Temperature, Humidity & Carbon Dioxide (CO <sub>2</sub> ) Transmitter with Display
Input	12-24 V DC
Output	0-10 V / 4-20 mA / Modbus RTU

Sensor	Measuring Range	Sensitivity	Accuracy
Temperature	0 - 50°C / (-20) - (+80)°C	± 0,1 °C	± 0,3 °C
Humidity	0 - 100 %	± % 1	± % 3
Carbon Dioxide (CO <sub>2</sub> )	0 - 5.000 ppm 0 - 10.000 ppm	± 10 ppm	± 50 ppm+%2

Product Code	Output Signal
KT 601	0-10 V
KT 641	4-20 mA
KT 661	Modbus RTU

Dimensions		
A	B	C
164 mm	115 mm	40 mm
a	b	
65 mm	78 mm	

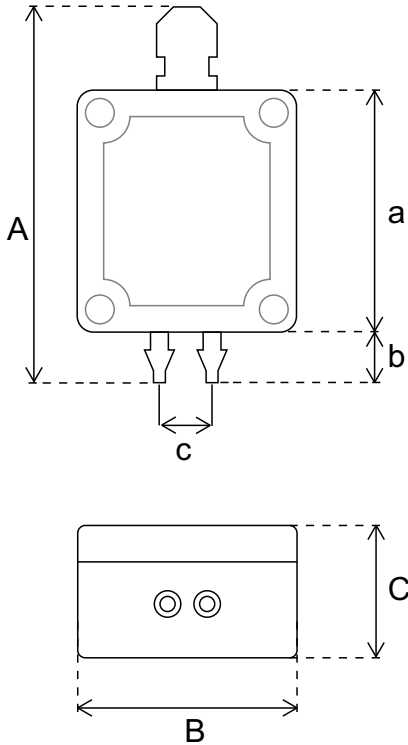


## BT-3X1 // DIFFERENTIAL PRESSURE TRANSMITTER

- Accurate and Precise Measuring
- Analog Output
- Durable and Handy Design
- Long Operating Life
- Easy Assembling
- IP 67 Plastic Case (Not Including Sensor)



### TECHNICAL SPECIFICATIONS



Product Informations	
Product Name	BT-3X1 Differential Pressure Transmitter
Input	12-24 V DC
Output	0-10 V / 4-20 mA / Modbus RTU

Sensor	Measuring Range	Sensitivity	Accuracy
Pressure	0-100 Pa / 0-125 Pa (-125) - (+125) Pa (-500) - (+500) Pa	± 1 Pa	± %3

Product Code	Output Signal
BT 301	0-10 V
BT 341	4-20 mA
BT 361	Modbus RTU

Dimensions		
A	B	C
96 mm	58 mm	35 mm
a	b	c
64 mm	10 mm	12 mm



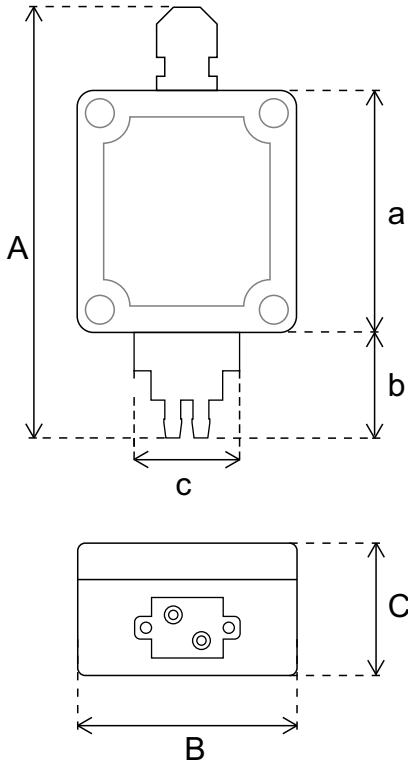


## BT-3X5 // DIFFERENTIAL PRESSURE TRANSMITTER

- Accurate and Precise Measuring
- Analog Output
- Durable and Handy Design
- Long Operating Life
- Easy Assembling
- IP 67 Plastic Case (Not Including Sensor)



### TECHNICAL SPECIFICATIONS



Product Informations	
Product Name	BT-3X5 Differential Pressure Transmitter
Input	12-24 V DC
Output	0-10 V / 4-20 mA / Modbus RTU

Sensor	Measuring Range	Sensitivity	Accuracy
Pressure	0-1.000 Pa 0-5.000 Pa 0-10.000 Pa	± 10 Pa	± %0,5

Product Code	Output Signal
BT 305	0-10 V
BT 345	4-20 mA
BT 365	Modbus RTU

Dimensions		
A	B	C
114 mm	58 mm	35 mm
a	b	c
64 mm	28 mm	28 mm



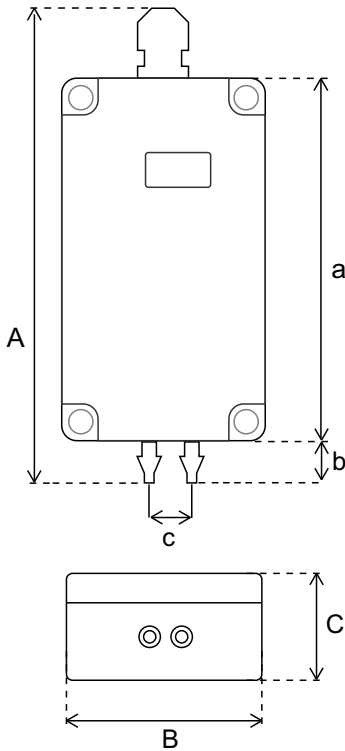


## BT-4X1 // DIFFERENTIAL PRESSURE TRANSMITTER WITH DISPLAY

- Accurate and Precise Measuring
- Analog Output
- Durable and Handy Design
- Long Operating Life
- Easy Assembling
- IP 67 Plastic Case (Not Including Sensor)



### TECHNICAL SPECIFICATIONS



Product Informations	
Product Name	BT-4X1 Differential Pressure Transmitter with Display
Input	12-24 V DC
Output	0-10 V / 4-20 mA / Modbus RTU

Sensor	Measuring Range	Sensitivity	Accuracy
Pressure	0-100 Pa / 0-125 Pa (-125) - (+125) Pa (-500) - (+500) Pa	$\pm 1$ Pa	$\pm \%3$

Product Code	Output Signal
BT 401	0-10 V
BT 441	4-20 mA
BT 461	Modbus RTU

Dimensions		
A	B	C
147 mm	65 mm	40 mm
a	b	c
115 mm	10 mm	12 mm



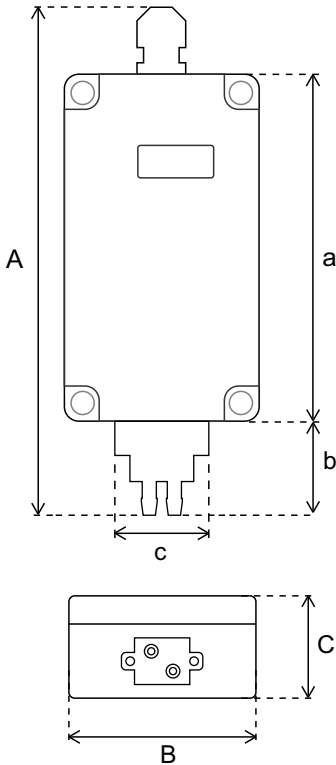


## BT-4X5 // DIFFERENTIAL PRESSURE TRANSMITTER WITH DISPLAY

- Accurate and Precise Measuring
- Analog Output
- Durable and Handy Design
- Long Operating Life
- Easy Assembling
- IP 67 Plastic Case (Not Including Sensor)



### TECHNICAL SPECIFICATIONS



Product Informations	
Product Name	BT-4X5 Differential Pressure Transmitter with Display
Input	12-24 V DC
Output	0-10 V / 4-20 mA / Modbus RTU

Sensor	Measuring Range	Sensitivity	Accuracy
Pressure	0-1.000 Pa 0-5.000 Pa 0-10.000 Pa	$\pm 10$ Pa	$\pm \%0,5$

Product Code	Output Signal
BT 405	0-10 V
BT 445	4-20 mA
BT 465	Modbus RTU

Dimensions		
A	B	C
165 mm	65 mm	40 mm
a	b	c
115 mm	28 mm	28 mm



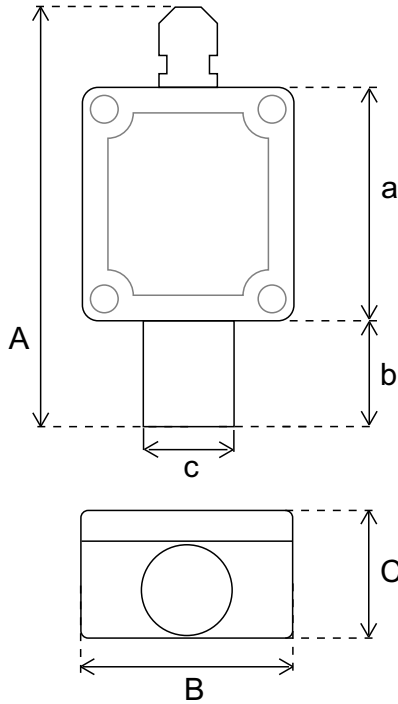


## AT-3XX // AMMONIA (NH<sub>3</sub>) TRANSMITTER

- Accurate and Precise Measuring
- Analog Output
- Durable and Handy Design
- 2 Years Sensor Operating Life
- Easy Replaceable Sensor
- Easy Assembling
- IP 67 Plastic Case (Not Including Sensor)



### TECHNICAL SPECIFICATIONS



Product Informations	
Product Name	AT-3XX Ammonia (NH <sub>3</sub> ) Transmitter
Input	12-24 V DC
Output	0-10 V / 4-20 mA / Modbus RTU
Sensor Operating Life	2 Years

Sensor	Measuring Range	Sensitivity	Accuracy
Ammonia (NH <sub>3</sub> )	0-100 ppm	± 1 ppm	± 2 ppm

Product Code	Output Signal
AT 301	0-10 V
AT 341	4-20 mA
AT 361	Modbus RTU

Dimensions		
A	B	C
110 mm	58 mm	35 mm
a	b	c
64 mm	24 mm	24 mm

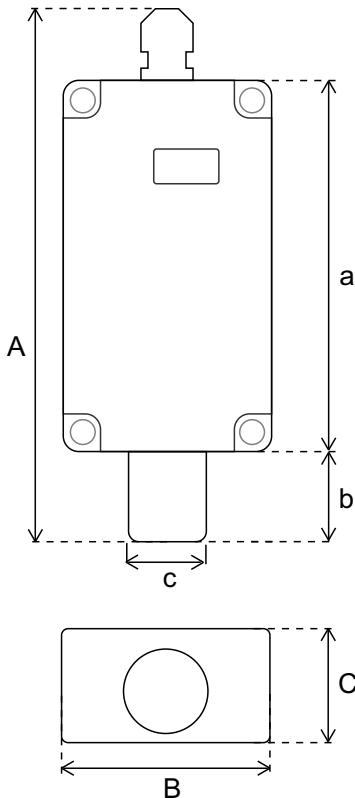


## AT-4XX // AMMONIA (NH<sub>3</sub>) TRANSMITTER WITH DISPLAY

- Accurate and Precise Measuring
- Analog Output
- Durable and Handy Design
- 2 Years Sensor Operating Life
- Easy Replaceable Sensor
- Easy Assembling
- IP 67 Plastic Case (Not Including Sensor)



### TECHNICAL SPECIFICATIONS



Product Informations	
Product Name	AT-4XX Ammonia (NH <sub>3</sub> ) Transmitter with Display
Input	12-24 V DC
Output	0-10 V / 4-20 mA / Modbus RTU
Sensor Operating Life	2 Years

Sensor	Measuring Range	Sensitivity	Accuracy
Ammonia (NH <sub>3</sub> )	0-100 ppm	± 1 ppm	± 2 ppm

Product Code	Output Signal
AT 401	0-10 V
AT 441	4-20 mA
AT 461	Modbus RTU

Dimensions		
A	B	C
161 mm	65 mm	40 mm
a	b	c
115 mm	24 mm	24 mm





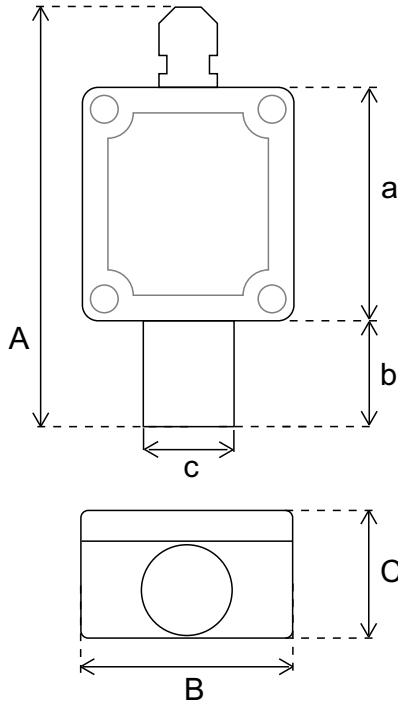


## ET-3XX // ETHYLENE (C<sub>2</sub>H<sub>4</sub>) TRANSMITTER

- Accurate and Precise Measuring
- Analog Output
- Durable and Handy Design
- 2 Years Sensor Operating Life
- Easy Replaceable Sensor
- Easy Assembling
- IP 67 Plastic Case (Not Including Sensor)



### TECHNICAL SPECIFICATIONS



Product Informations	
Product Name	ET-3XX Ethylene (C <sub>2</sub> H <sub>4</sub> ) Transmitter
Input	12-24 V DC
Output	0-10 V / 4-20 mA / Modbus RTU
Sensor Operating Life	2 Years

Sensor	Measuring Range	Sensitivity	Accuracy
Ethylene (C <sub>2</sub> H <sub>4</sub> )	0-10 ppm / 0-100 ppm	± 0,1 ppm	± 1 ppm

Product Code	Output Signal
ET 301	0-10 V
ET 341	4-20 mA
ET 361	Modbus RTU

Dimensions		
A	B	C
110 mm	58 mm	35 mm
a	b	c
64 mm	24 mm	24 mm



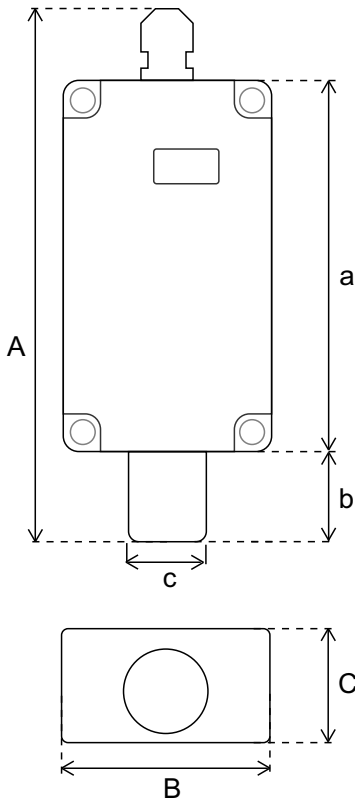


## ET-4XX // ETHYLENE (C<sub>2</sub>H<sub>4</sub>) TRANSMITTER WITH DISPLAY

- Accurate and Precise Measuring
- Analog Output
- Durable and Handy Design
- 2 Years Sensor Operating Life
- Easy Replaceable Sensor
- Easy Assembling
- IP 67 Plastic Case (Not Including Sensor)



### TECHNICAL SPECIFICATIONS



Product Informations	
Product Name	ET-4XX Ethylene (C <sub>2</sub> H <sub>4</sub> ) Transmitter with Display
Input	12-24 V DC
Output	0-10 V / 4-20 mA / Modbus RTU
Sensor Operating Life	2 Years

Sensor	Measuring Range	Sensitivity	Accuracy
Ethylene (C <sub>2</sub> H <sub>4</sub> )	0-10 ppm / 0-100 ppm	± 0,1 ppm	± 1 ppm

Product Code	Output Signal
ET 401	0-10 V
ET 441	4-20 mA
ET 461	Modbus RTU

Dimensions		
A	B	C
161 mm	65 mm	40 mm
a	b	c
115 mm	24 mm	24 mm



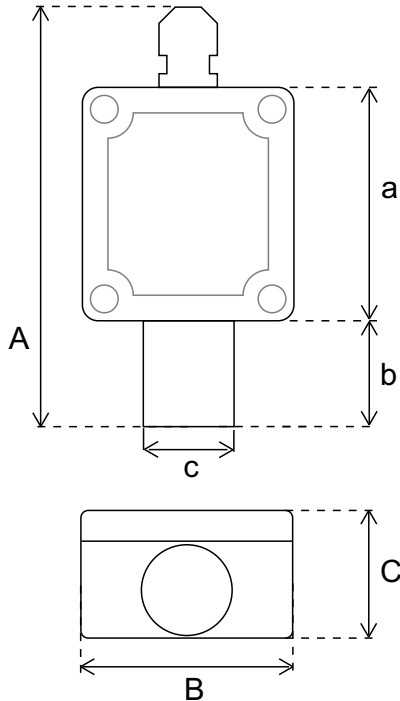


## CT-3XX // CARBON MONOXIDE (CO) TRANSMITTER

- Accurate and Precise Measuring
- Analog Output
- Durable and Handy Design
- 2 Years Sensor Operating Life
- Easy Replaceable Sensor
- Easy Assembling
- IP 67 Plastic Case (Not Including Sensor)



### TECHNICAL SPECIFICATIONS



Product Informations	
Product Name	CT-3XX Carbon Monoxide (CO) Transmitter
Input	12-24 V DC
Output	0-10 V / 4-20 mA / Modbus RTU
Sensor Operating Life	2 Years

Sensor	Measuring Range	Sensitivity	Accuracy
Carbon Monoxide (CO)	0-1000 ppm	± 1 ppm	± 5 ppm

Product Code	Output Signal
CT 301	0-10 V
CT 341	4-20 mA
CT 361	Modbus RTU

Dimensions		
A	B	C
110 mm	58 mm	35 mm
a	b	c
64 mm	24 mm	24 mm



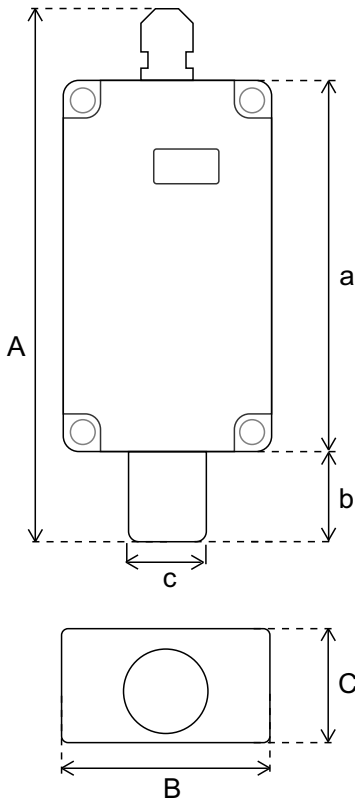


## CT-4XX // CARBON MONOXIDE (CO) TRANSMITTER WITH DISPLAY

- Accurate and Precise Measuring
- Analog Output
- Durable and Handy Design
- 2 Years Sensor Operating Life
- Easy Replaceable Sensor
- Easy Assembling
- IP 67 Plastic Case (Not Including Sensor)



### TECHNICAL SPECIFICATIONS



Product Informations	
Product Name	CT-4XX Carbon Monoxide (CO) Transmitter with Display
Input	12-24 V DC
Output	0-10 V / 4-20 mA / Modbus RTU
Sensor Operating Life	2 Years

Sensor	Measuring Range	Sensitivity	Accuracy
Carbon Monoxide (CO)	0-1000 ppm	± 1 ppm	± 5 ppm

Product Code	Output Signal
CT 401	0-10 V
CT 441	4-20 mA
CT 461	Modbus RTU

Dimensions		
A	B	C
161 mm	65 mm	40 mm
a	b	c
115 mm	24 mm	24 mm



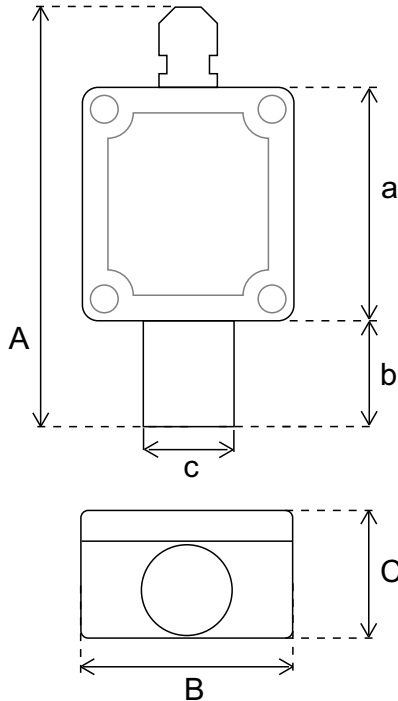


## OT-3XX // OXYGEN (O<sub>2</sub>) TRANSMITTER

- Accurate and Precise Measuring
- Analog Output
- Durable and Handy Design
- 2 Years Sensor Operating Life
- Easy Replaceable Sensor
- Easy Assembling
- IP 67 Plastic Case (Not Including Sensor)



### TECHNICAL SPECIFICATIONS



Product Informations	
Product Name	OT-3XX Oxygen (O <sub>2</sub> ) Transmitter
Input	12-24 V DC
Output	0-10 V / 4-20 mA / Modbus RTU
Sensor Operating Life	2 Years

Sensor	Measuring Range	Sensitivity	Accuracy
Oxygen (O <sub>2</sub> )	0-25 % VOL	± 0.1 % VOL	± 1 % VOL

Product Code	Output Signal
OT 301	0-10 V
OT 341	4-20 mA
OT 361	Modbus RTU

Dimensions		
A	B	C
110 mm	58 mm	35 mm
a	b	c
64 mm	24 mm	24 mm

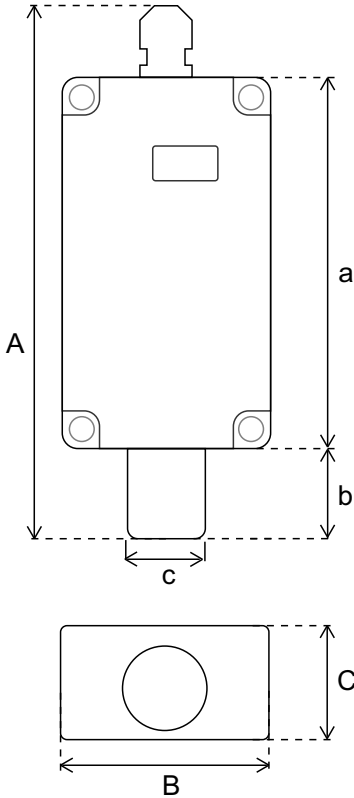


## OT-4XX // OXYGEN (O<sub>2</sub>) TRANSMITTER WITH DISPLAY

- Accurate and Precise Measuring
- Analog Output
- Durable and Handy Design
- 2 Years Sensor Operating Life
- Easy Replaceable Sensor
- Easy Assembling
- IP 67 Plastic Case (Not Including Sensor)



### TECHNICAL SPECIFICATIONS



Product Informations	
Product Name	OT-4XX Oxygen (O <sub>2</sub> ) Transmitter with Display
Input	12-24 V DC
Output	0-10 V / 4-20 mA / Modbus RTU
Sensor Operating Life	2 Years

Sensor	Measuring Range	Sensitivity	Accuracy
Oxygen (O <sub>2</sub> )	0-25 % VOL	± 0.1 % VOL	± 1 % VOL

Product Code	Output Signal
OT 401	0-10 V
OT 441	4-20 mA
OT 461	Modbus RTU

Dimensions		
A	B	C
161 mm	65 mm	40 mm
a	b	c
115 mm	24 mm	24 mm



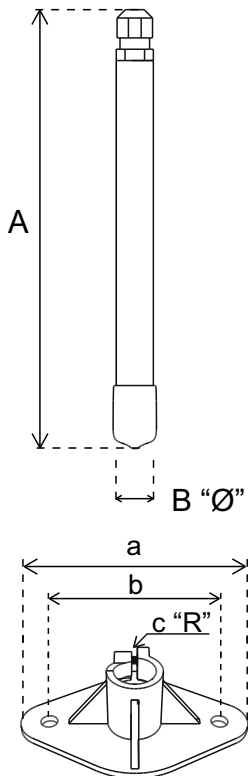


## HT-2XX // AIR VELOCITY TRANSMITTER

- Accurate and Precise Measuring
- Analog Output
- Durable and Handy Design
- Long Operating Life
- Easy Assembling
- IP 67 Plastic Case (Not Including Sensor)



### TECHNICAL SPECIFICATIONS



Product Informations	
Product Name	HT-2XX Air Velocity Transmitter
Input	24 V DC / 12 V DC (HT-202)
Output	0-5 V / 0-10 V / 4-20 mA / Modbus RTU

Sensor	Measuring Range	Sensitivity	Accuracy
Air Velocity	0 - 10 m/s 0 - 5 m/s (HT-202)	± 0,1 m/s	± 0,2 m/s

Product Code	Output Signal
HT 201 / HT 202	0-10 V / 0-5 V
HT 241	4-20 mA
HT 261	Modbus RTU

Dimensions		
A	B	
167 mm	14 mm	
a	b	c
80 mm	60 mm	7,25 mm



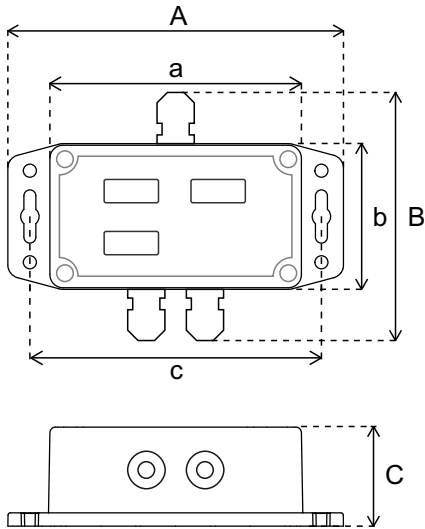


## EG-6XX // DIGITAL DISPLAY

- Accurate and Precise Measuring
- 3 Analog Input
- Durable and Handy Design
- Long Operating Life
- Easy Assembling
- IP 67 Plastic Case (Not Including Sensor)
- Switchable Sensor Inputs on Demand



## TECHNICAL SPECIFICATIONS



Product Informations	
Product Name	EG-601 Temperature, Humidity & Carbon Dioxide (CO2) Display
Input	12-24 V DC

Sensor	Measuring Range	Sensitivity	Accuracy
Temperature	0 - 50°C / (-20) - (+80)°C	± 0,1 °C	± 0,3 °C
Humidity	0 - 100 %	± % 1	± % 3
Carbon Dioxide (CO <sub>2</sub> )	0 - 5.000 ppm 0 - 10.000 ppm	± 10 ppm	± 50 ppm+ %2

Dimensions					
A	B	C	a	b	c
152 mm	109 mm	60 mm	115 mm	65 mm	113 mm





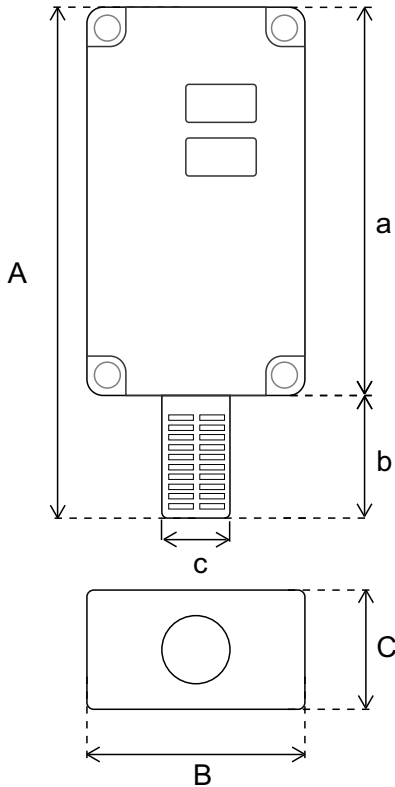


## SS-412 // PORTABLE TEMPERATURE & HUMIDITY SENSOR

- Accurate and Precise Measuring
- Internal Battery
- Durable and Handy Design
- Long Operating Life
- Cleanable Filter
- IP 67 Plastic Case (Not Including Sensor)



### TECHNICAL SPECIFICATIONS



Product Informations	
Product Name	SS-412 Portable Temperature & Humidity Sensor
Input	12 V DC

Sensor	Measuring Range	Sensitivity	Accuracy
Temperature	(-20) - (+80)°C	± 0,1 °C	± 0,3 °C
Humidity	0 - 100 %	± % 1	± % 3

Dimensions					
A	B	C	a	b	c
151 mm	65 mm	40 mm	115 mm	36 mm	20 mm

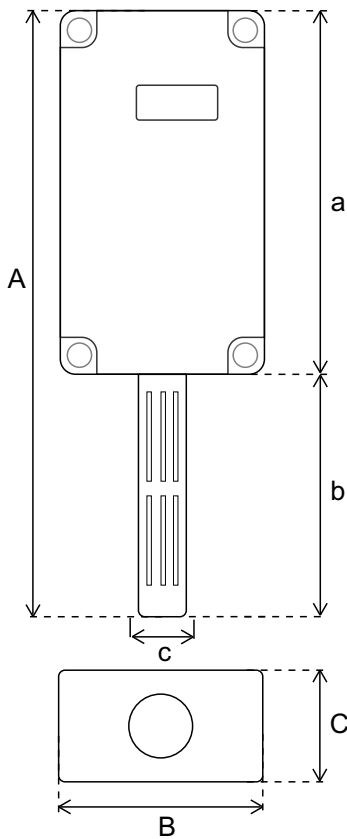


## KS-412 // PORTABLE CARBON DIOXIDE (CO<sub>2</sub>) SENSOR

- Accurate and Precise Measuring
- Internal Battery
- Durable and Handy Design
- Long Operating Life
- Cleanable Filter
- IP 67 Plastic Case (Not Including Sensor)



### TECHNICAL SPECIFICATIONS



Product Informations	
Product Name	KS-412 Portable Carbon Dioxide (CO <sub>2</sub> ) Sensor
Input	12 V DC

Sensor	Measuring Range	Sensitivity	Accuracy
Carbon Dioxide (CO <sub>2</sub> )	0 - 5.000 ppm 0 - 10.000 ppm	± 10 ppm	± 50 ppm+%/2

Dimensions					
A	B	C	a	b	c
193 mm	65 mm	40 mm	115 mm	78 mm	16 mm

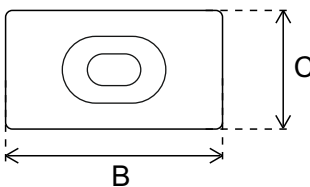
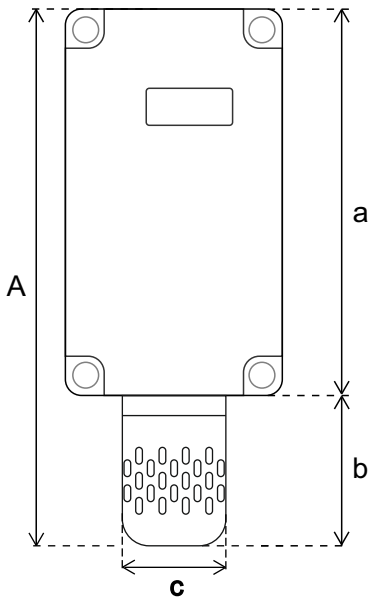


## KS-415 // PORTABLE CARBON DIOXIDE (CO<sub>2</sub>) SENSOR

- Accurate and Precise Measuring
- Internal Battery
- Durable and Handy Design
- Long Operating Life
- Cleanable Filter
- IP 67 Plastic Case (Not Including Sensor)



### TECHNICAL SPECIFICATIONS



Product Informations	
Product Name	KS-415 Portable Carbon Dioxide (CO <sub>2</sub> ) Sensor
Input	12 V DC

Sensor	Measuring Range	Sensitivity	Accuracy
Carbon Dioxide (CO <sub>2</sub> )	0 - 5.000 ppm 0 - 10.000 ppm	± 10 ppm	± 50 ppm+%/2

Dimensions					
A	B	C	a	b	c
160 mm	65 mm	40 mm	115 mm	45 mm	31 mm



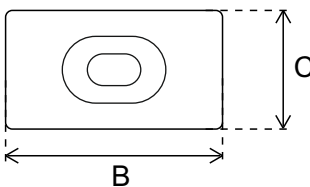
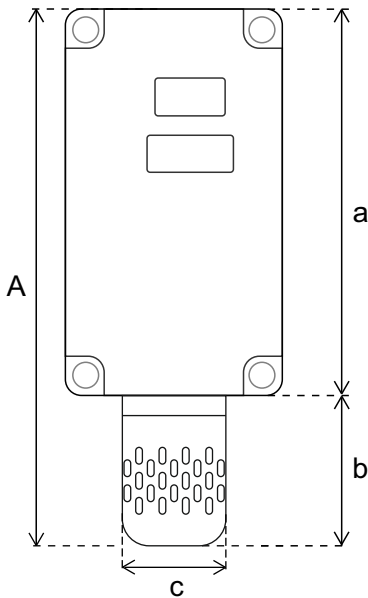


## KS-416 // PORTABLE HUMIDITY & CARBON DIOXIDE (CO<sub>2</sub>) SENSOR

- Accurate and Precise Measuring
- Internal Battery
- Durable and Handy Design
- Long Operating Life
- Cleanable Filter
- IP 67 Plastic Case (Not Including Sensor)



### TECHNICAL SPECIFICATIONS



Product Informations	
Product Name	KS-416 Portable Humidity & Carbon Dioxide (CO <sub>2</sub> ) Sensor
Input	12 V DC

Sensor	Measuring Range	Sensitivity	Accuracy
Carbon Dioxide (CO <sub>2</sub> )	0-5.000 ppm / 0-10.000 ppm	± 10 ppm	± 50 ppm+%/2
Humidity	0 - 100 %	± % 1	± % 3

Dimensions					
A	B	C	a	b	c
160 mm	65 mm	40 mm	115 mm	45 mm	31 mm

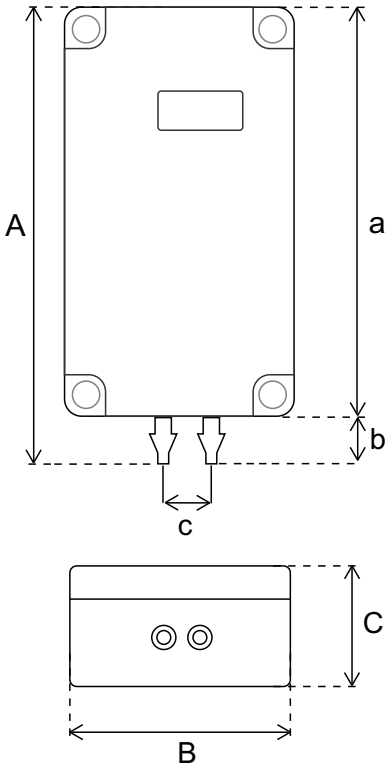


## BS-412 // PORTABLE DIFFERENTIAL PRESSURE SENSOR

- Accurate and Precise Measuring
- Internal Battery
- Durable and Handy Design
- Long Operating Life
- IP 67 Plastic Case (Not Including Sensor)



### TECHNICAL SPECIFICATIONS



Product Informations	
Product Name	BS-412 Portable Differential Pressure Sensor
Input	12 V DC

Sensor	Measuring Range	Sensitivity	Accuracy
Pressure	(-125) - (+125) Pa (-500) - (+500) Pa	$\pm 1$ Pa	$\pm \%3$

Dimensions					
A	B	C	a	b	c
125 mm	65 mm	40 mm	115 mm	10 mm	12 mm



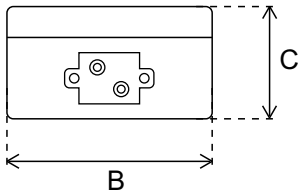
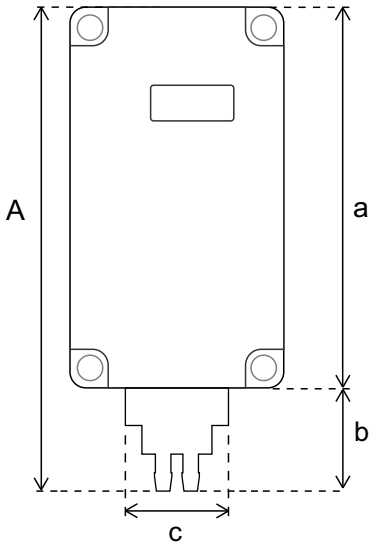


## BS-415 // PORTABLE DIFFERENTIAL PRESSURE SENSOR

- Accurate and Precise Measuring
- Internal Battery
- Durable and Handy Design
- Long Operating Life
- IP 67 Plastic Case (Not Including Sensor)



### TECHNICAL SPECIFICATIONS



Product Informations	
Product Name	BS-415 Portable Differential Pressure Sensor
Input	12 V DC

Sensor	Measuring Range	Sensitivity	Accuracy
Pressure	0-10.000 Pa	$\pm 10$ Pa	$\pm \%0,5$

Dimensions					
A	B	C	a	b	c
143 mm	65 mm	40 mm	115 mm	28 mm	28 mm



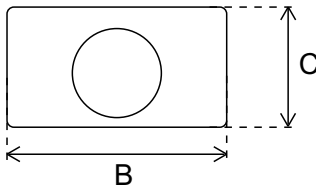
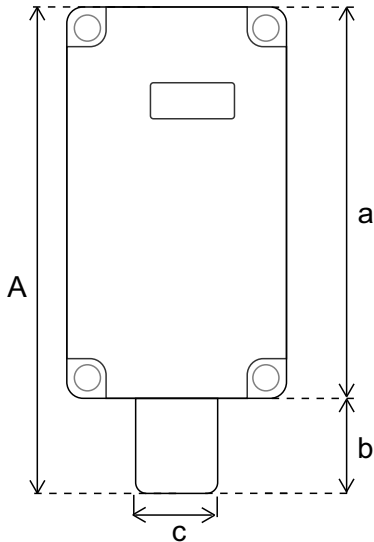


## AS-412 // PORTABLE AMMONIA (NH<sub>3</sub>) SENSOR

- Accurate and Precise Measuring
- Internal Battery
- Durable and Handy Design
- 2 Years Sensor Operating Life
- Easy Replaceable Sensor
- IP 67 Plastic Case (Not Including Sensor)



### TECHNICAL SPECIFICATIONS



#### Product Informations

Product Name	AS-412 Portable Ammonia (NH <sub>3</sub> ) Sensor
Input	12 V DC

Sensor	Measuring Range	Sensitivity	Accuracy
Ammonia (NH <sub>3</sub> )	0-100 ppm	± 1 ppm	± 2 ppm

#### Dimensions

A	B	C	a	b	c
139 mm	65 mm	40 mm	115 mm	24 mm	24 mm



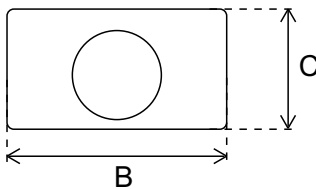
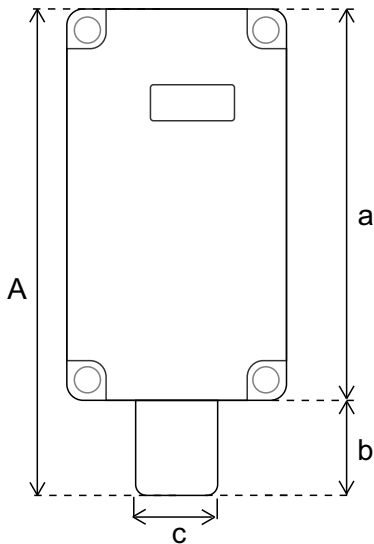


## ES-412 // PORTABLE ETHYLENE (C<sub>2</sub>H<sub>4</sub>) SENSOR

- Accurate and Precise Measuring
- Internal Battery
- Durable and Handy Design
- 2 Years Sensor Operating Life
- Easy Replaceable Sensor
- IP 67 Plastic Case (Not Including Sensor)



### TECHNICAL SPECIFICATIONS



Product Informations	
Product Name	ES-412 Portable Ethylene (C <sub>2</sub> H <sub>4</sub> ) Sensor
Input	12 V DC

Sensor	Measuring Range	Sensitivity	Accuracy
Ethylene (C <sub>2</sub> H <sub>4</sub> )	0-100 ppm	± 0,1 ppm	± 1 ppm

Dimensions					
A	B	C	a	b	c
139 mm	65 mm	40 mm	115 mm	24 mm	24 mm





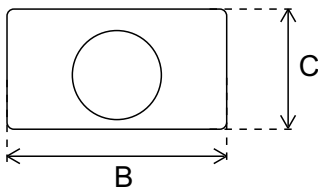
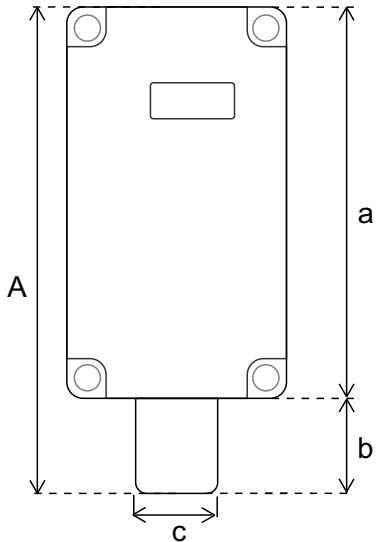


## CS-412 // PORTABLE CARBON MONOXIDE (CO) SENSOR

- Accurate and Precise Measuring
- Internal Battery
- Durable and Handy Design
- 2 Years Sensor Operating Life
- Easy Replaceable Sensor
- IP 67 Plastic Case (Not Including Sensor)



### TECHNICAL SPECIFICATIONS



Product Informations	
Product Name	CS-412 Portable Carbon Monoxide (CO) Sensor
Input	12 V DC

Sensor	Measuring Range	Sensitivity	Accuracy
Carbon Monoxide (CO)	0-1000 ppm	± 1 ppm	± 5 ppm

Dimensions					
A	B	C	a	b	c
139 mm	65 mm	40 mm	115 mm	24 mm	24 mm



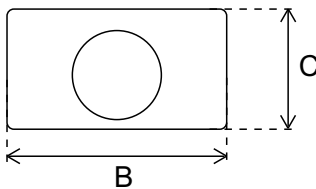
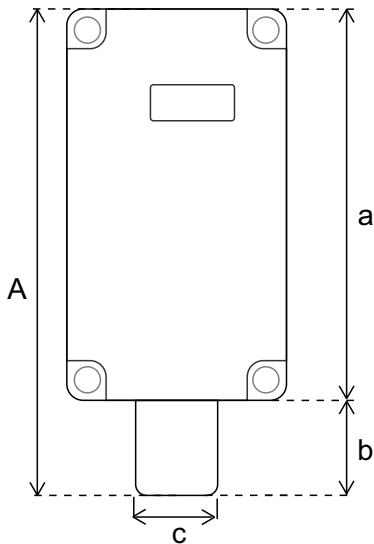


## OS-412 // PORTABLE OXYGEN (O<sub>2</sub>) SENSOR

- Accurate and Precise Measuring
- Internal Battery
- Durable and Handy Design
- 2 Years Sensor Operating Life
- Easy Replaceable Sensor
- IP 67 Plastic Case (Not Including Sensor)



### TECHNICAL SPECIFICATIONS



Product Informations	
Product Name	OS-412 Portable Oxygen (O <sub>2</sub> ) Sensor
Input	12 V DC

Sensor	Measuring Range	Sensitivity	Accuracy
Oxygen (O <sub>2</sub> )	0-25 % VOL	± 0.1 % VOL	± 1 % VOL

Dimensions					
A	B	C	a	b	c
139 mm	65 mm	40 mm	115 mm	24 mm	24 mm



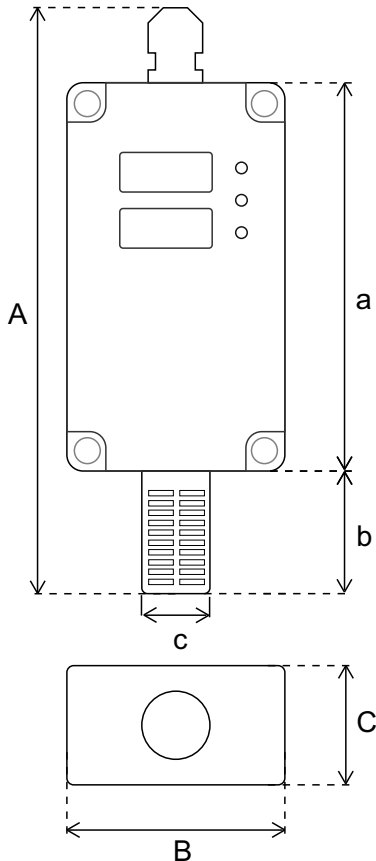


## SR-411 // TEMPERATURE & HUMIDITY CONTROL DEVICE

- Accurate and Precise Measuring
- 2 Relay Outputs
- Buzzer (Optional)
- Long Operating Life
- Cleanable Filter
- Easy Assembling
- Adjustable Relay Sensitivity



### TECHNICAL SPECIFICATIONS



Product Informations	
Product Name	SR-411 Temperature & Humidity Control Device
Input	12-24 V DC
Output	Relay (2A)

Sensor	Measuring Range	Sensitivity	Accuracy
Temperature	(-20) - (+60)°C	± 0,1 °C	± 0,3 °C
Humidity	0 - 100 %	± % 1	± % 3

Dimensions					
A	B	C	a	b	c
172 mm	65 mm	40 mm	115 mm	36 mm	20 mm

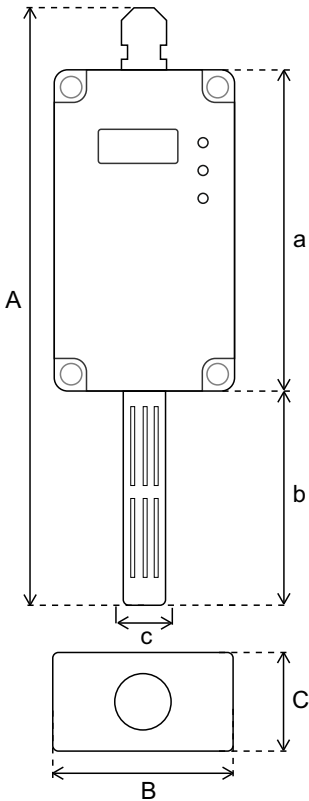


## KR-411 // CARBON DIOXIDE (CO<sub>2</sub>) CONTROL DEVICE

- Accurate and Precise Measuring
- 1 Relay Output
- Buzzer (Optional)
- Long Operating Life
- Cleanable Filter
- Easy Assembling
- Adjustable Relay Sensitivity



### TECHNICAL SPECIFICATIONS



Product Informations	
Product Name	KR-411 Carbon Dioxide (CO <sub>2</sub> ) Control Device
Input	12-24 V DC
Output	Relay (2A)

Sensor	Measuring Range	Sensitivity	Accuracy
Carbon Dioxide (CO <sub>2</sub> )	0 - 5.000 ppm 0 - 10.000 ppm	± 10 ppm	± 50 ppm+%2

Dimensions					
A	B	C	a	b	c
215 mm	65 mm	40 mm	115 mm	78 mm	16 mm



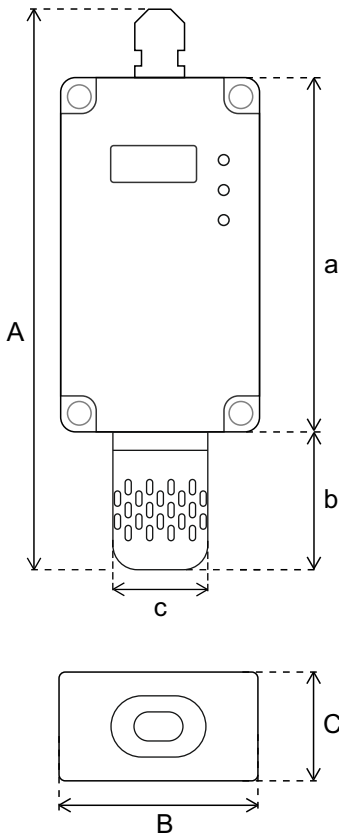


## KR-415 // CARBON DIOXIDE (CO<sub>2</sub>) CONTROL DEVICE

- Accurate and Precise Measuring
- 1 Relay Output
- Buzzer (Optional)
- Long Operating Life
- Cleanable Filter
- Easy Assembling
- Adjustable Relay Sensitivity



### TECHNICAL SPECIFICATIONS



Product Informations	
Product Name	KR-415 Carbon Dioxide (CO <sub>2</sub> ) Control Device
Input	12-24 V DC
Output	Relay (2A)

Sensor	Measuring Range	Sensitivity	Accuracy
Carbon Dioxide (CO <sub>2</sub> )	0 - 5.000 ppm 0 - 10.000 ppm	± 10 ppm	± 50 ppm+%/2

Dimensions					
A	B	C	a	b	c
182 mm	65 mm	40 mm	115 mm	45 mm	31 mm



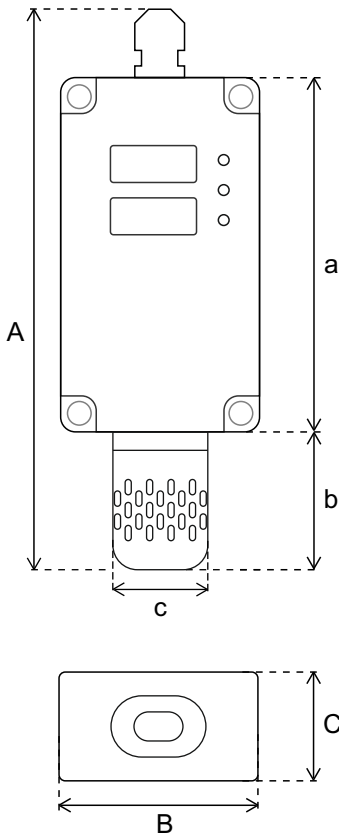


## KR-416 // HUMIDITY & CARBON DIOXIDE (CO<sub>2</sub>) CONTROL DEVICE

- Accurate and Precise Measuring
- 2 Relay Output
- Buzzer (Optional)
- Long Operating Life
- Cleanable Filter
- Easy Assembling
- Adjustable Relay Sensitivity



### TECHNICAL SPECIFICATIONS



Product Informations	
Product Name	KR-416 Humidity & Carbon Dioxide (CO <sub>2</sub> ) Control Device
Input	12-24 V DC
Output	Relay (2A)

Sensor	Measuring Range	Sensitivity	Accuracy
Carbon Dioxide (CO <sub>2</sub> )	0-5.000 ppm / 0-10.000 ppm	± 10 ppm	± 50 ppm+%/2
Humidity	0 - 100 %	± % 1	± % 3

Dimensions					
A	B	C	a	b	c
182 mm	65 mm	40 mm	115 mm	45 mm	31 mm



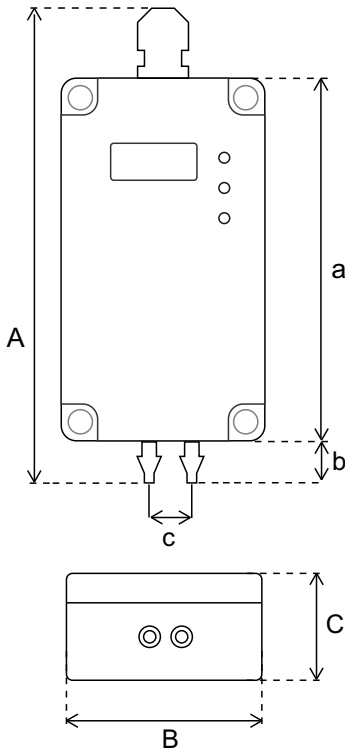


## BR-411 // DIFFERENTIAL PRESSURE CONTROL DEVICE

- Accurate and Precise Measuring
- 1 Relay Output
- Buzzer (Optional)
- Durable and Handy Design
- Long Operating Life
- Easy Assembling
- Adjustable Relay Sensitivity



### TECHNICAL SPECIFICATIONS



Product Informations	
Product Name	BR-411 Differential Pressure Control Device
Input	12-24 V DC
Output	Relay (2A)

Sensor	Measuring Range	Sensitivity	Accuracy
Pressure	0-100 Pa / 0-125 Pa (-125) - (+125) Pa (-500) - (+500) Pa	± 1 Pa	± %3

Dimensions					
A	B	C	a	b	c
147 mm	65 mm	40 mm	115 mm	10 mm	12 mm



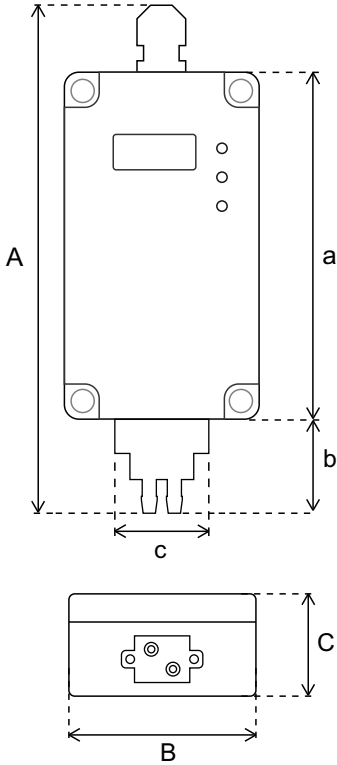


## BR-415 // DIFFERENTIAL PRESSURE CONTROL DEVICE

- Accurate and Precise Measuring
- 1 Relay Output
- Buzzer (Optional)
- Durable and Handy Design
- Long Operating Life
- Easy Assembling
- Adjustable Relay Sensitivity



### TECHNICAL SPECIFICATIONS



Product Informations	
Product Name	BR-415 Differential Pressure Control Device
Input	12-24 V DC
Output	Relay (2A)

Sensor	Measuring Range	Sensitivity	Accuracy
Pressure	0-1.000 Pa 0-5.000 Pa 0-10.000 Pa	± 10 Pa	± %0,5

Dimensions					
A	B	C	a	b	c
165 mm	65 mm	40 mm	115 mm	28 mm	28 mm





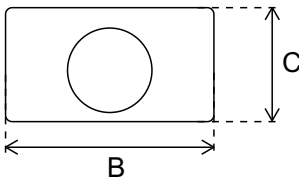
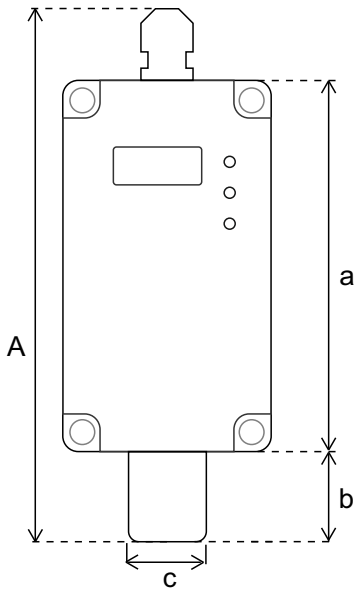


## AR-411 // AMMONIA (NH<sub>3</sub>) CONTROL DEVICE

- Accurate and Precise Measuring
- 1 Relay Output
- Buzzer (Optional)
- 2 Years Sensor Operating Life
- Easy Replaceable Sensor
- Easy Assembling
- Adjustable Relay Sensitivity



### TECHNICAL SPECIFICATIONS



Product Informations	
Product Name	AR-411 Ammonia (NH <sub>3</sub> ) Control Device
Input	12-24 V DC
Output	Relay (2A)

Sensor	Measuring Range	Sensitivity	Accuracy
Ammonia (NH <sub>3</sub> )	0-100 ppm	± 1 ppm	± 2 ppm

Dimensions					
A	B	C	a	b	c
161 mm	65 mm	40 mm	115 mm	24 mm	24 mm

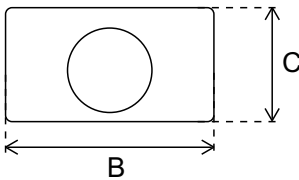
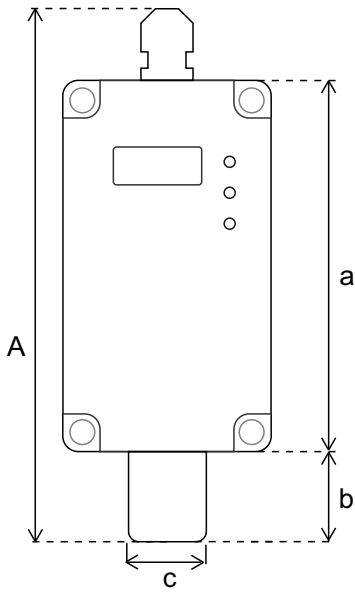


## ER-411 // ETHYLENE (C<sub>2</sub>H<sub>4</sub>) CONTROL DEVICE

- Accurate and Precise Measuring
- 1 Relay Output
- Buzzer (Optional)
- 2 Years Sensor Operating Life
- Easy Replaceable Sensor
- Easy Assembling
- Adjustable Relay Sensitivity



### TECHNICAL SPECIFICATIONS



Product Informations	
Product Name	ER-411 Ethylene (C <sub>2</sub> H <sub>4</sub> ) Control Device
Input	12-24 V DC
Output	Relay (2A)

Sensor	Measuring Range	Sensitivity	Accuracy
Ethylene (C <sub>2</sub> H <sub>4</sub> )	0-10 ppm / 0-100 ppm	± 0,1 ppm	± 1 ppm

Dimensions					
A	B	C	a	b	c
161 mm	65 mm	40 mm	115 mm	24 mm	24 mm

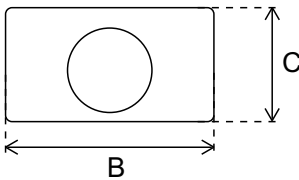
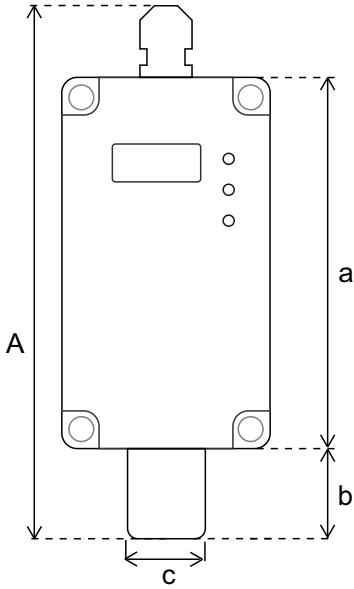


## CR-411 // CARBON MONOXIDE (CO) CONTROL DEVICE

- Accurate and Precise Measuring
- 1 Relay Output
- Buzzer (Optional)
- 2 Years Sensor Operating Life
- Easy Replaceable Sensor
- Easy Assembling
- Adjustable Relay Sensitivity



### TECHNICAL SPECIFICATIONS



Product Informations	
Product Name	CR-411 Carbon Monoxide (CO) Control Device
Input	12-24 V DC
Output	Relay (2A)

Sensor	Measuring Range	Sensitivity	Accuracy
Carbon Monoxide (CO)	0-1000 ppm	± 1 ppm	± 5 ppm

Dimensions					
A	B	C	a	b	c
161 mm	65 mm	40 mm	115 mm	24 mm	24 mm

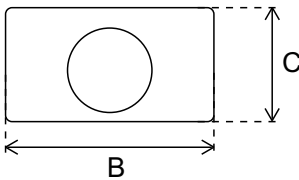
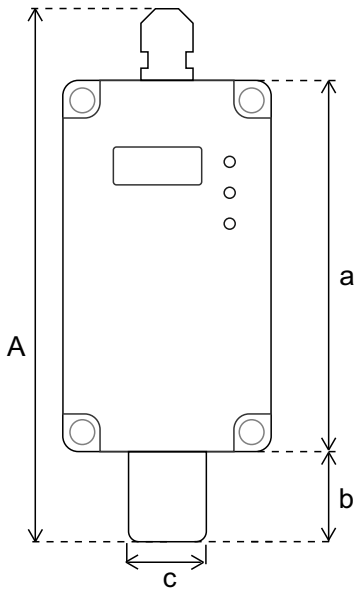


## OR-411 // OXYGEN (O<sub>2</sub>) CONTROL DEVICE

- Accurate and Precise Measuring
- 1 Relay Output
- Buzzer (Optional)
- 2 Years Sensor Operating Life
- Easy Replaceable Sensor
- Easy Assembling
- Adjustable Relay Sensitivity



### TECHNICAL SPECIFICATIONS



Product Informations	
Product Name	OR-411 Oxygen (O <sub>2</sub> ) Control Device
Input	12-24 V DC
Output	Relay (2A)

Sensor	Measuring Range	Sensitivity	Accuracy
Oxygen (O <sub>2</sub> )	0-25 % VOL	± 0.1 % VOL	± 1 % VOL

Dimensions					
A	B	C	a	b	c
161 mm	65 mm	40 mm	115 mm	24 mm	24 mm



## SPARE PARTS & ACCESSORIES



**AE-321// STAINLESS SENSOR MODULE**

Dust Protection

Stainless Material

Shielded Cable 1-10m



**AE-322 // STAINLESS DUCT TYOE PROBE**

Stainless Material

Probe Diameter 15 mm, Length 195 mm

Shielded Cable 1-10m



**AE-323 // STAINLESS SCREW TYPE PROBE**

Stainless Material

Probe Diameter 15 mm, Length 195 mm

Shielded Cable 1-10m



**AE-331// PLASTIC SENSOR MODULE**

Dust Protection

Plastic Material

Shielded Cable 1-10m



**AE-332// PLASTIC SENSOR WALL MODULE**

Dust Protection

Plastic Material

Shielded Cable 1-10m



**AE-333// P. SENSOR CHANNEL MODULE**

Dust Protection

Plastic Material

Shielded Cable 1-10m





## SPARE PARTS & ACCESSORIES



**AE-341// CO<sub>2</sub> SENSOR WALL MODULE**

Dust Protection

Plastic Material

Shielded Cable 1-10m



**AE-342// CO<sub>2</sub> SENSOR CHANNEL MODULE**

Dust Protection

Plastic Material

Shielded Cable 1-10m



**AE-351// CO<sub>2</sub> SENSOR WALL MODULE**

Dust Protection

Plastic Material

Shielded Cable 1-10m

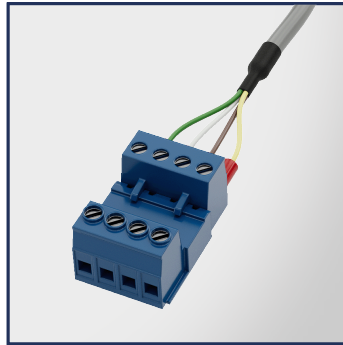


**AE-501 // IP 67 SOCKET**

Dust and Humidity Protection

Shielded Cable

Cable Length 1m



**AE-502// CONNECTION TERMINAL**

Easy and Fast Assembling

Shielded Cable

Cable Length 30 cm



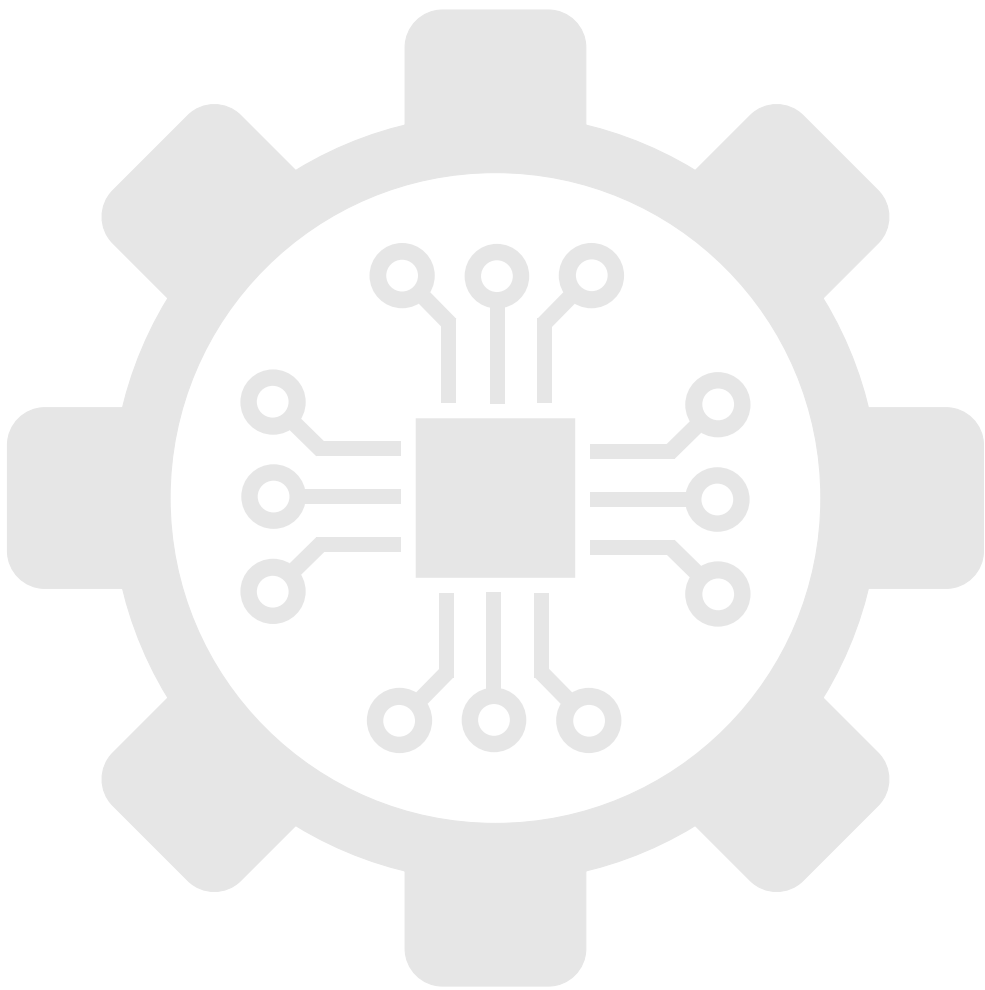
**AE-903// D. PRESSURE PROBE SET**

2 Pressure Probes

Probe Diameter 6.7mm, Length 98 mm

Hose Length 2m





“ACCURATE MEASUREMENT, ACCURATE CONTROL”



INDUSTRIAL SENSOR GROUP

“ACCURATE MEASUREMENT, ACCURATE CONTROL”



EMS KONTROL ELEKTRONİK MAKİNE SANAYİ VE TİCARET A.Ş.



+90 232 431 21 21



info@emskontrol.com



Halkapınar Mah. 1376 Sok. Boran Plaza No:1/L Konak/İZMİR